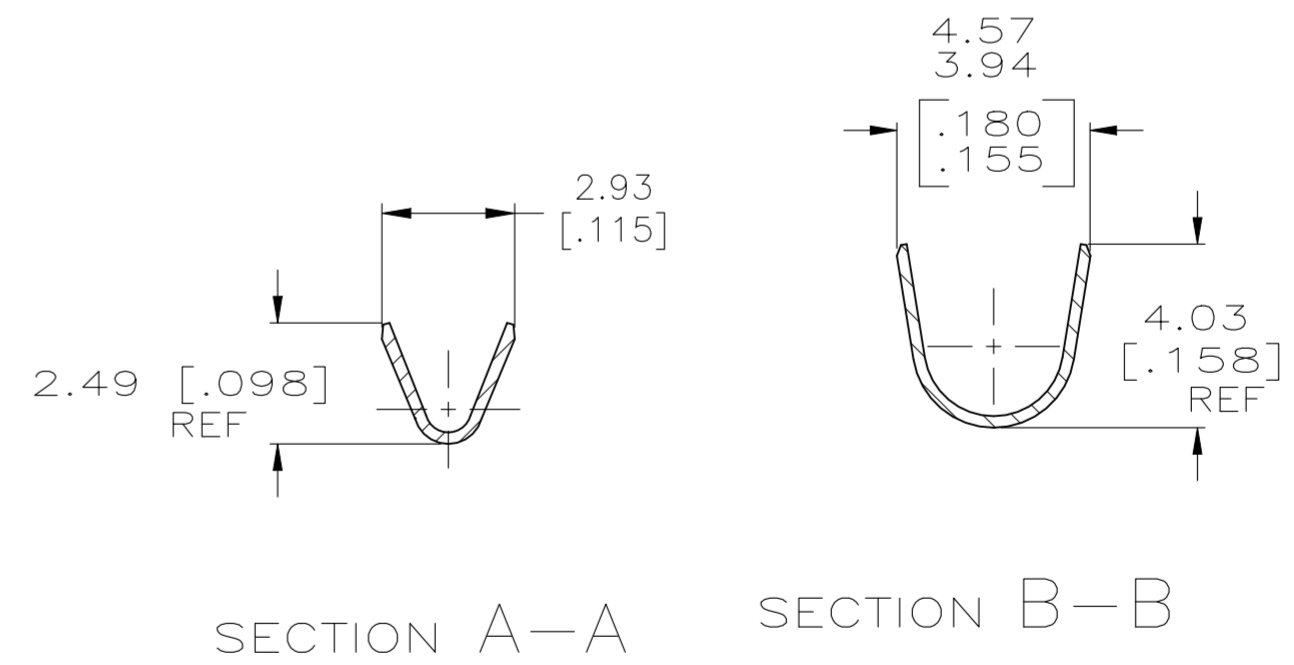
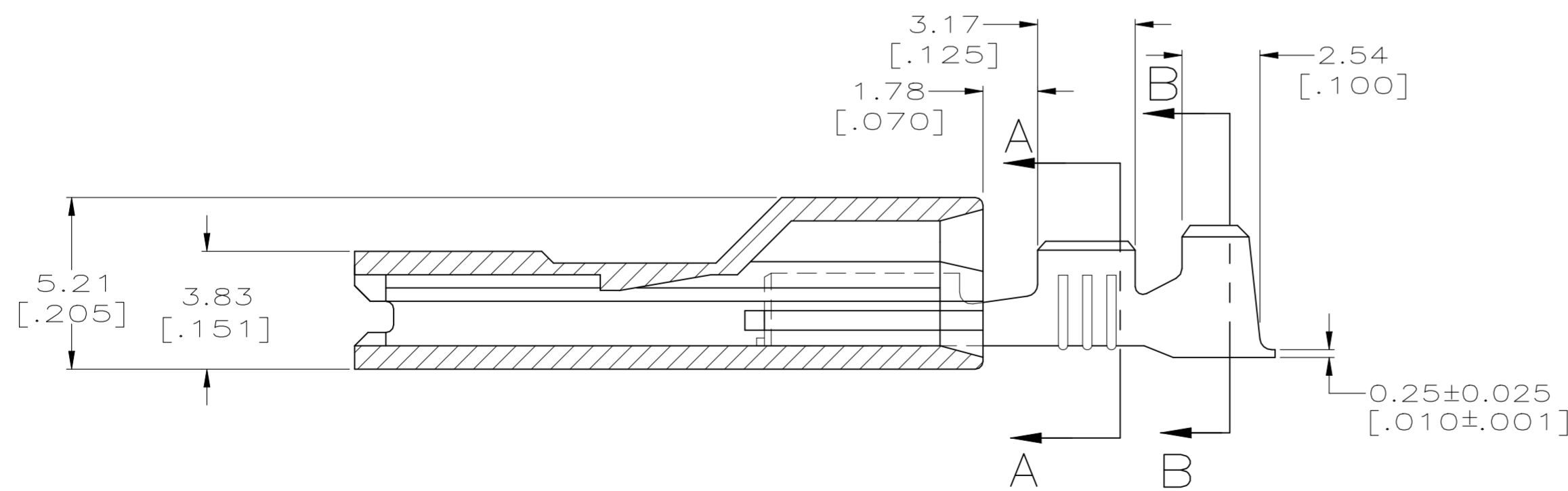
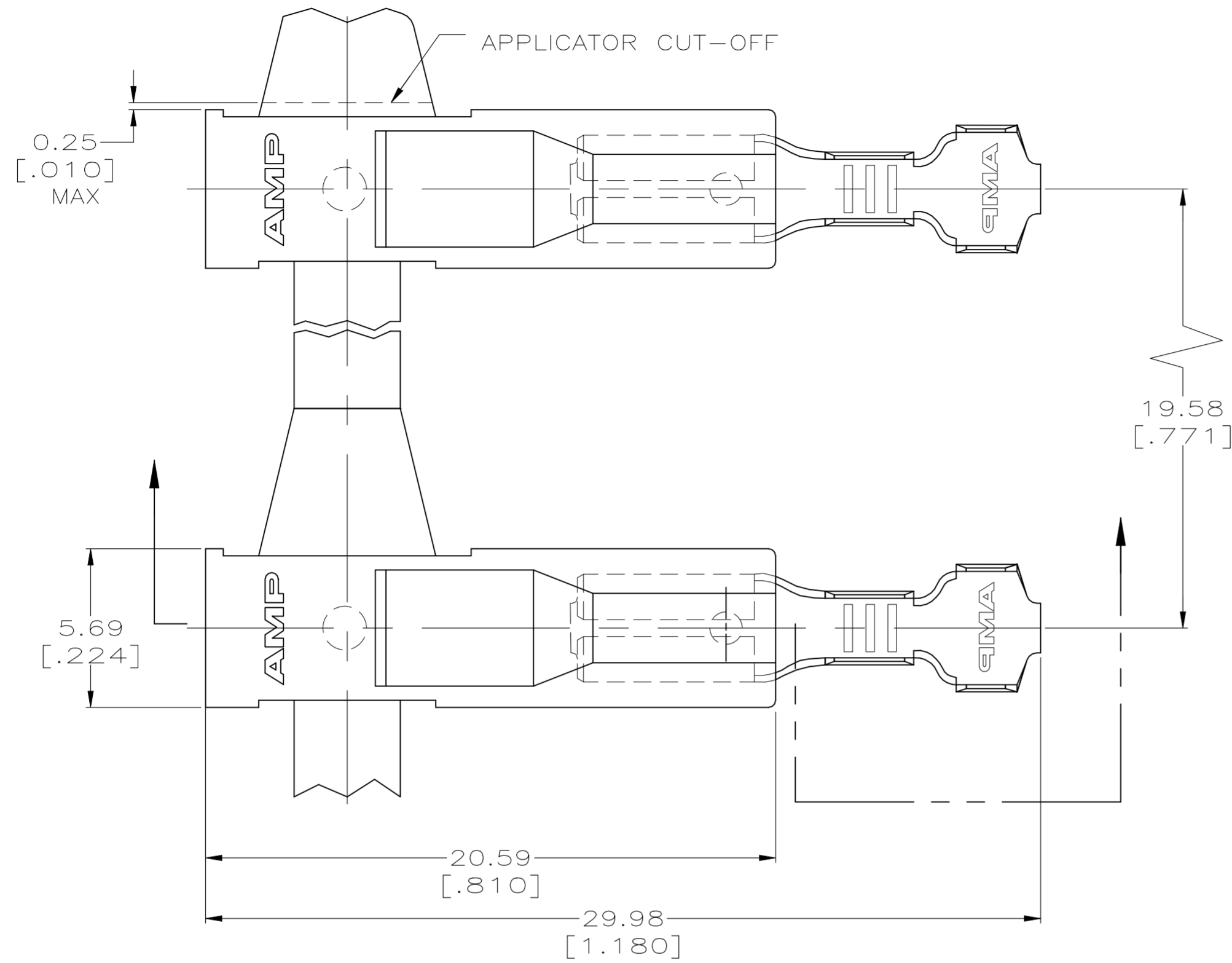


REVISIONS					
P	LTR	DESCRIPTION	DATE	DWN	APVD
G1		REVISED PER ECR-22-160893	15DEC2022	DB	BW



- 1 MATING TAB THK IS 0.51±0.025[.020±.001]
- 2 WIRE SIZE IS [#22-#18] AWG.
- 3 INSULATION RANGE IS 2.03-3.05[.080-.120] DIA.
- △4 MATERIAL - TERMINAL - BRASS  
HOUSING - 6/6 NYLON
- △5 FINISH - TERMINAL - SEE TABLE  
HOUSING - WHITE
- △6 PREPRODUCTION - FASR REQ

THIS DRAWING IS A CONTROLLED DOCUMENT.		DWN JR RUTH 16MAY01	TIN PLATE		△6 521408-2	
DIMENSIONS: mm [INCHES]		CHK MS FEHER 16MAY01	TERMINAL FINISH		△5 PART NO.	
TOLERANCES UNLESS OTHERWISE SPECIFIED: 0 PLC ± - 1 PLC ± - 2 PLC ± 0.25 [.010] 3 PLC ± - 4 PLC ± - ANGLES ± -		APVD J HUMMEL 16MAY01	NAME		TE Connectivity	
MATERIAL △4		FINISH △5	PRODUCT SPEC 108-1285		ASSEMBLY, RECEPTACLE, ULTRA-POD, 2.79 [.110] SERIES	
		APPLICATION SPEC 114-2124	SIZE A2	CAGE CODE 00779	DRAWING NO C=521408	RESTRICTED TO -
		WEIGHT 0.000000	SCALE 5:1	SHEET 1 of 1	REV G1	
		CUSTOMER DRAWING				