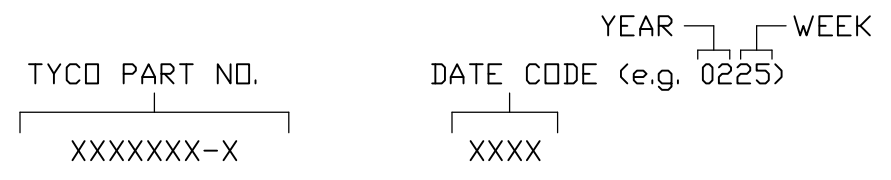


THIS DRAWING IS UNPUBLISHED. RELEASED FOR PUBLICATION  
 © COPYRIGHT - BY TYCO ELECTRONICS CORPORATION. ALL RIGHTS RESERVED.

LOC	DIST	REVISIONS					
GP	00	P	LTR	DESCRIPTION	DATE	DWN	APVD
			A	NEW RELEASE	17MAY06	TK	SF

5. REFERENCE ELCON PART NUMBER: 296-0093-01100

4 ITEMS PROVIDED TO THIS SPECIFICATION TO BE PERMANENTLY IDENTIFIED PER THE FOLLOWING IDENTIFIER:



3 RECOMMENDED MOUNTING HARDWARE: TO BE ORDERED SEPARATELY. SHOWN FOR REFERENCE ONLY.  
 FOR PANEL MOUNTING, USE:  
 1650402-1: SHOULDER SCREW, #8-32  
 1650589-1: SHOULDER SCREW, M4 X 0.7  
 FOR PCB MOUNTING, USE COMMERCIALY AVAILABLE SCREW AND WASHER (IF REQUIRED).

2. MATERIALS:  
 HOUSINGS: THERMOPLASTIC, GLASS REINFORCED, UL94V-0 FLAMMABILITY RATED, COLOR-BLACK.  
 RETENTION CLIPS: BERYLLIUM COPPER OR STAINLESS STEEL.

1. PART NUMBER CHANGES AND OR DESIGN CHANGES AFFECTING ITEM INTERCHANGEABILITY REQUIRE PRIOR TYCO APPROVAL AND AUTHORIZATION BY REVISION TO THIS DRAWING.

NOTES: UNLESS OTHERWISE SPECIFIED

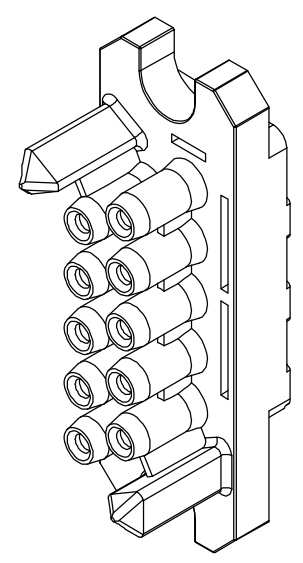
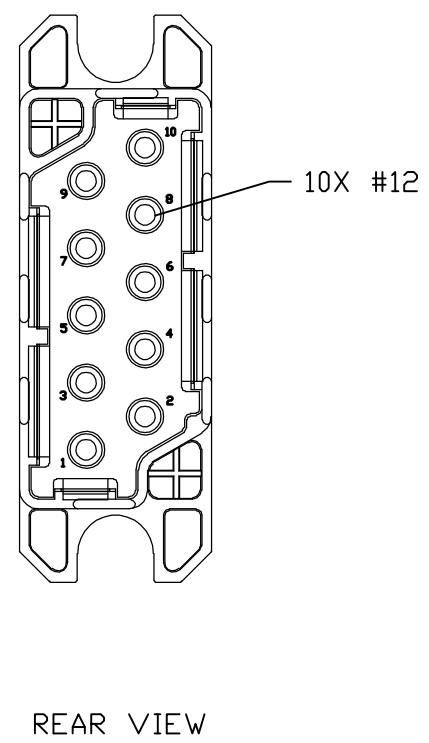
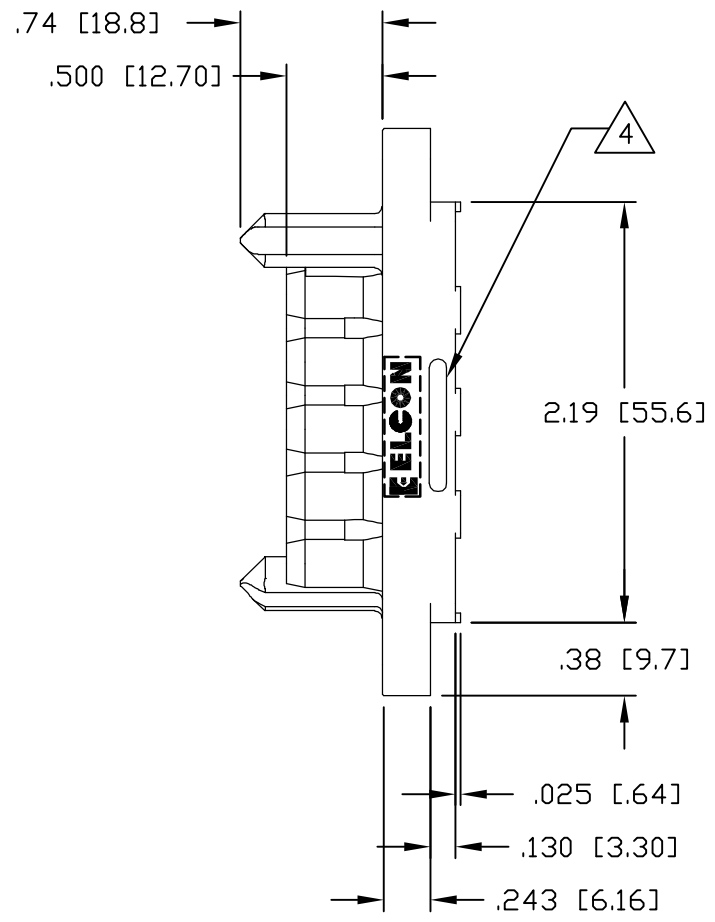
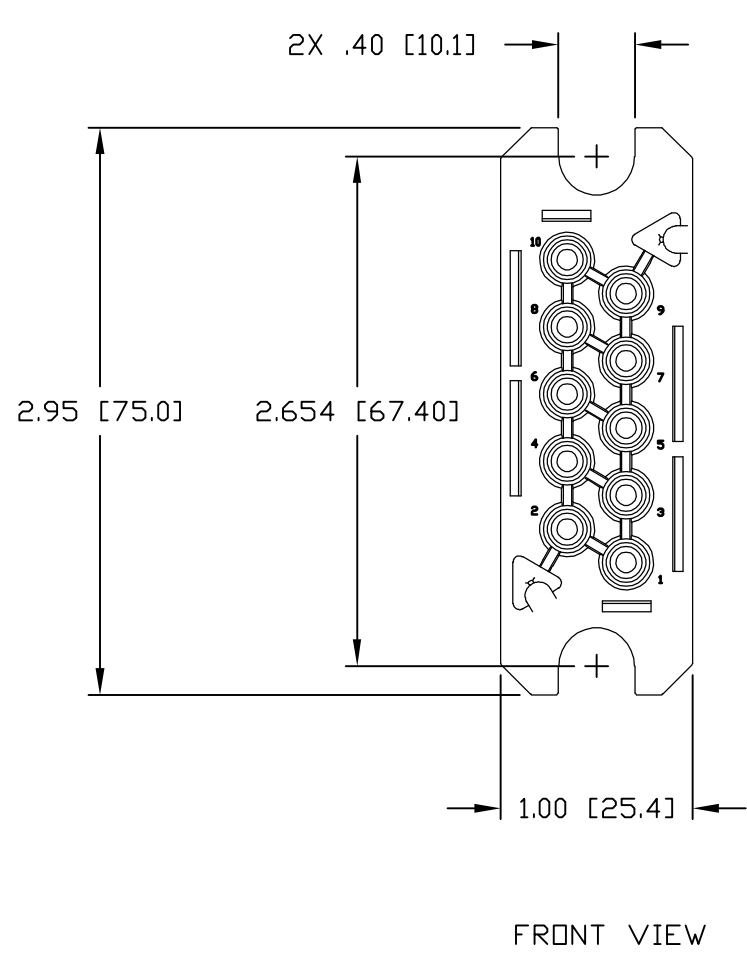
AS SHOWN      1648596-1

ELCON      P10S0 DRAWER

THIS DRAWING IS A CONTROLLED DOCUMENT.		DWN T.KRAYBILL 19MAY2006	Tyco Electronics Corporation Harrisburg, PA 17105-3608				
DIMENSIONS: INCHES		CHK S.FLICKINGER 19MAY06	NAME P10S0 DRAWER CONNECTOR, SOCKET				
		APVD S.FLICKINGER 19MAY06	PRODUCT SPEC				
TOLERANCES UNLESS OTHERWISE SPECIFIED: 0 PLC ± - 1 PLC ± - 2 PLC ± .02 3 PLC ± .010 4 PLC ± - ANGLES ± .5		APPLICATION SPEC		SIZE	CAGE CODE	DRAWING NO	RESTRICTED TO
MATERIAL	FINISH	WEIGHT		A3	00779	C-1648596	-
CUSTOMER DRAWING				SCALE	1:1	SHEET	1 OF 3
						REV	A

THIS DRAWING IS UNPUBLISHED. RELEASED FOR PUBLICATION  
 © COPYRIGHT - BY TYCO ELECTRONICS CORPORATION. ALL RIGHTS RESERVED.

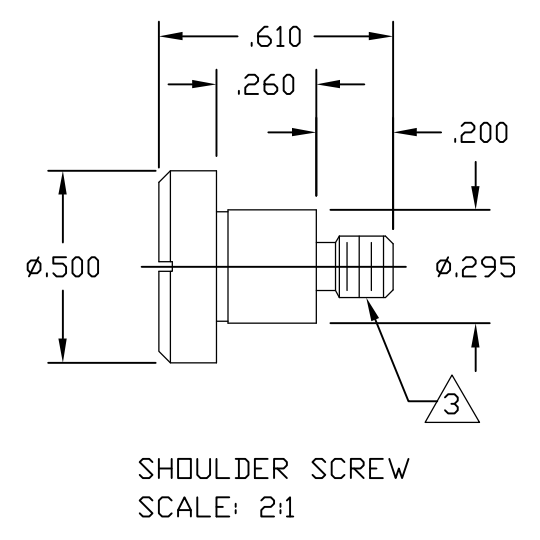
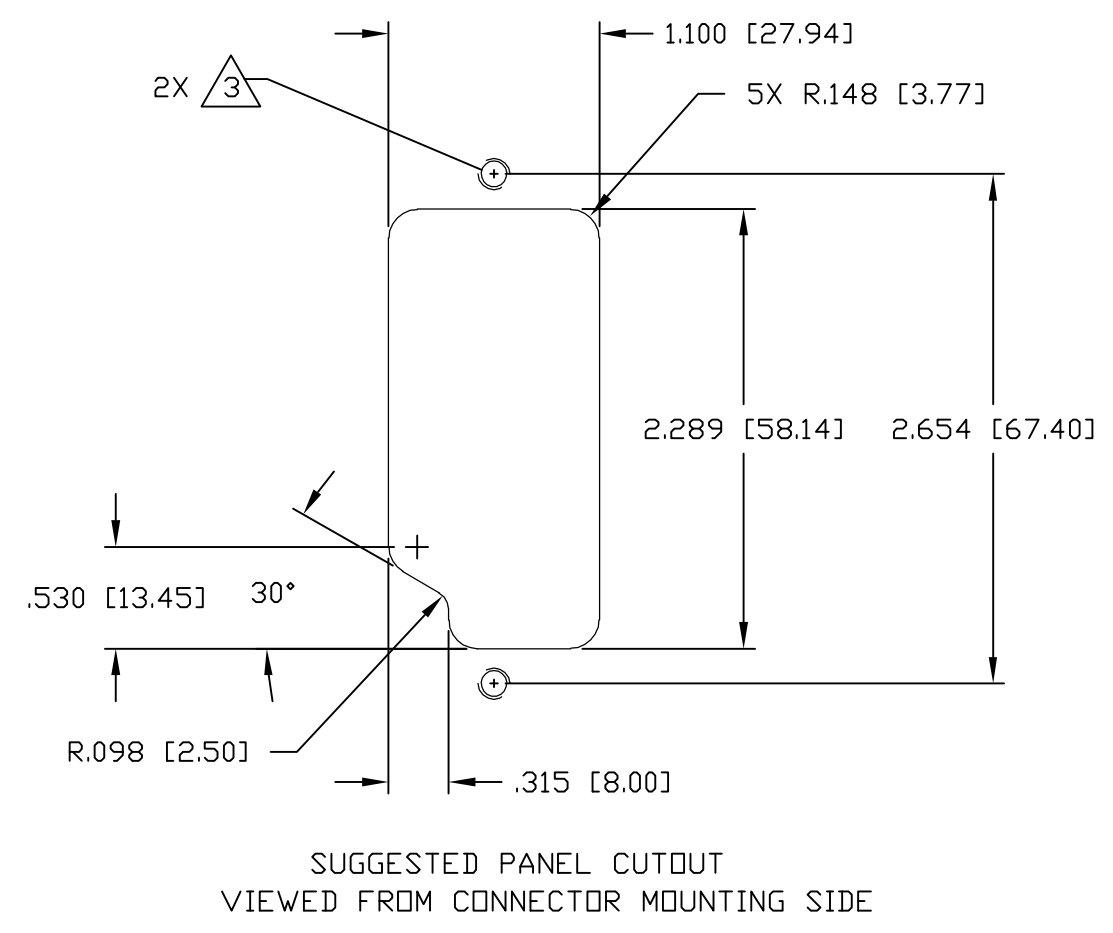
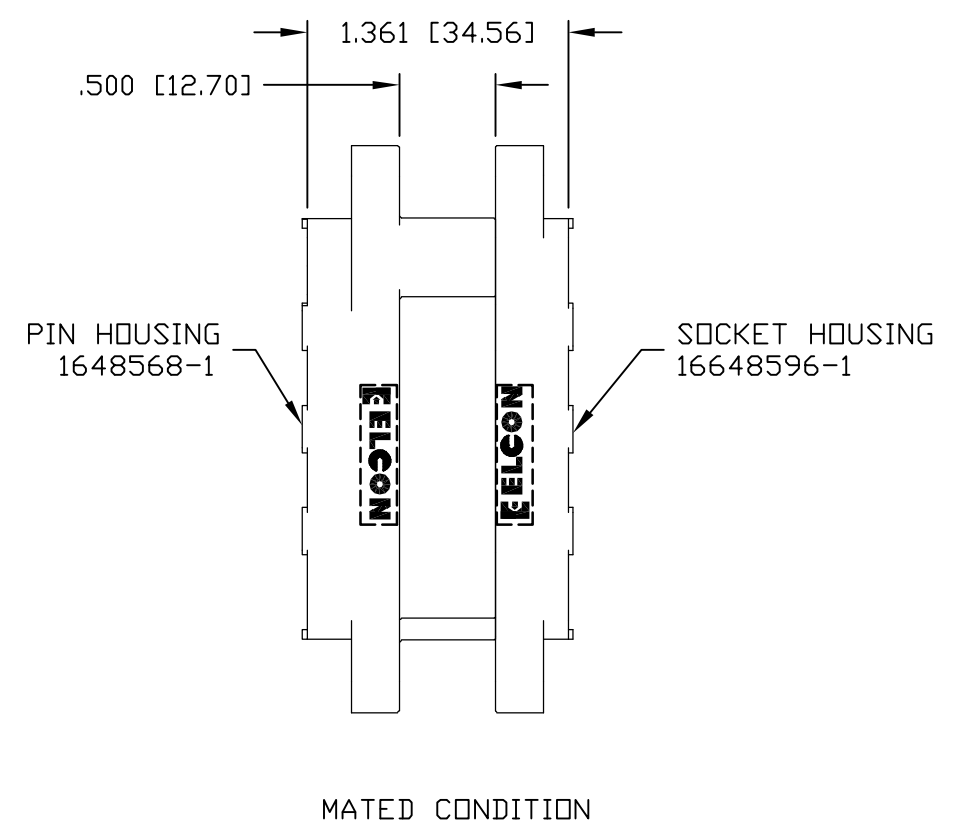
LOC	DIST	REVISIONS					
GP	00	P	LTR	DESCRIPTION	DATE	DWN	APVD
		-		SEE SHEET 1	-	-	-



THIS DRAWING IS A CONTROLLED DOCUMENT.		DWN T.KRAYBILL 19MAY2006	Tyco Electronics Corporation Harrisburg, PA 17105-3608	
DIMENSIONS: INCHES		CHK S.FLICKINGER 19MAY06	NAME	
		APVD S.FLICKINGER 19MAY06	P10S0 DRAWER CONNECTOR, SOCKET	
TOLERANCES UNLESS OTHERWISE SPECIFIED: 0 PLC ± - 1 PLC ± - 2 PLC ± .02 3 PLC ± .010 4 PLC ± - ANGLES ± .5		PRODUCT SPEC -	APPLICATION SPEC -	RESTRICTED TO -
MATERIAL -		FINISH -	WEIGHT -	SIZE A3
		CAGE CODE 00779		DRAWING NO C-1648596
		CUSTOMER DRAWING		SCALE 1:1
		SHEET 2 OF 3		REV A

THIS DRAWING IS UNPUBLISHED. RELEASED FOR PUBLICATION  
 © COPYRIGHT BY TYCO ELECTRONICS CORPORATION. ALL RIGHTS RESERVED.

LOC	DIST	REVISIONS					
GP	00	P	LTR	DESCRIPTION	DATE	DWN	APVD
		-		SEE SHEET 1	-	-	-



THIS DRAWING IS A CONTROLLED DOCUMENT.		DWN T.KRAYBILL 19MAY2006	Tyco Electronics Corporation Harrisburg, PA 17105-3608	
DIMENSIONS: INCHES	TOLERANCES UNLESS OTHERWISE SPECIFIED:	CHK S.FLICKINGER 19MAY06	NAME P10S0 DRAWER CONNECTOR, SOCKET	
	0 PLC ± -	APVD S.FLICKINGER 19MAY06	PRODUCT SPEC	
	1 PLC ± -		APPLICATION SPEC	
	2 PLC ± .02		WEIGHT	-
	3 PLC ± .010		SIZE	A3
	4 PLC ± -		CAGE CODE	00779
	ANGLES ± .5		DRAWING NO	C=1648596
MATERIAL	FINISH		RESTRICTED TO	-
		CUSTOMER DRAWING		SCALE 1:1
		SHEET 3 OF 3		REV A