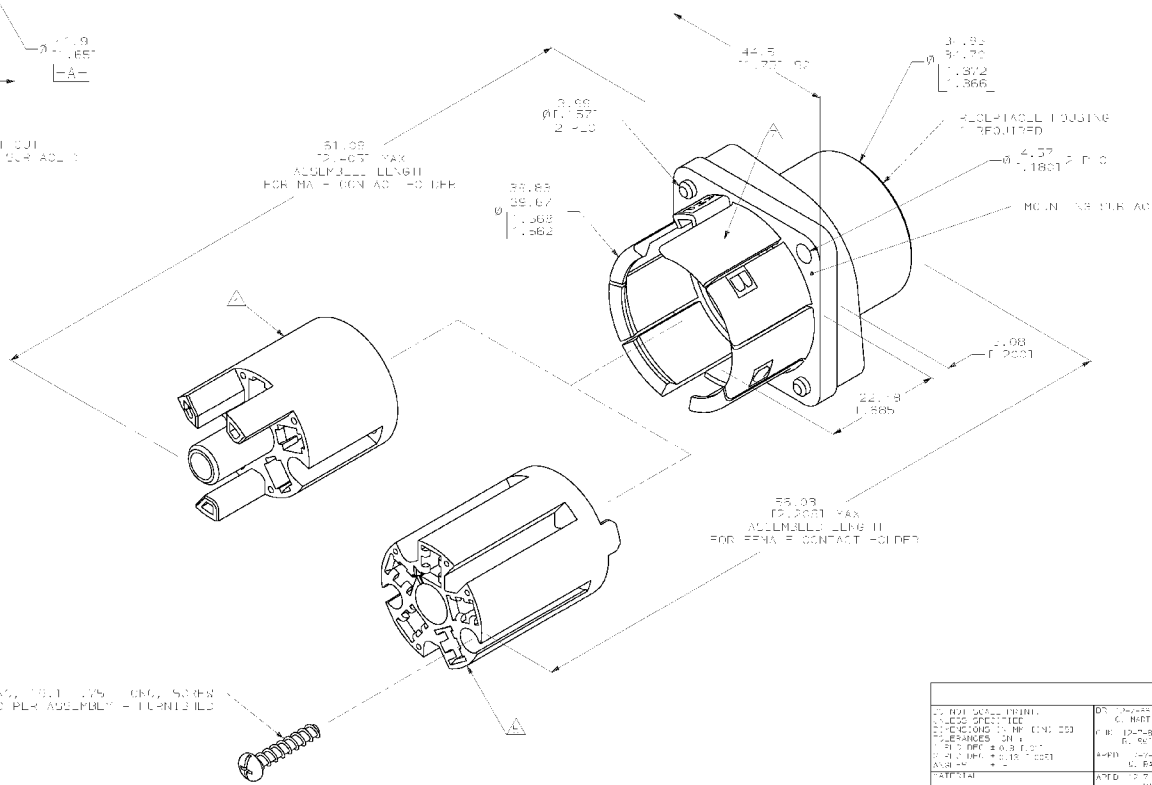


RECOMMENDED MAXIMUM CONTACT RADIUS FROM MOUNTING SURFACE



1-1/4" DIA. RUBBER FOOT (1.75" DIA.) SCREW 2 REQUIRED PER ASSEMBLY - TIGHTENED

- ALL PARTS REQUIRED FOR ASSEMBLY UNLESS OTHERWISE SPECIFIED.
- MATERIAL: THERMOPLASTIC POLYESTER, BLACK
- SAWDRUN APPROXIMATELY SCREWS. IF SCREWS ARE USED AS A GUIDE FOR HOLES, THE HOLES SHOULD BE DRILLED. IF SCREWS SHOULD BE INCREASED APPROPRIATELY.
- WALL CONTACT HOLDER IS REQUIRED.
- WALL CONTACT HOLDER IS REQUIRED.
- DIMENSIONS IN BRACKETS ARE IN INCHES.
- UNIDENTIFIED RESISTANCE COMPONENT YARD AND CSA CERTIFICATION MARK LOCATED OBJECT WITH INDICATED DATA.

770457-2
770457-1
DATE

CONTROL SPECIFICATION CLASS SPECIFICATION DIMENSIONS TO BE (INDICATED) DIMENSIONS TO BE (INDICATED) DIMENSIONS TO BE (INDICATED) DIMENSIONS TO BE (INDICATED)	DRAWING NO. 00775	PART NO. 770457	DATE 012 20	DRAWING NO. 770457	SCALE 1:1
--	----------------------	--------------------	----------------	-----------------------	--------------

