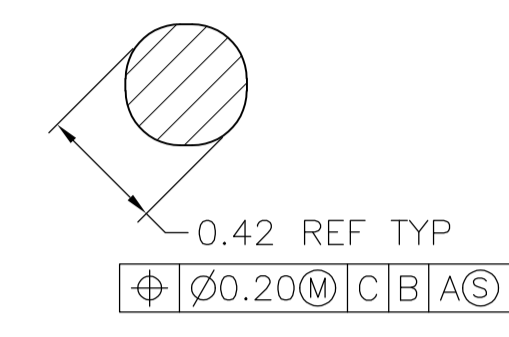
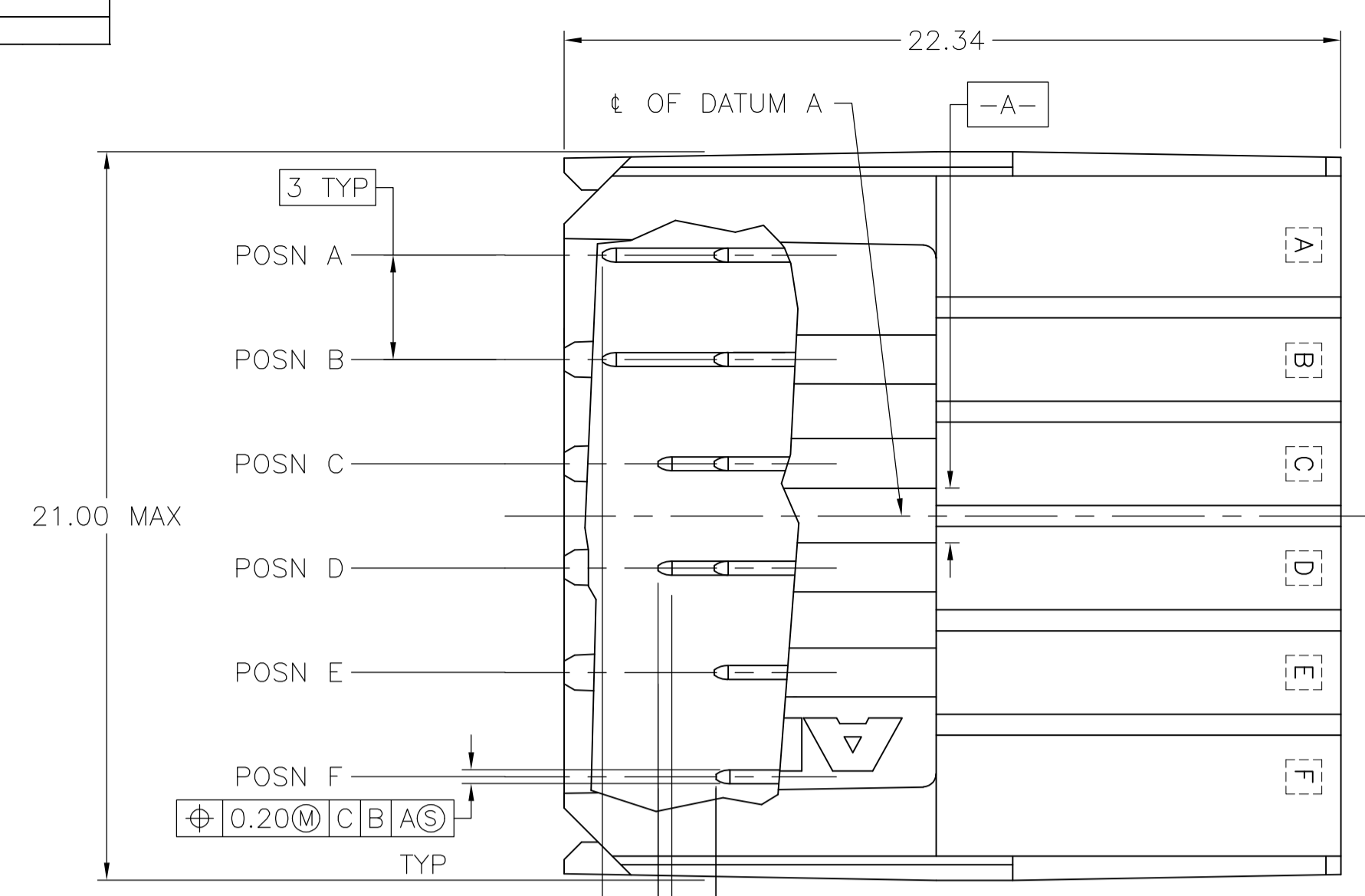
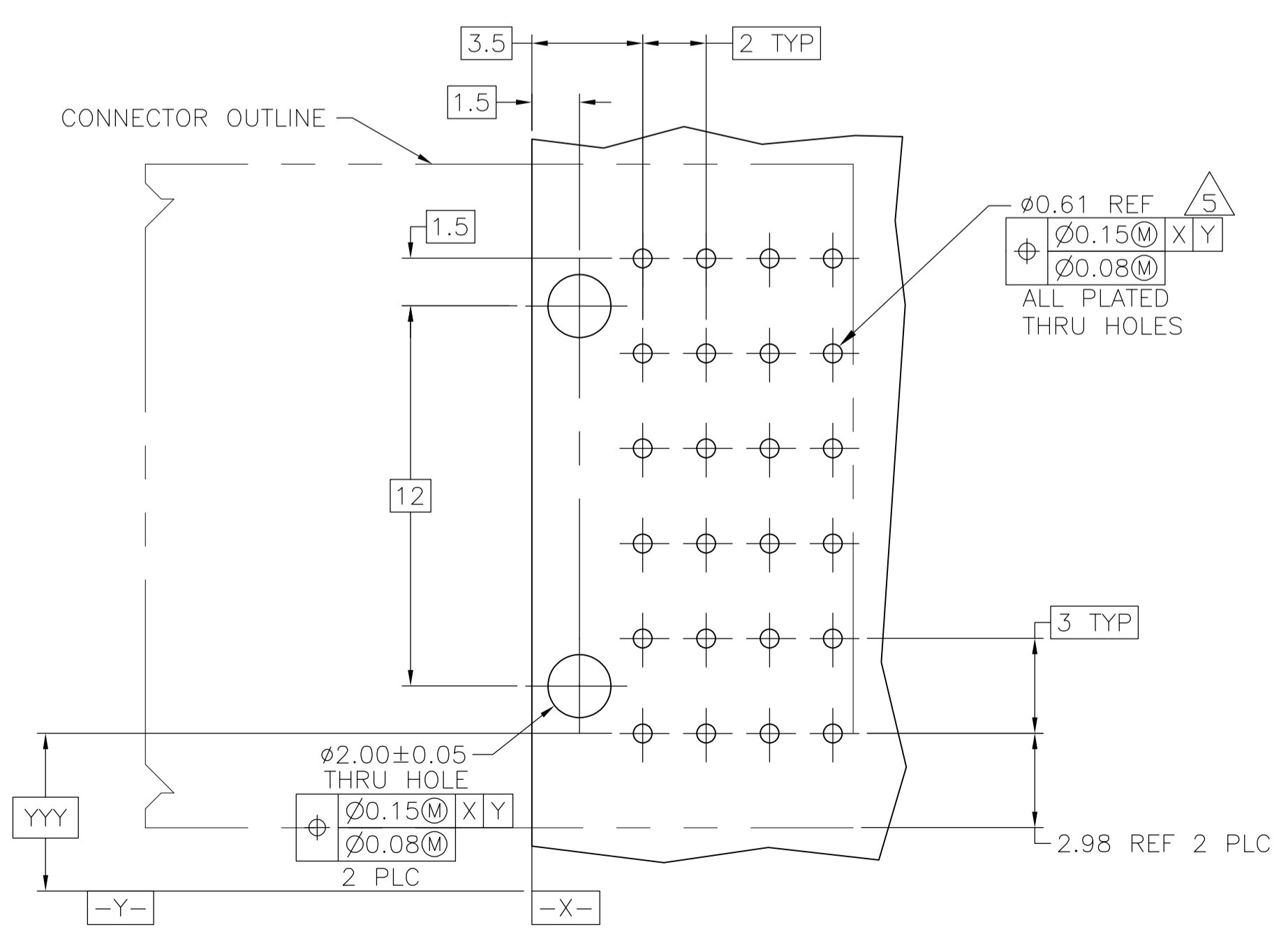
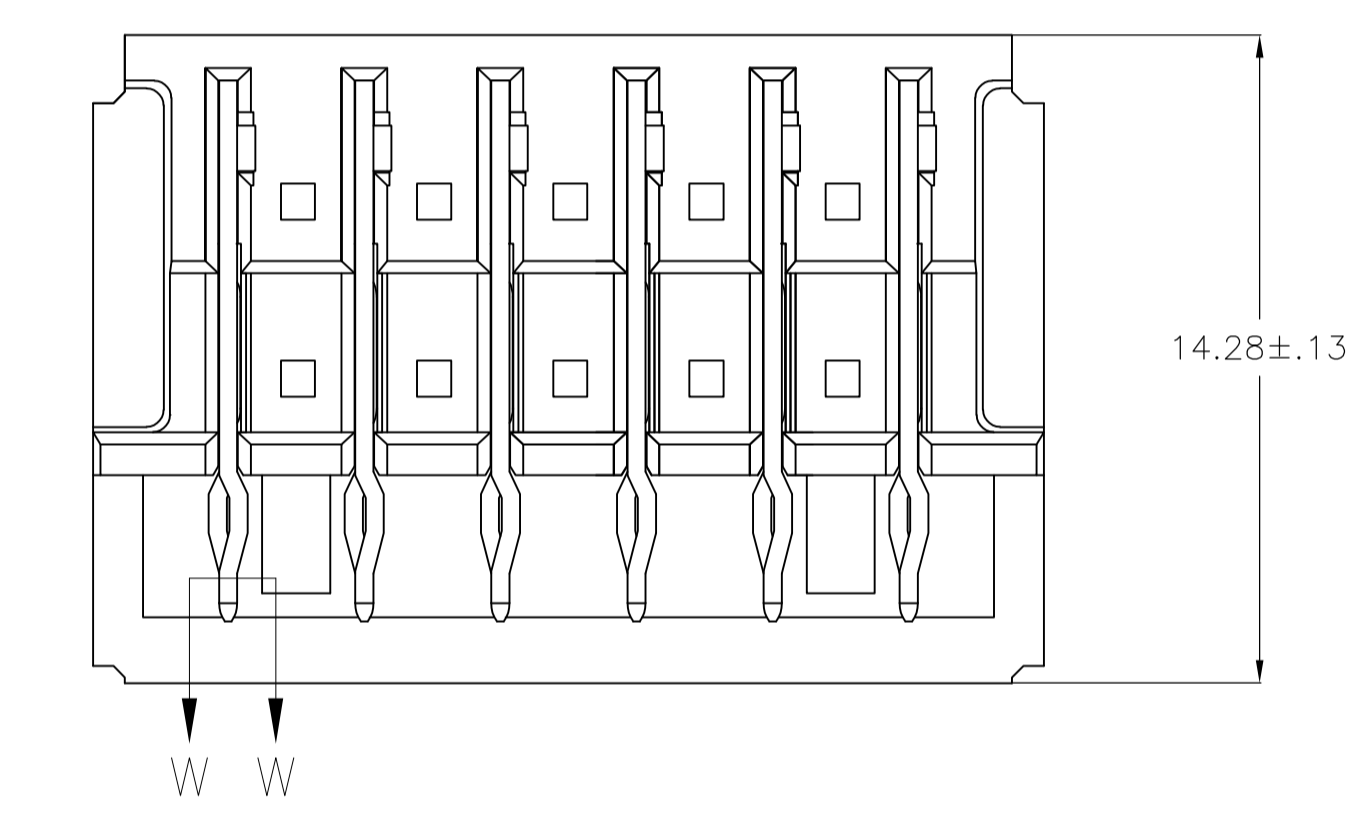
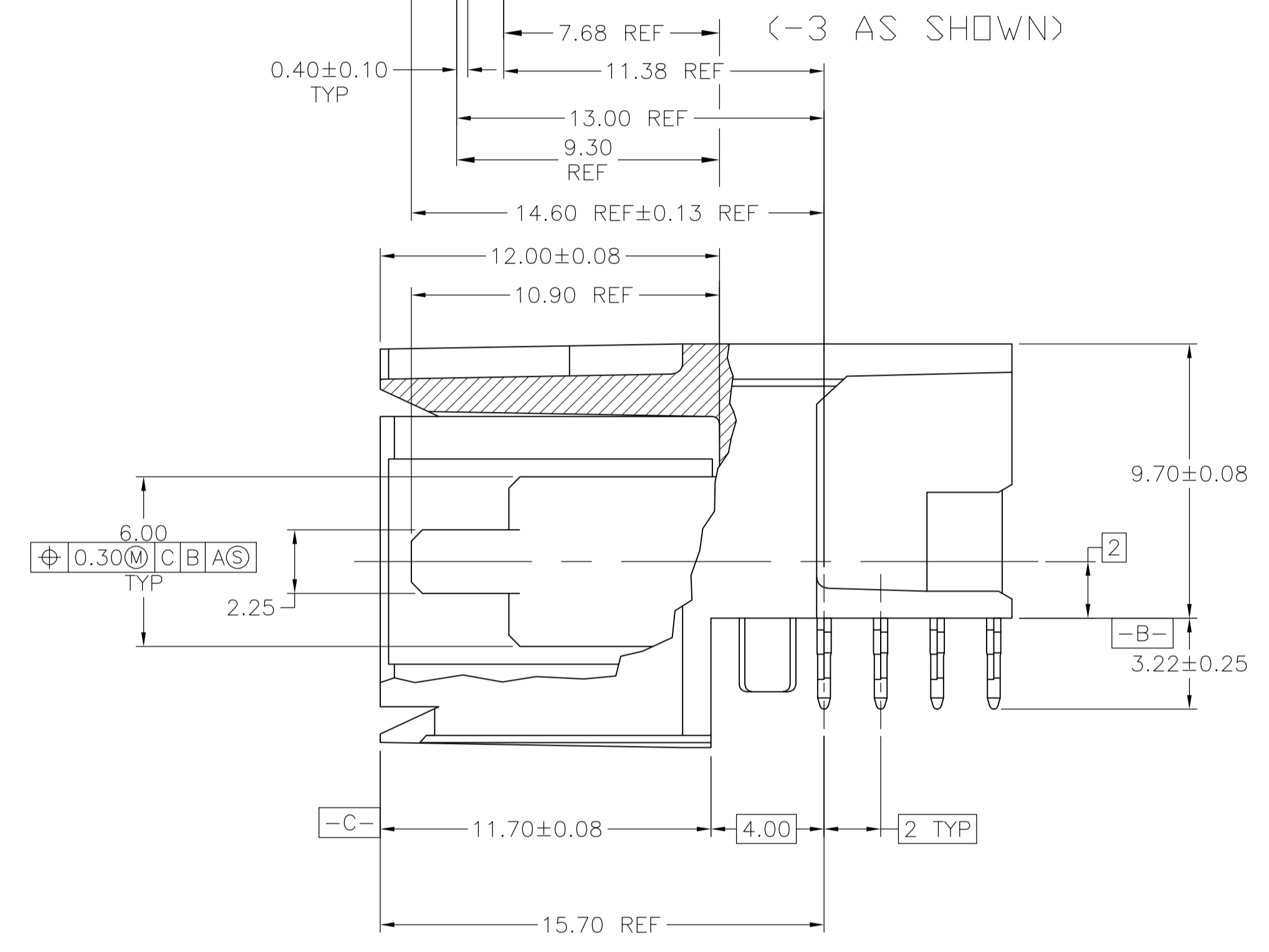
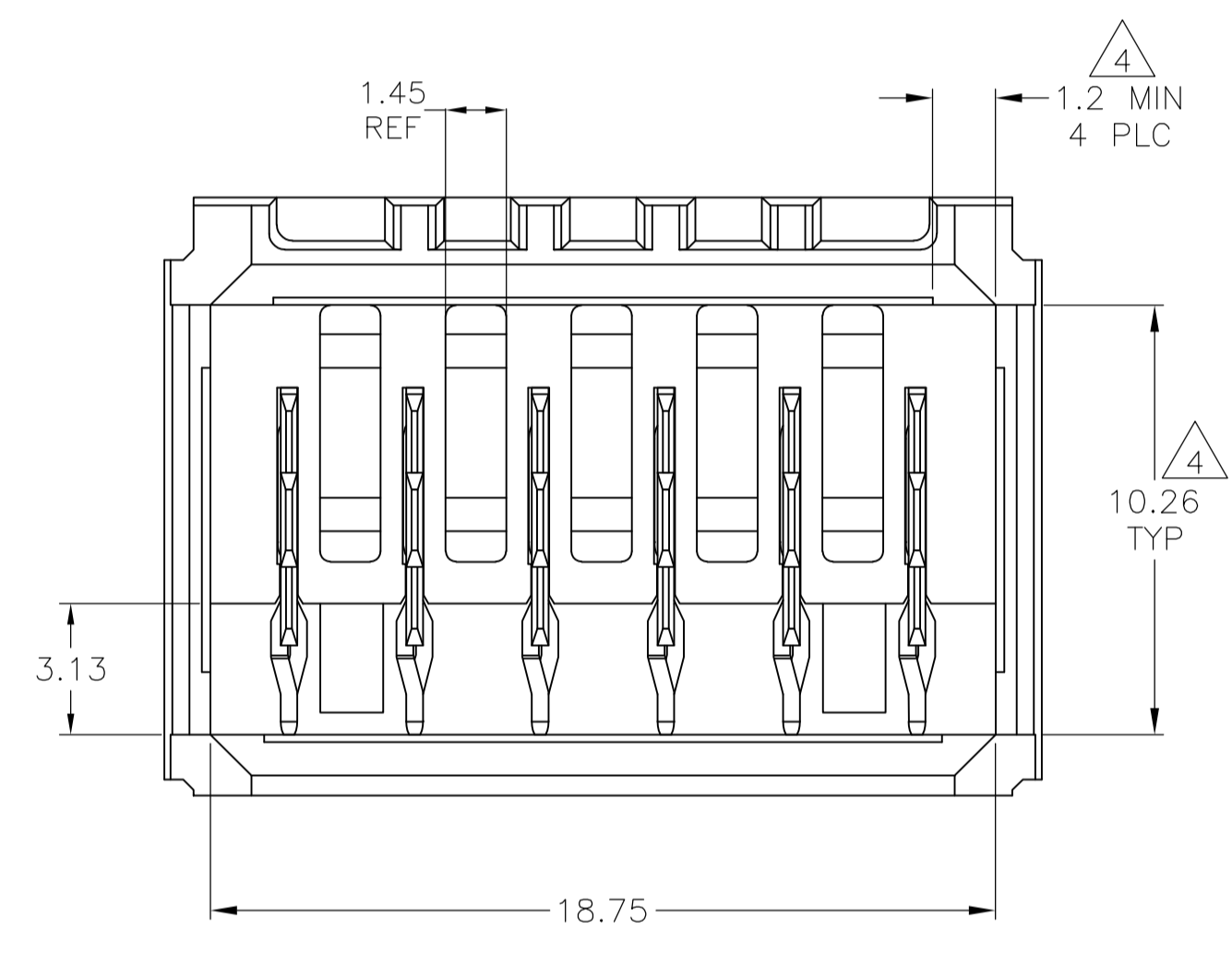


LOC		DIST		REVISIONS			
AD	00	REV	DATE	BY	CHK	APPV	
J		REVISED PER ECO-11-000045	05JAN11	DH		DY	



- 1 MATERIAL: HOUSING: POLYESTER. UL 94V-0 RATED. COLOR: GRAY. CONTACT: PHOSPHOR BRONZE.
- 2 FINISH: CONTACT MATING AREA: 1.27µm MIN GOLD OR 0.08µm MIN GOLD OVER 0.76µm MIN PALLADIUM-NICKEL. ACTION PIN AREA: 0.5µm MIN TIN LEAD PLATE, ALL OVER 1.27µm MIN NICKEL UNDERPLATE.
- 3 FINISH: CONTACT LUBRICATION WITH BELLCORE APPROVED LUBRICANT. TECHNICAL REFERENCE: GR-1217-CORE, ISSUE 1, NOVEMBER 1995.
- 4 THE 10.26±0.13 DIMENSION APPLIES IN THIS AREA.
- 5 REFERENCE APPLICATION SPEC 114-1103 FOR RECOMMENDED PLATED THRU HOLE DIAMETER AND PLATING THICKNESS.
6. CURRENT RATING 10A/CONTACT PER PRODUCT SPEC 108-1651.

SECTION W-W
 SCALE 40:1



FINISH	POSITIONS LOADED WITH 10.90 REF CONTACTS	POSITIONS LOADED WITH 9.30 REF CONTACTS	POSITIONS LOADED WITH 7.68 REF CONTACTS	NO OF LOADED POSITIONS	PART NUMBER
2, 3	D,E,F	-	A,B,C	6	646956-4
2, 3	A,B	C,D	E,F	6	646956-3
2, 3	A,F	B,C,D,E	-	6	646956-2
2, 3	A,B,C,D,E,F	-	-	6	646956-1

THIS DRAWING IS A CONTROLLED DOCUMENT.

DIMENSIONS: mm	TOLERANCES UNLESS OTHERWISE SPECIFIED:	0 PLC ± -	1 PLC ± -	2 PLC ± 0.13	3 PLC ± -	4 PLC ± -	ANGLES ± -
----------------	--	-----------	-----------	--------------	-----------	-----------	------------

MATERIAL: 1 FINISH: 2

THIS DRAWING IS A CONTROLLED DOCUMENT. BY: B. CARDO, CHK: R. PATTERSON, APPV: R. PATTERSON, DATE: 09OCT01, NAME: R. PATTERSON, PRODUCT SPEC: ASSEMBLY, RIGHT ANGLE HEADER, W/ RETENTION PEGS, UNIVERSAL POWER MODULE, SIZE: A1, CAGE CODE: 00779, DRAWING NO: 646956, WEIGHT: -, RESTRICTED TO: CUSTOMER DRAWING, SCALE: 6:1, SHEET: 1 OF 1, REV: J