

## TPS61158 30-V WLED Driver with Integrated Power Diode

### 1 Features

- 2.7-V to 5.5-V Input Voltage Range
- 28-V Open LED Protection (up to 8 LEDs)
- Integrated 0.6-A, 30-V Internal Switch FET and Power Diode
- 750-kHz Switching Frequency
- Flexible Digital and PWM Brightness Control
  - 1-Wire Control Interface (EasyScale™)
  - PWM Dimming Control Interface
- Up to 100:1 PWM Dimming Ratio
- Integrated Loop Compensation
- Built-in Soft Start
- Built-in WLED Open protection
- Thermal Shutdown

### 2 Applications

- Feature Phones
- Smart Phones
- Portable Media Players
- Ultra Mobile Devices
- GPS Receivers
- Backlight for Small and Media Form Factor LCD Displays

### 3 Description

With a 30V-rated integrated switch FET and power diode, the TPS61158 is a boost converter that drives LEDs in series. The boost converter runs at 750-kHz fixed switching frequency to reduce output ripple, improve conversion efficiency, and allows for the use of small external components.

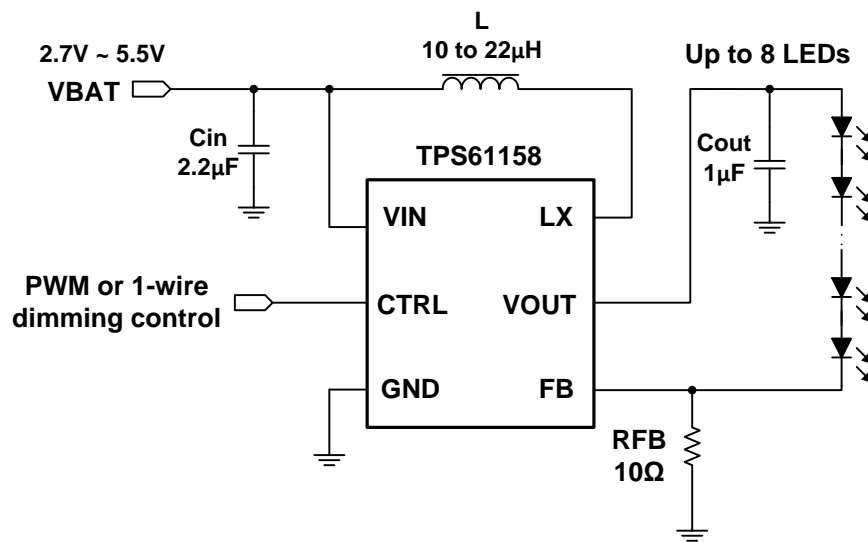
The default white LED current is set with the external sensor resistor RFB, and the feedback voltage is regulated to 200 mV, as shown in [Typical Application](#). During the operation, the LED current can be controlled using the 1-wire digital interface (EasyScale™ protocol) through the CTRL pin. Alternatively, a pulse width modulation (PWM) signal can be applied to the CTRL pin through which the duty cycle determines the feedback reference voltage. In either digital or PWM mode, the TPS61158 does not burst the LED current; therefore, it does not generate audible noises on the output capacitor. For maximum protection, the device features integrated open LED protection that disables the TPS61158 to prevent the output voltage from exceeding the device absolute maximum voltage ratings during open LED conditions.

#### Device Information<sup>(1)</sup>

PART NUMBER	PACKAGE	BODY SIZE (NOM)
TPS61158	WSON (6)	2.00 mm x 2.00 mm

(1) For all available packages, see the orderable addendum at the end of the data sheet.

#### Typical Application



## Table of Contents

<b>1 Features</b> .....	1	7.3 Feature Description.....	8
<b>2 Applications</b> .....	1	7.4 Device Functional Modes.....	9
<b>3 Description</b> .....	1	<b>8 Application and Implementation</b> .....	15
<b>4 Revision History</b> .....	2	8.1 Application Information.....	15
<b>5 Pin Configuration and Functions</b> .....	3	8.2 Typical Application .....	15
<b>6 Specifications</b> .....	4	<b>9 Power Supply Recommendations</b> .....	20
6.1 Absolute Maximum Ratings .....	4	<b>10 Layout</b> .....	21
6.2 ESD Ratings.....	4	10.1 Layout Guidelines .....	21
6.3 Recommended Operating Conditions.....	4	10.2 Layout Example .....	21
6.4 Thermal Information .....	4	<b>11 Device and Documentation Support</b> .....	22
6.5 Electrical Characteristics.....	5	11.1 Device Support.....	22
6.6 EasyScale Timing Requirements.....	6	11.2 Community Resources.....	22
6.7 Typical Characteristics .....	6	11.3 Trademarks .....	22
<b>7 Detailed Description</b> .....	8	11.4 Electrostatic Discharge Caution.....	22
7.1 Overview .....	8	11.5 Glossary .....	22
7.2 Functional Block Diagram .....	8	<b>12 Mechanical, Packaging, and Orderable Information</b> .....	22

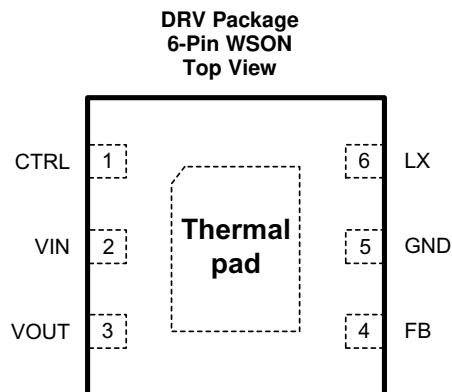
## 4 Revision History

### Changes from Original (May 2013) to Revision A

**Page**

- Added *Pin Configuration and Functions* section, *ESD Rating* table, *Feature Description*, *Device Functional Modes*, *Application and Implementation*, *Power Supply Recommendations*, *Layout*, *Device and Documentation Support*, and *Mechanical, Packaging, and Orderable Information* sections ..... **1**

## 5 Pin Configuration and Functions



### Pin Functions

PIN		I/O	DESCRIPTION
NO.	NAME		
1	CTRL	I	Control pin of the boost converter. It is a multi-functional pin which can be used for enable control, PWM and digital dimming.
2	VIN	I	The input supply pin for the device. Connect VIN to a supply voltage between 2.7 V and 5.5 V.
3	VOUT	O	Output of the boost converter.
4	FB	I	Feedback pin for current. Connect the sense resistor from FB to GND.
5	GND	O	Ground
6	LX	I	This is the switching node of the device. Connect the inductor between the VIN and LX pin.
7	Thermal Pad		The thermal pad should be soldered to the analog ground plane. If possible, use thermal via to connect to ground plane for ideal power dissipation.

## 6 Specifications

### 6.1 Absolute Maximum Ratings

over operating free-air temperature range (unless otherwise noted)<sup>(1)</sup>

		MIN	MAX	UNIT
Voltage range <sup>(2)</sup>	V <sub>IN</sub>	-0.3	6	V
	V <sub>OUT</sub> , LX	-0.3	30	V
	FB, CTRL	-0.3	7	V
Continuous power dissipation				
Operating junction temperature		-40	150	°C
Storage temperature, T <sub>stg</sub>		-65	150	°C

- (1) Stresses beyond those listed under *Absolute Maximum Ratings* may cause permanent damage to the device. These are stress ratings only, which do not imply functional operation of the device at these or any other conditions beyond those indicated under *Recommended Operating Conditions*. Exposure to absolute-maximum-rated conditions for extended periods may affect device reliability.
- (2) All voltage values are with respect to network ground terminal.

### 6.2 ESD Ratings

		VALUE	UNIT
V <sub>(ESD)</sub> Electrostatic discharge	Human-body model (HBM), per ANSI/ESDA/JEDEC JS-001 <sup>(1)</sup>	±2000	V
	Charged-device model (CDM), per JEDEC specification JESD22-C101 <sup>(2)</sup>	±500	

- (1) JEDEC document JEP155 states that 500-V HBM allows safe manufacturing with a standard ESD control process.
- (2) JEDEC document JEP157 states that 250-V CDM allows safe manufacturing with a standard ESD control process.

### 6.3 Recommended Operating Conditions

over operating free-air temperature range (unless otherwise noted)

		MIN	NOM	MAX	UNIT
V <sub>IN</sub>	Input voltage	2.7		5.5	V
V <sub>OUT</sub>	Output voltage	V <sub>IN</sub>		29	V
I <sub>OUT</sub>	Output load current			30	mA
L	Inductor	10		22	μH
C <sub>I</sub>	Input capacitor	1		10	μF
C <sub>O</sub>	Output capacitor	0.47		2.2	μF
F <sub>PWM</sub>	Input PWM signal frequency	20		100	kHz
T <sub>A</sub>	Operating ambient temperature	-40		85	°C
T <sub>J</sub>	Operating junction temperature	-40		125	°C

### 6.4 Thermal Information

THERMAL METRIC <sup>(1)</sup>		TPS61158	UNIT
		DRV (WSON)	
		6 PINS	
R <sub>θJA</sub>	Junction-to-ambient thermal resistance	70.4	°C/W
R <sub>θJC(top)</sub>	Junction-to-case (top) thermal resistance	94.8	°C/W
R <sub>θJB</sub>	Junction-to-board thermal resistance	39.8	°C/W
Ψ <sub>JT</sub>	Junction-to-top characterization parameter	2.5	°C/W
Ψ <sub>JB</sub>	Junction-to-board characterization parameter	40.2	°C/W
R <sub>θJC(bot)</sub>	Junction-to-case (bottom) thermal resistance	10.2	°C/W

- (1) For more information about traditional and new thermal metrics, see the *Semiconductor and IC Package Thermal Metrics* application report, [SPRA953](#).

## 6.5 Electrical Characteristics

$V_{IN} = 3.6\text{ V}$ , CTRL = High, IFB current = 20 mA, IFB voltage = 200 mV,  $T_A = -40^\circ\text{C}$  to  $85^\circ\text{C}$ , typical values are at  $T_A = 25^\circ\text{C}$  (unless otherwise noted).

PARAMETER		TEST CONDITIONS	MIN	TYP	MAX	UNIT
<b>POWER SUPPLY</b>						
$V_{IN}$	Input voltage range		2.7		5.5	V
$V_{IN\_UVLO}$	$V_{IN}$ undervoltage lockout threshold	$V_{IN}$ ramp down		2.2	2.35	V
		$V_{IN}$ ramp up		2.5	2.65	
$V_{IN\_HYS}$	$V_{IN}$ undervoltage lockout hysteresis			275		mV
$I_Q$	Operating quiescent current into $V_{IN}$	Device enable, no switching and no load ( $V_{FB} = 0.4\text{ V}$ )		0.3	0.5	mA
		Device enable, switching 750 kHz and no load ( $V_{FB} = 0\text{ V}$ )		0.5	1.65	
$I_{SD}$	Shutdown current	CTRL = GND		0.1	1	$\mu\text{A}$
<b>CONTROL LOGIC AND TIMING</b>						
$V_H$	CTRL logic high voltage		1.2			V
$V_L$	CTRL logic Low voltage				0.4	V
$R_{PD}$	CTRL pin internal pull-down resistor	$V_{CTRL} = 1.8\text{ V}$		300		k $\Omega$
$t_{SD}$	CTRL pulse width to shutdown	CTRL from high to low	3.5			ms
<b>VOLTAGE AND CURRENT REGULATION</b>						
$V_{REF}$	Voltage feedback regulation voltage	Duty = 100%	194	200	206	mV
$I_{FB}$	FB pin bias current	$V_{FB} = 200\text{ mV}$			2	$\mu\text{A}$
$t_{REF}$	$V_{REF}$ filter time constant			230		$\mu\text{s}$
<b>POWER SWITCH AND DIODE</b>						
$R_{DS(ON)}$	N-channel MOSFET on-resistance	$V_{IN} = 3.6\text{ V}$ , $T_A = 25^\circ\text{C}$ , $I_{OUT} = 100\text{ mA}$		0.6	1	$\Omega$
$V_F$	Power diode forward voltage	$I_{DIODE} = 0.2\text{ A}$		0.75	1	V
$I_{LEAK\_LX}$	LX pin leakage current	$V_{LX} = 28\text{ V}$		0.1	2	$\mu\text{A}$
<b>OSCILLATOR</b>						
$f_{SW}$	Oscillator frequency		600	750	900	kHz
$D_{max}$	Maximum duty cycle of boost switching	$V_{FB} = 0\text{ V}$ , measured on the drive signal of the switch MOSFET	88%	94%		
<b>PROTECTION AND SOFT START</b>						
$I_{LIM}$	NMOS current limit	$V_{IN} = 3.6\text{ V}$ , $D = D_{MAX}$ , $T_A = 0^\circ\text{C}$ to $85^\circ\text{C}$	0.5	0.6	0.7	A
$I_{LIM\_Start}$	Start up current limit			360		mA
$t_{LIM\_Start}$	Time step for start up current limit			8		ms
$V_{OVP}$	Open LED protection threshold	Tested at VOUT pin	27.5	28.2	29	V
$V_{ACKNL}$	Acknowledge output voltage low	Open drain, $R_{pullup} = 15\text{ k}\Omega$ to $V_{IN}$			0.4	V
<b>THERMAL SHUTDOWN</b>						
$T_{shutdown}$	Thermal shutdown threshold			160		$^\circ\text{C}$
$T_{hys}$	Thermal shutdown hysteresis			15		$^\circ\text{C}$

## 6.6 EasyScale Timing Requirements

		MIN	NOM	MAX	UNIT
$t_{es\_detect}$	EasyScale detection time <sup>(1)</sup> , CTRL low	450			$\mu$ s
$t_{es\_delay}$	EasyScale detection delay	100			$\mu$ s
$t_{es\_win}$	EasyScale detection window time, measured from CTRL high	3.5			ms
$t_{start}$	Start time of program stream	3.5			$\mu$ s
$t_{EOS}$	End time of program stream	3.5		600	$\mu$ s
$t_{H\_LB}$	High time of low bit, Logic 0	3.5		300	$\mu$ s
$t_{L\_LB}$	Low time of low bit, Logic 0	$2 \times t_{H\_LB}$		600	$\mu$ s
$t_{H\_HB}$	High time of high bit, Logic 1	$2 \times t_{L\_HB}$		600	$\mu$ s
$t_{L\_HB}$	Low time of high bit, Logic 1	3.5		300	$\mu$ s
$t_{valACK}$	Acknowledge valid time (see <sup>(2)</sup> )			3.5	$\mu$ s
$t_{ACKN}$	Duration of acknowledge condition (see <sup>(2)</sup> )			900	$\mu$ s

- (1) To select EasyScale mode, the CTRL pin has to be low for more than  $t_{es\_detect}$  during  $t_{es\_win}$   
 (2) Acknowledge condition active 0, this condition will only be applied in case the RFA bit is set. Open drain output, line needs to be pulled high by the host with resistor load.

## 6.7 Typical Characteristics

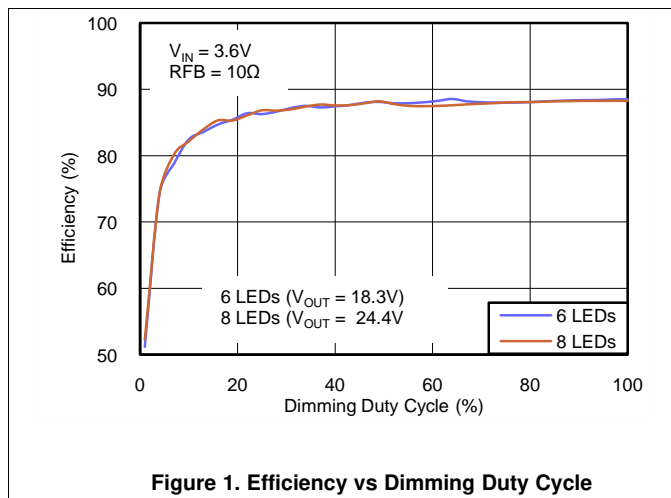


Figure 1. Efficiency vs Dimming Duty Cycle

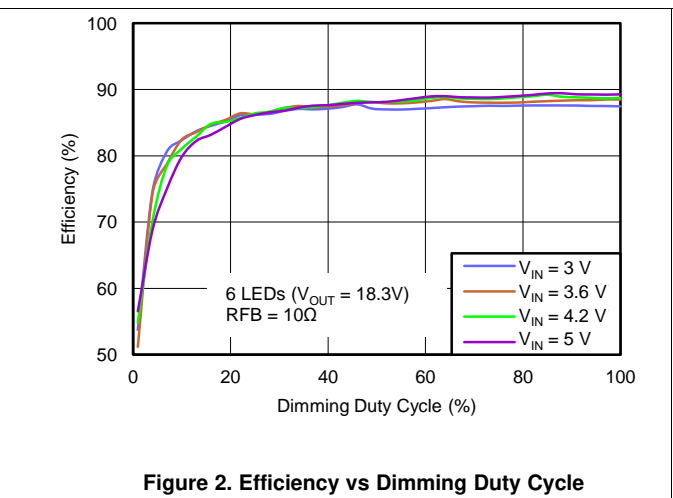


Figure 2. Efficiency vs Dimming Duty Cycle

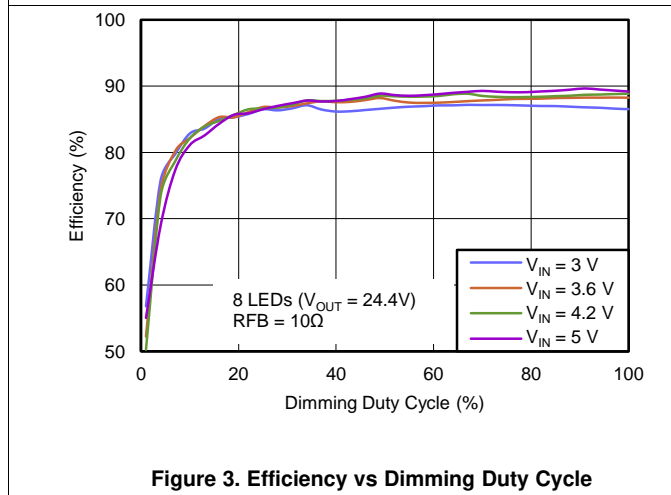


Figure 3. Efficiency vs Dimming Duty Cycle

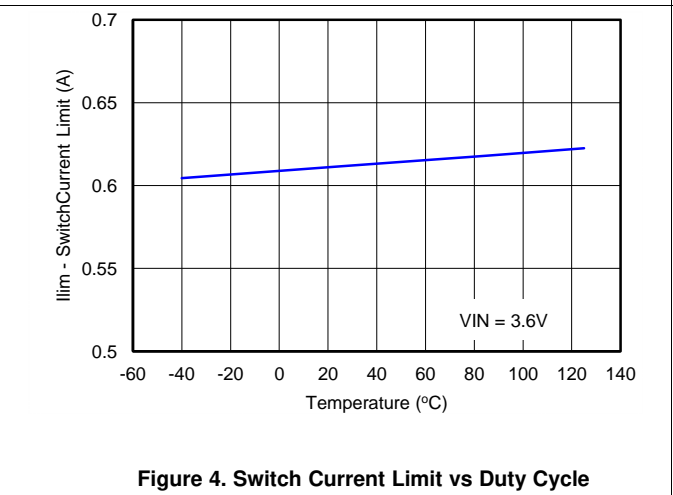


Figure 4. Switch Current Limit vs Duty Cycle

Typical Characteristics (continued)

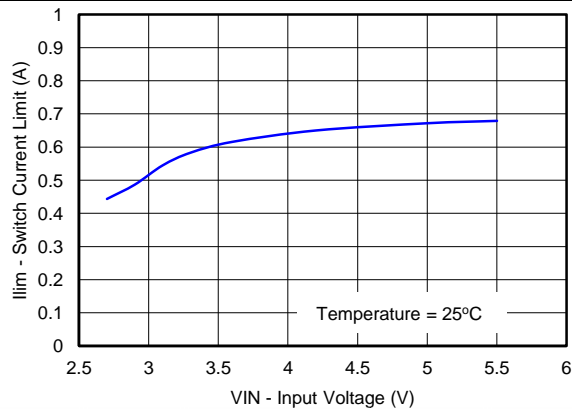


Figure 5. Switch Current Limit vs Temperature

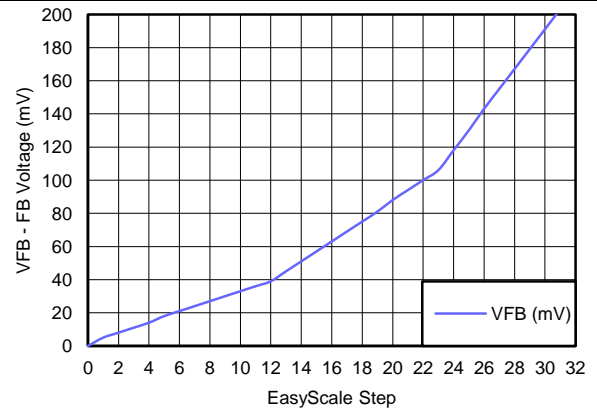


Figure 6. FB Voltage vs EasyScale Step

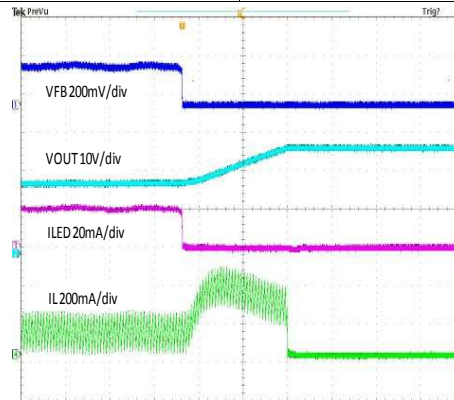


Figure 7. Open LED Protection





## Feature Description (continued)

### 7.3.2 Shutdown

The TPS61158 enters shutdown mode when the CTRL voltage is logic low for more than 3.5 ms. During shutdown, the input supply current for the device is less than 1  $\mu$ A (maximum). Although the internal FET does not switch in shutdown mode, there is still a DC current path between the input and the LEDs through the inductor and the power diode. The minimum forward voltage of the LED array must exceed the maximum input voltage to ensure that the LEDs remain off in shutdown. In the typical application with two or more LEDs, the forward voltage is large enough to reverse bias the diode and keep leakage current low.

### 7.3.3 Current Program

The FB voltage is regulated by a low 0.2-V reference voltage. The LED current is programmed externally using a current-sense resistor R<sub>FB</sub> in series with the LED string. The value of the R<sub>FB</sub> is calculated using [Equation 1](#):

$$R_{FB} = \frac{V_{FB}}{I_{LED}}$$

where

- R<sub>FB</sub> = current sense resistor at FB pin
- V<sub>FB</sub> = 200 mV (regulated voltage of FB pin)
- I<sub>LED</sub> = full-scale output current of LEDs
- The output current tolerance depends on the FB voltage accuracy and the current sensor resistor accuracy. (1)

### 7.3.4 Undervoltage Lockout

An undervoltage lockout prevents operation of the device at input voltages below typical 2.2 V. When the input voltage is below the undervoltage threshold, the device is shut down, and the internal switch FET is turned off. If the input voltage rises by undervoltage lockout hysteresis, the device restarts.

### 7.3.5 Open LED Protection

Open LED protection circuitry prevents device damage as the result of white LED disconnection. The TPS61158 monitors the voltages at the VOUT pin and FB pin. The circuitry turns off the switch FET and shuts down the device completely if both of the following two conditions are met: 1) the VOUT voltage reaches OVP threshold (28.2 V typical); and 2) FB voltage is lower than half of its regulation voltage. This means the LED string is open or the FB pin is short to ground. As a result, the output voltage falls to the level of the input supply. The device remains in shutdown mode until it is enabled by pulling down the CTRL pin logic low for at least 3.5 ms and then pulling it high.

### 7.3.6 Thermal Shutdown

An internal thermal shutdown turns off the device when the typical junction temperature of 160°C is exceeded. The device is released from shutdown automatically when the junction temperature decreases by 15°C.

## 7.4 Device Functional Modes

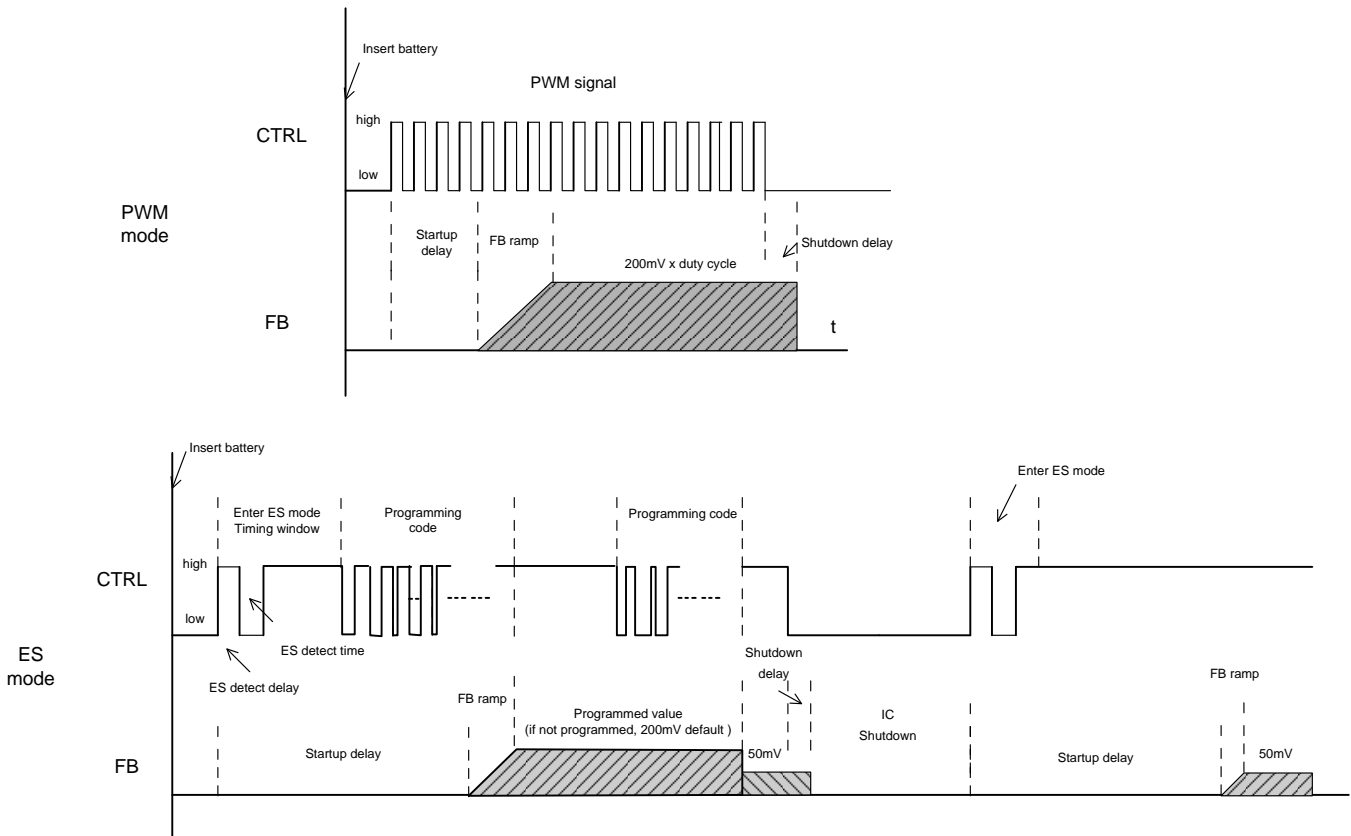
### 7.4.1 LED Brightness Dimming Mode Selection

The CTRL pin is used for the control input for both dimming modes, PWM dimming and 1 wire dimming. The dimming mode for the TPS61158 is selected each time the device is enabled. The default dimming mode is PWM dimming. To enter the 1 wire mode, the following digital pattern on the CTRL pin must be recognized by the device every time the device starts from the shutdown mode.

1. Pull CTRL pin high to enable the TPS61158 and to start the 1-wire detection window.
2. After the EasyScale detection delay ( $t_{es\_delay}$ , 100  $\mu$ s) expires, drive CTRL low for more than the EasyScale detection time ( $t_{es\_detect}$ , 450  $\mu$ s).
3. The CTRL pin has to be low for more than EasyScale detection time before the EasyScale detection window ( $t_{es\_win}$ , 3.5 ms) expires. EasyScale detection window starts from the first CTRL pin low-to-high transition.

## Device Functional Modes (continued)

The device immediately enters the 1-wire mode once the above 3 conditions are met. The EasyScale communication can start before the detection window expires. Once the dimming mode is programmed, it can not be changed without another start-up. This means the device needs to be shutdown by pulling the CTRL low for 3.5 ms and restarts. See [Figure 8](#) for a graphical explanation.



**Figure 8. Dimming Mode Detection and Soft Start**

### 7.4.1.1 PWM Brightness Dimming

When the CTRL pin is constantly high, the FB voltage is regulated to 200 mV typically. However, the CTRL pin allows a PWM signal to reduce this regulation voltage; therefore, it achieves LED brightness dimming. The relationship between the duty cycle and FB voltage is given by [Equation 2](#).

$$V_{FB} = \text{Duty} \times 200 \text{ mV}$$

where

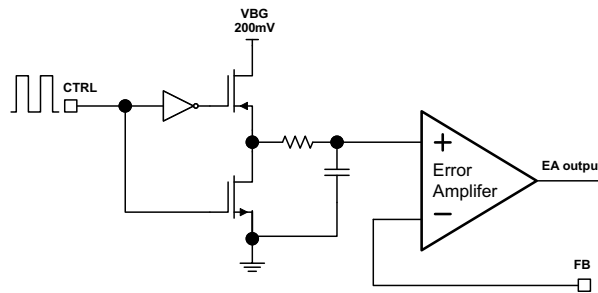
- Duty = duty cycle of the PWM signal
  - 200 mV = internal reference voltage
- (2)

As shown in [Figure 9](#), the device chops up the internal 200-mV reference voltage at the duty cycle of the PWM signal. The pulse signal is then filtered by an internal low pass filter. The output of the filter is connected to the error amplifier as the reference voltage for the FB pin regulation. Therefore, although a PWM signal is used for brightness dimming, only the WLED DC current is modulated, which is often referred as analog dimming. This eliminates the audible noise which often occurs when the LED current is pulsed in replica of the frequency and duty cycle of PWM control. Unlike other scheme which filters the PWM signal for analog dimming, the TPS61158 regulation voltage is independent of the PWM logic voltage level which often has large variations.

For optimum performance, use the PWM dimming frequency in the range of 20 kHz to 100 kHz. Since the CTRL pin is logic only pin, adding an external RC filter applied to the pin does not work.

## Device Functional Modes (continued)

The minimum dimming duty cycle the device can support is 1% within the PWM dimming frequency range 20 kHz to 100 kHz.



**Figure 9. Block Diagram of Programmable FB Voltage Using PWM Signal**

### 7.4.1.1.1 Digital 1-Wire Brightness Dimming

The CTRL pin features a simple digital interface to allow digital brightness control. The digital dimming can save the processor power and battery life as it does not require a PWM signal all the time, and the processor can enter idle mode if available.

The TPS61158 adopts the EasyScale™ protocol for the digital dimming, which can program the FB voltage to any of the 32 steps with single command. The step increment increases with the voltage to produce pseudo logarithmic curve for the brightness step. See the [Table 1](#) for the FB pin voltage steps. The default step is full scale when the device is first enabled ( $V_{FB} = 200\text{ mV}$ ). The programmed reference voltage is stored in an internal register. A power reset clears the register value and reset it to default.

### 7.4.1.1.2 Easyscale: 1-Wire Digital Dimming

EasyScale is a simple but flexible one-pin interface to configure the FB voltage. The interface is based on a master-slave structure, where the master is typically a microcontroller or application processor. [Figure 10](#) and [Table 2](#) give an overview of the protocol. The protocol consists of a device specific address byte and a data byte. The device specific address byte is fixed to 58 hex. The data byte consists of five bits for information, two address bits ("00"), and the RFA bit. The RFA bit set to high indicates the Request for Acknowledge condition. The Acknowledge condition is only applied if the protocol was received correctly. The advantage of EasyScale compared with other one pin interfaces is that its bit detection is in a large extent independent from the bit transmission rate. It can automatically detect bit rates between 1.1 kBit/sec and up to 100 kBit/sec.

**Table 1. Selectable FB Voltage**

	FB VOLTAGE (mV)	D4	D3	D2	D1	D0
0	0	0	0	0	0	0
1	5	0	0	0	0	1
2	8	0	0	0	1	0
3	11	0	0	0	1	1
4	14	0	0	1	0	0
5	17	0	0	1	0	1
6	20	0	0	1	1	0
7	23	0	0	1	1	1
8	26	0	1	0	0	0
9	29	0	1	0	0	1
10	32	0	1	0	1	0
11	35	0	1	0	1	1
12	38	0	1	1	0	0
13	44	0	1	1	0	1
14	50	0	1	1	1	0
15	56	0	1	1	1	1
16	62	1	0	0	0	0
17	68	1	0	0	0	1
18	74	1	0	0	1	0
19	80	1	0	0	1	1
20	86	1	0	1	0	0
21	92	1	0	1	0	1
22	98	1	0	1	1	0
23	104	1	0	1	1	1
24	116	1	1	0	0	0
25	128	1	1	0	0	1
26	140	1	1	0	1	0
27	152	1	1	0	1	1
28	164	1	1	1	0	0
29	176	1	1	1	0	1
30	188	1	1	1	1	0
31	200	1	1	1	1	1

DATA IN

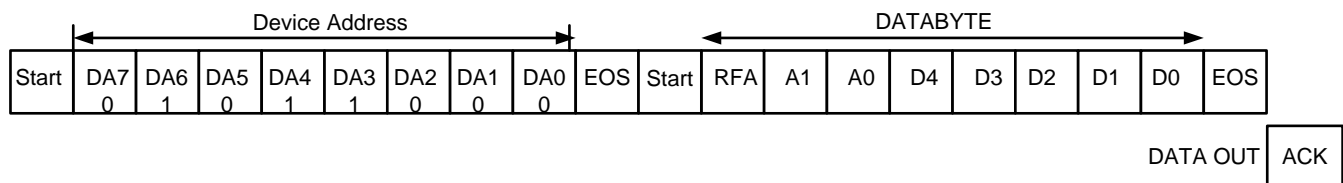

**Figure 10. EasyScale Protocol Overview**

Table 2. EasyScale Bit Description

BYTE	BIT NUMBER	NAME	TRANSMISSION DIRECTION	DESCRIPTION
Device Address Byte 72 hex	7	DA7	IN	0 (MSB device address)
	6	DA6		1
	5	DA5		0
	4	DA4		1
	3	DA3		1
	2	DA2		0
	1	DA1		0
	0	DA0		0 (LSB device address)
Data byte	7 (MSB)	RFA	IN	Request for acknowledge. If high, acknowledge is applied by device.
	6	A1		0 (Address bit A1)
	5	A0		0 (Address bit A0)
	4	D4		Data bit D4
	3	D3		Data bit D3
	2	D2		Data bit D2
	1	D1		Data bit D1
	0 (LSB)	D0		Data bit D0
		ACK	OUT	Acknowledge condition active 0, this condition will only be applied to case RFA bit is set. Open drain output, line needs to be pulled high by the host with a pullup resistor. This feature can only be used if the master has an open drain output stage. In case of a push pull output stage Acknowledge condition may not be requested!

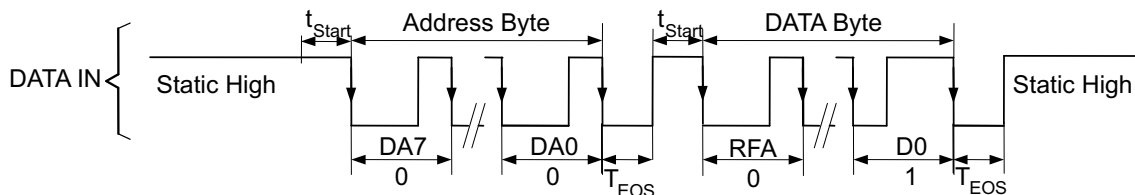


Figure 11. EasyScale Timing, Without Acknowledge (RFA = 0)

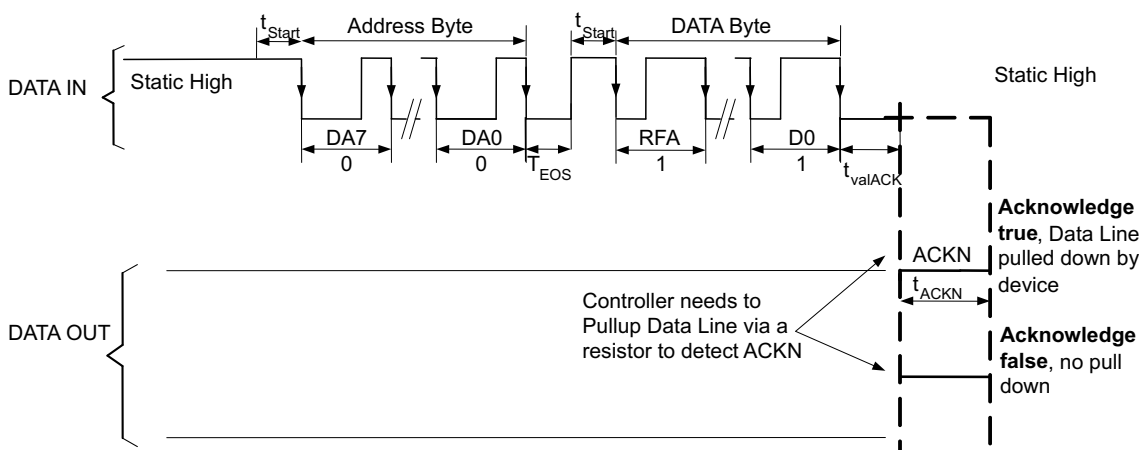
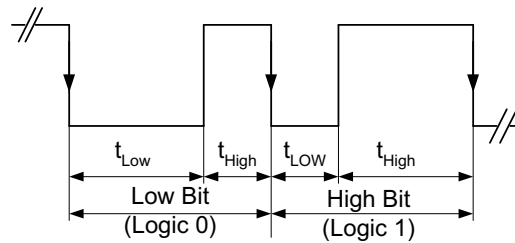


Figure 12. EasyScale Timing, With Acknowledge (RFA = 1)



**Figure 13. EasyScale— Bit Coding**

All bits are transmitted MSB first and LSB last. [Figure 11](#) shows the protocol without acknowledge request (Bit RFA = 0), [Figure 12](#) with acknowledge (Bit RFA = 1) request. Prior to both bytes, device address byte and data byte, a start condition must be applied. For this, the CTRL pin must be pulled high for at least  $t_{start}$  (3.5 $\mu$ s) before the bit transmission starts with the falling edge. If the CTRL pin is already at high level, no start condition is needed prior to the device address byte. The transmission of each byte is closed with an End of Stream condition for at least  $t_{EOS}$  (3.5 $\mu$ s).

The bit detection is based on a Logic Detection scheme, where the criterion is the relation between  $t_{LOW}$  and  $t_{HIGH}$  (refer to [Figure 13](#)). It can be simplified to:

- Low Bit (Logic 0):  $t_{LOW} \geq 2 \times t_{HIGH}$
- High Bit (Logic 1):  $t_{HIGH} \geq 2 \times t_{LOW}$

The bit detection starts with a falling edge on the CTRL pin and ends with the next falling edge. Depending on the relation between  $t_{HIGH}$  and  $t_{LOW}$ , the logic 0 or 1 is detected.

The acknowledge condition is only applied if:

- Acknowledge is requested by setting RFA bit to 1.
- The transmitted device address matches with the device address of the device.
- Device address byte and data byte are received correctly.

If above conditions are met, after  $t_{valACK}$  (3.5  $\mu$ s) delay from the moment when the last falling edge of the protocol is detected, an internal ACKN-MOSFET is turned on to pull the CTRL pin low for the time  $t_{ACKN}$  (900  $\mu$ s maximum), then the Acknowledge condition is valid. During the  $t_{valACK}$  delay, the master controller keeps the line low; after the delay, it should release the line by outputting high impedance and then detect the acknowledge condition. If it reads back a logic 0, it means the device has received the command correctly. The CTRL pin can be used again by the master when the acknowledge condition ends after  $t_{ACKN}$  time.

Note that the acknowledge condition can only be requested in case the master device has an open drain output. For a push-pull output stage, the use a series resistor in the CTRL line to limit the current to 500  $\mu$ A is recommended to for such cases as:

- an accidentally requested acknowledge, or
- to protect the internal ACKN-MOSFET.

## 8 Application and Implementation

### NOTE

Information in the following applications sections is not part of the TI component specification, and TI does not warrant its accuracy or completeness. TI's customers are responsible for determining suitability of components for their purposes. Customers should validate and test their design implementation to confirm system functionality.

### 8.1 Application Information

The TPS61158 provides a high-performance LED lighting solution for mobile handsets and other low power LCD backlit displays. The device can drive from 2 to 8 series LEDs in a compact and high efficient solution. An internal rectifying diode eliminates the need for an external Schottky. The LED current is controlled via a logic level PWM input with an internal low pass filter. This low pass filtered (analog) dimming, reduces the output capacitor requirement and provides noise free current control.

### 8.2 Typical Application

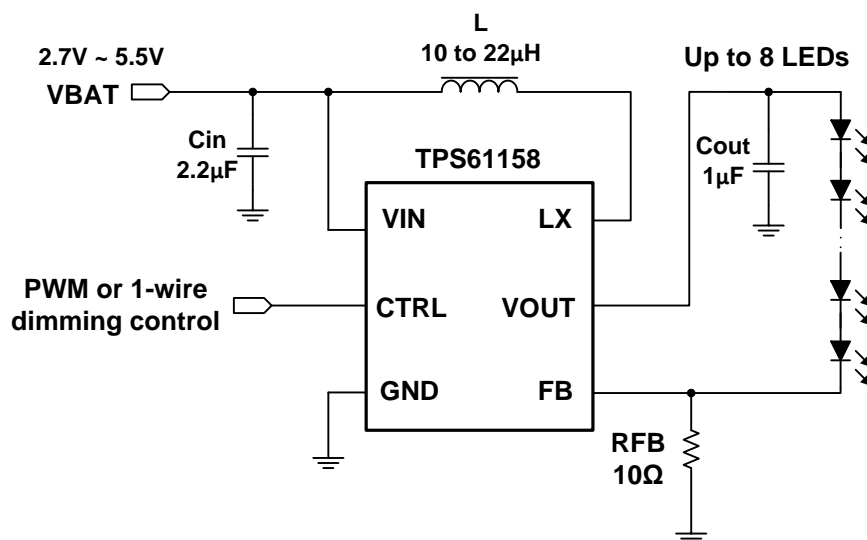


Figure 14. Typical Application for TPS61158

#### 8.2.1 Design Requirements

For TPS61158 typical applications, use the parameters listed in [Table 3](#) as the input parameters.

Table 3. Design Parameters

DESIGN PARAMETER	EXAMPLE VALUE
Minimum input voltage	2.7 V
Number of series LED	up to 8
Switching frequency	750 MHz

## 8.2.2 Detailed Design Procedure

### 8.2.2.1 Inductor Selection

The selection of the inductor affects steady state operation as well as transient behavior, loop stability and the power conversion efficiency. These factors make it the most important component in power regulator design. There are three important inductor specifications, inductor value, DC resistance, and saturation current. Considering inductor value alone is not enough. The inductor value determines the inductor ripple current. Choose an inductor that can handle the necessary peak current without saturating, according to half of the peak-to-peak ripple current given by Equation 4, plus the inductor DC current given by:

$$I_{in\_DC} = \frac{V_{OUT} \times I_{OUT}}{V_{IN} \times \eta} \quad (3)$$

Inductor values can have  $\pm 20\%$  or even  $\pm 30\%$  tolerance with no current bias. When the inductor current approaches saturation level, its inductance can decrease 20% to 35% from the 0A value depending on how the inductor vendor defines saturation. When selecting an inductor, please make sure its rated current, especially the saturation current, is larger than its peak current during the operation. Using an inductor with a smaller inductance value causes larger current ripple. This reduces the boost converter's maximum output current, causes large input voltage ripple and reduces efficiency. Large inductance value provides much more output current and higher conversion efficiency. For these reasons, a 10- $\mu$ H to 22- $\mu$ H inductor value range is recommended. A 22- $\mu$ H inductor optimizes the efficiency for most application while maintaining low inductor peak-to-peak ripple. Table 4 lists the recommended inductors for TPS61158. TPS61158 has built-in slope compensation to avoid sub-harmonic oscillation associated with current mode control. If the inductor value is lower than 10  $\mu$ H, the slope compensation may not be adequate, and the loop can be unstable. Therefore, customers need to verify the inductor in their application if it is different from the recommended values.

**Table 4. Recommended Inductors**

PART NUMBER	L ( $\mu$ H)	DCR MAX (m $\Omega$ )	SATURATION CURRENT (A)	Size (L x W x H mm)	VENDOR
LPS3015-103ML	10	440	0.73	3.0 x 3.0 x 1.5	Coilcraft
LPS3015-223ML	22	825	0.5	3.0 x 3.0 x 1.5	Coilcraft
1229AS-H-100M	10	288	0.75	3.5 x 3.7 x 1.2	TOKO
1229AS-H-220M	22	672	0.5	3.5 x 3.7 x 1.2	TOKO
VLS3012ET-100M	10	336	0.64	3.0 x 3.0 x 1.2	TDK
VLS3012ET-220M	22	756	0.44	3.0 x 3.0 x 1.2	TDK

### 8.2.2.2 Maximum Output Current

The overcurrent limit in a boost converter limits the maximum input current and thus maximum input power for a given input voltage. Maximum output power is less than maximum input power due to power conversion losses. Therefore, the current limit setting, input voltage, output voltage and efficiency can all change maximum current output. The current limit clamps the peak inductor current; therefore, the ripple has to be subtracted to derive maximum DC current. The ripple current is a function of switching frequency, inductor value and duty cycle. The following equations take into account of all the above factors for maximum output current calculation.

$$I_P = \frac{1}{L \times F_S \times \left( \frac{1}{V_{OUT} + V_F - V_{IN}} + \frac{1}{V_{IN}} \right)}$$

where

- $I_P$  = inductor peak to peak ripple
- $L$  = inductor value
- $F_S$  = switching frequency
- $V_{OUT}$  = output voltage of the boost converter. It is equal to the sum of  $V_{FB}$  and the voltage drop across LEDs.
- $V_F$  = forward voltage of internal power diode. 0.75 V, typical

(4)



$$I_{OUT\_max} = \frac{V_{IN} \times (I_{LIM} - I_P / 2) \times \eta}{V_{OUT}}$$

where

- $I_{OUT\_max}$  = maximum output current of the boost converter
  - $I_{LIM}$  = overcurrent limit
  - $\eta$  = boost efficiency (85%, typical)
- (5)

To calculate the maximum output current in the worst case, use the minimum input voltage, maximum output voltage and maximum forward voltage of internal power diode (1 V). In order to leave enough design margin, the minimum current limit value 0.5 A, the minimum switching frequency 600 kHz, the inductor value with –30% tolerance, and a low power conversion efficiency, such as 80% or lower are recommended for the calculation. For instance, when minimum  $V_{IN}$  is 3 V, 8 LEDs output equivalent to  $V_{OUT}$  is 26 V, and the inductor is 22  $\mu$ H, then the maximum output current is 33 mA in the worst case.

### 8.2.2.3 Input and Output Capacitor Selection

The output capacitor is mainly selected to meet the requirements for the output ripple and loop stability. This ripple voltage is related to the capacitor's capacitance and its equivalent series resistance (ESR). Assuming a capacitor with zero ESR, the minimum capacitance needed for a given ripple can be calculated by

$$C_{OUT} = \frac{(V_{OUT} - V_{IN}) \times I_{OUT}}{V_{OUT} \times F_S \times V_{ripple}}$$

where

- $V_{ripple}$  = peak-to-peak output ripple.
- (6)

The additional output ripple component caused by ESR is calculated using [Equation 7](#):

$$V_{ripple\_ESR} = I_{OUT} \times R_{ESR}$$
(7)

Due to its low ESR,  $V_{ripple\_ESR}$  can be neglected for ceramic capacitors, but must be considered if tantalum or electrolytic capacitors are used.

Care must be taken when evaluating a ceramic capacitor's derating under DC bias, aging and AC signal. The DC bias can significantly reduce capacitance. Ceramic capacitors can lose as much as 50% of its capacitance at its rated voltage. Therefore, leave the margin on the voltage rating to ensure adequate capacitance at the required output voltage.

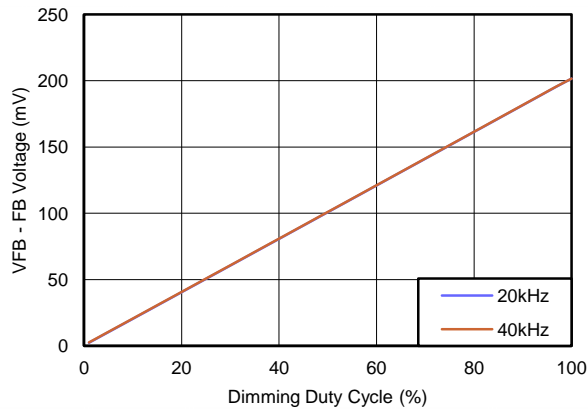
The capacitor in the range of 1  $\mu$ F to 10  $\mu$ F is recommended for input side. The output requires a capacitor in the range of 0.47  $\mu$ F to 2.2  $\mu$ F. The output capacitor affects the loop stability of the boost regulator. If the output capacitor is below the range, the boost regulator can potentially become unstable.

The popular vendors for high value ceramic capacitors are:

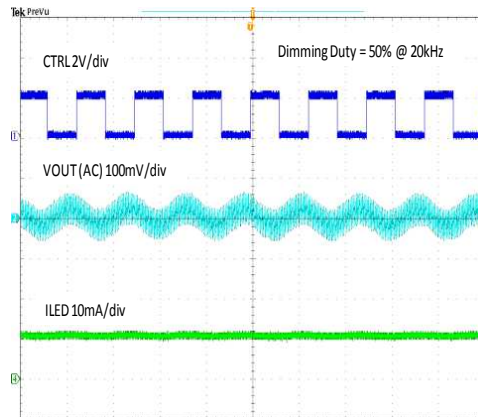
TDK (<http://www.component.tdk.com/components.php>)

Murata (<http://www.murata.com/cap/index.html>)

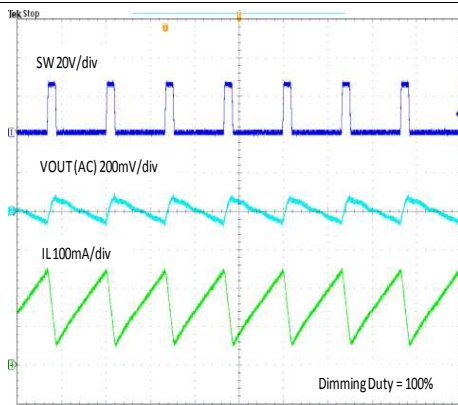
**8.2.3 Application Curves**



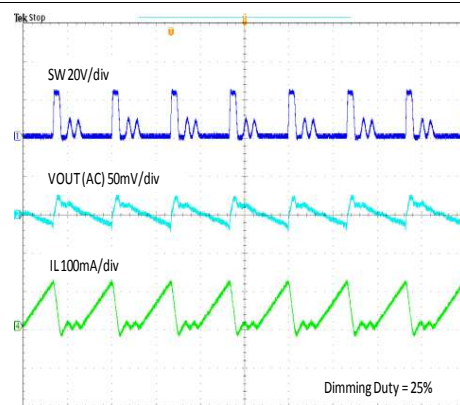
**Figure 15. FB Voltage vs Dimming Duty Cycle**



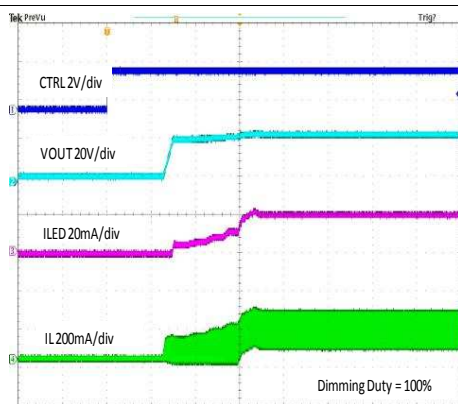
**Figure 16. Output Ripple at PWM Dimming**



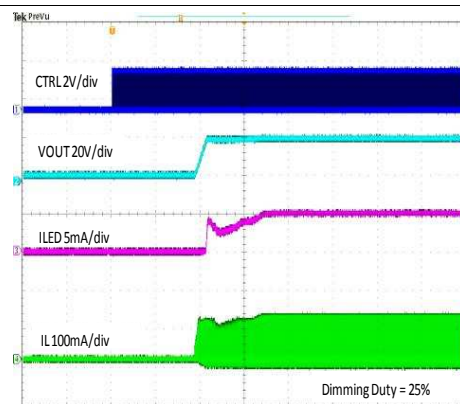
**Figure 17. Switching Waveform - Dimming Duty = 100%**



**Figure 18. Switching Waveform - Dimming Duty = 25%**



**Figure 19. Start-Up Dimming Duty = 100%**



**Figure 20. Start-Up Dimming Duty = 25%**

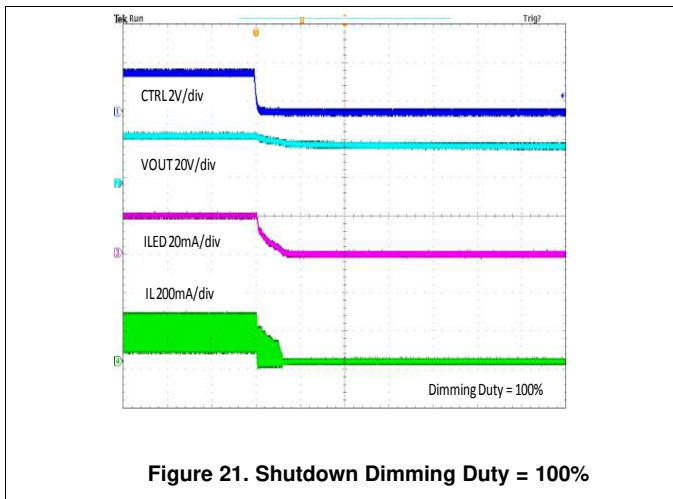


Figure 21. Shutdown Dimming Duty = 100%

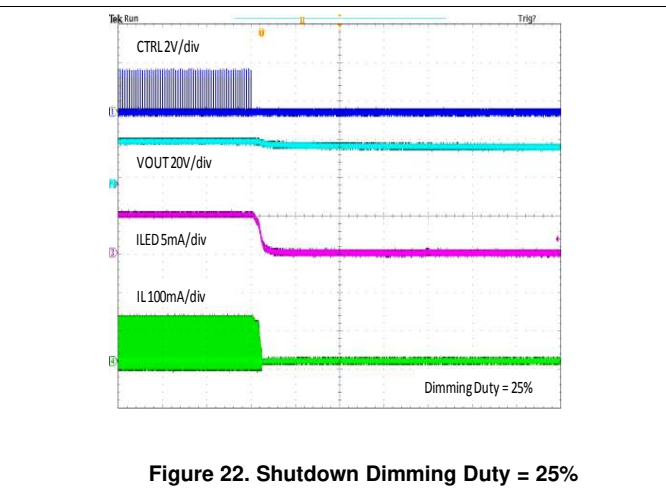


Figure 22. Shutdown Dimming Duty = 25%

### 8.2.4 Additional Application Circuits

#### 8.2.4.1 TPS61158 To Drive Up To 8 LEDs

Figure 23 shows a typical application for the TPS61158. This can drive from 2 to 8 series WLEDs.

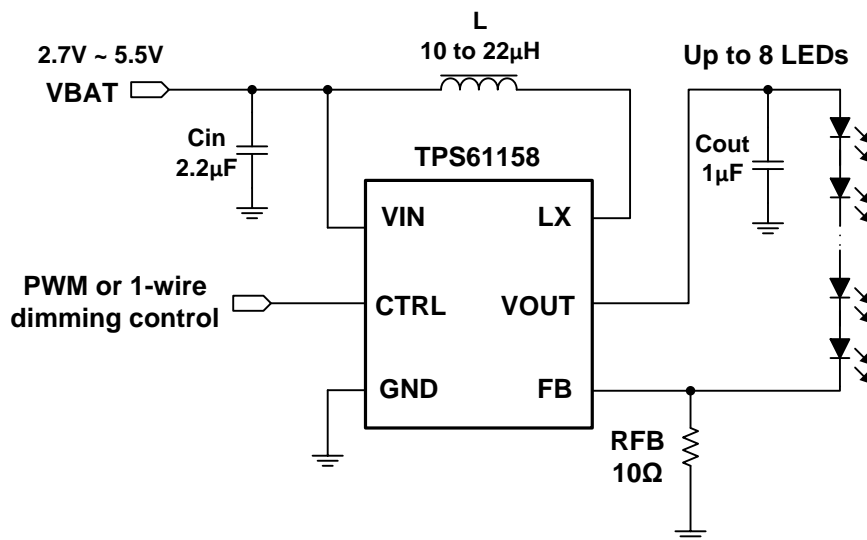


Figure 23. TPS61158 to Drive up to 8 LEDs

#### 8.2.4.2 TPS61158 to Drive up to 8 LEDs with RC Filter at VIN Pin

Figure 24 is typical application circuit with RC filter at IN.

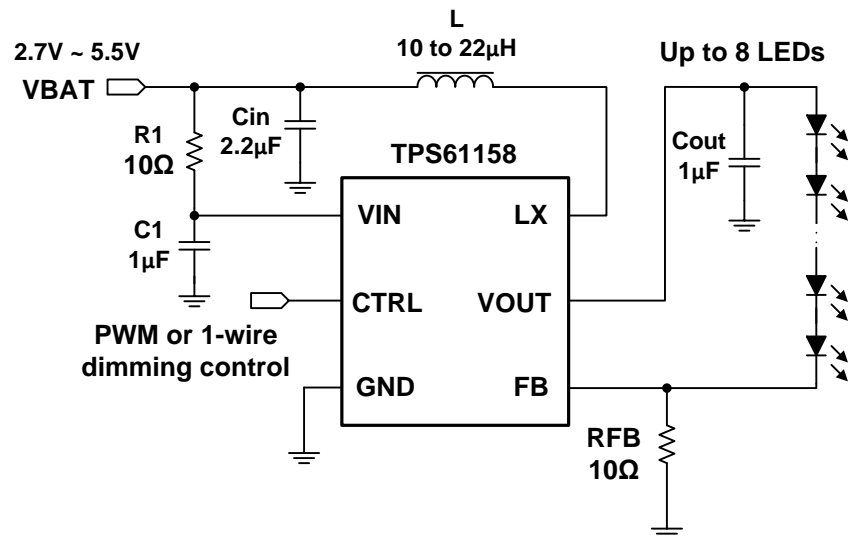


Figure 24. TPS61158 to Drive up to 8 LEDs With RC Filter at VIN Pin

## 9 Power Supply Recommendations

The TPS61158 requires a single supply input voltage. This voltage can range between 2.7 V to 5.5 V and must be able to supply enough current for a given application.

## 10 Layout

### 10.1 Layout Guidelines

As for all switching power supplies, especially those high frequency and high current ones, layout is an important design step. If layout is not carefully done, the regulator could suffer from instability as well as noise problems. Therefore, use wide and short traces for high current paths. The input capacitor  $C_{IN}$  needs to be close to the VIN pin and GND pin in order to reduce the input ripple seen by the device. If possible, choose higher capacitance value for it. If the ripple seen at VIN pin is so large that it affects the boost loop stability or internal circuits operation, R1 and C1 is recommended to compose a filter to decouple the noise (refer to Figure 24). The SW pin carries high current with fast rising and falling edges. Therefore, the connection between the SW pin to the inductor should be kept as short and wide as possible. The output capacitor  $C_{OUT}$  should be put close to VOUT pin. It is also beneficial to have the ground of  $C_{OUT}$  close to the GND pin since there is large ground return current flowing between them. FB resistor should be put close to FB pin. When laying out signal grounds, it is recommended to use short traces separated from power ground traces, and connect them together at a single point close to the GND pin.

### 10.2 Layout Example

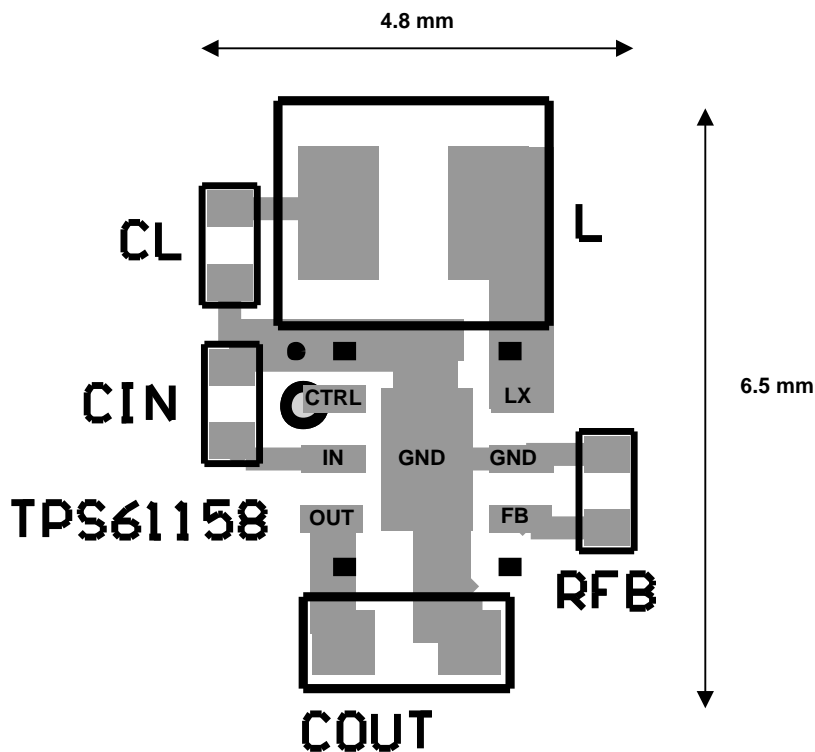


Figure 25. TPS61158 Example Layout

## 11 Device and Documentation Support

### 11.1 Device Support

#### 11.1.1 Third-Party Products Disclaimer

TI'S PUBLICATION OF INFORMATION REGARDING THIRD-PARTY PRODUCTS OR SERVICES DOES NOT CONSTITUTE AN ENDORSEMENT REGARDING THE SUITABILITY OF SUCH PRODUCTS OR SERVICES OR A WARRANTY, REPRESENTATION OR ENDORSEMENT OF SUCH PRODUCTS OR SERVICES, EITHER ALONE OR IN COMBINATION WITH ANY TI PRODUCT OR SERVICE.

### 11.2 Community Resources

The following links connect to TI community resources. Linked contents are provided "AS IS" by the respective contributors. They do not constitute TI specifications and do not necessarily reflect TI's views; see TI's [Terms of Use](#).

**TI E2E™ Online Community** *TI's Engineer-to-Engineer (E2E) Community*. Created to foster collaboration among engineers. At [e2e.ti.com](http://e2e.ti.com), you can ask questions, share knowledge, explore ideas and help solve problems with fellow engineers.

**Design Support** *TI's Design Support* Quickly find helpful E2E forums along with design support tools and contact information for technical support.

### 11.3 Trademarks

EasyScale, E2E are trademarks of Texas Instruments.  
All other trademarks are the property of their respective owners.

### 11.4 Electrostatic Discharge Caution



These devices have limited built-in ESD protection. The leads should be shorted together or the device placed in conductive foam during storage or handling to prevent electrostatic damage to the MOS gates.

### 11.5 Glossary

**SLYZ022** — *TI Glossary*.

This glossary lists and explains terms, acronyms, and definitions.

## 12 Mechanical, Packaging, and Orderable Information

The following pages include mechanical, packaging, and orderable information. This information is the most current data available for the designated devices. This data is subject to change without notice and revision of this document. For browser-based versions of this data sheet, refer to the left-hand navigation.

**PACKAGING INFORMATION**

Orderable Device	Status (1)	Package Type	Package Drawing	Pins	Package Qty	Eco Plan (2)	Lead finish/ Ball material (6)	MSL Peak Temp (3)	Op Temp (°C)	Device Marking (4/5)	Samples
TPS61158DRVR	ACTIVE	WSO8	DRV	6	3000	RoHS & Green	NIPDAU	Level-2-260C-1 YEAR	-40 to 85	SIW	<b>Samples</b>

(1) The marketing status values are defined as follows:

**ACTIVE:** Product device recommended for new designs.

**LIFEBUY:** TI has announced that the device will be discontinued, and a lifetime-buy period is in effect.

**NRND:** Not recommended for new designs. Device is in production to support existing customers, but TI does not recommend using this part in a new design.

**PREVIEW:** Device has been announced but is not in production. Samples may or may not be available.

**OBSOLETE:** TI has discontinued the production of the device.

(2) **RoHS:** TI defines "RoHS" to mean semiconductor products that are compliant with the current EU RoHS requirements for all 10 RoHS substances, including the requirement that RoHS substance do not exceed 0.1% by weight in homogeneous materials. Where designed to be soldered at high temperatures, "RoHS" products are suitable for use in specified lead-free processes. TI may reference these types of products as "Pb-Free".

**RoHS Exempt:** TI defines "RoHS Exempt" to mean products that contain lead but are compliant with EU RoHS pursuant to a specific EU RoHS exemption.

**Green:** TI defines "Green" to mean the content of Chlorine (Cl) and Bromine (Br) based flame retardants meet JS709B low halogen requirements of <=1000ppm threshold. Antimony trioxide based flame retardants must also meet the <=1000ppm threshold requirement.

(3) MSL, Peak Temp. - The Moisture Sensitivity Level rating according to the JEDEC industry standard classifications, and peak solder temperature.

(4) There may be additional marking, which relates to the logo, the lot trace code information, or the environmental category on the device.

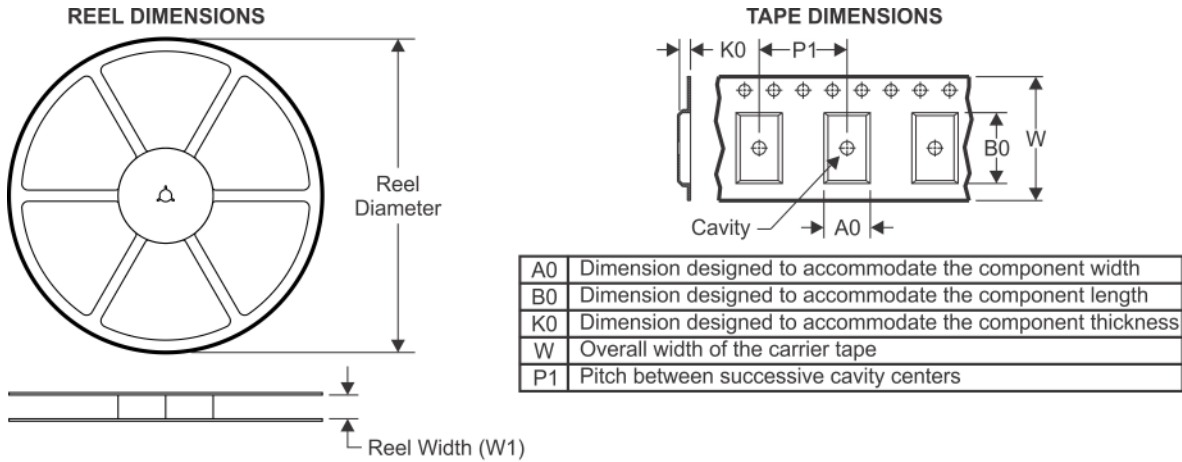
(5) Multiple Device Markings will be inside parentheses. Only one Device Marking contained in parentheses and separated by a "-" will appear on a device. If a line is indented then it is a continuation of the previous line and the two combined represent the entire Device Marking for that device.

(6) Lead finish/Ball material - Orderable Devices may have multiple material finish options. Finish options are separated by a vertical ruled line. Lead finish/Ball material values may wrap to two lines if the finish value exceeds the maximum column width.

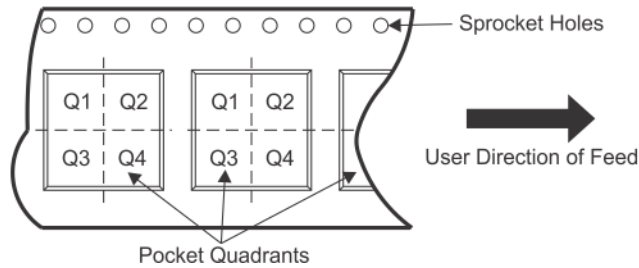
**Important Information and Disclaimer:**The information provided on this page represents TI's knowledge and belief as of the date that it is provided. TI bases its knowledge and belief on information provided by third parties, and makes no representation or warranty as to the accuracy of such information. Efforts are underway to better integrate information from third parties. TI has taken and continues to take reasonable steps to provide representative and accurate information but may not have conducted destructive testing or chemical analysis on incoming materials and chemicals. TI and TI suppliers consider certain information to be proprietary, and thus CAS numbers and other limited information may not be available for release.

In no event shall TI's liability arising out of such information exceed the total purchase price of the TI part(s) at issue in this document sold by TI to Customer on an annual basis.

## TAPE AND REEL INFORMATION



### QUADRANT ASSIGNMENTS FOR PIN 1 ORIENTATION IN TAPE



\*All dimensions are nominal

Device	Package Type	Package Drawing	Pins	SPQ	Reel Diameter (mm)	Reel Width W1 (mm)	A0 (mm)	B0 (mm)	K0 (mm)	P1 (mm)	W (mm)	Pin1 Quadrant
TPS61158DRVR	WSON	DRV	6	3000	180.0	8.4	2.3	2.3	1.15	4.0	8.0	Q2



TAPE AND REEL BOX DIMENSIONS



\*All dimensions are nominal

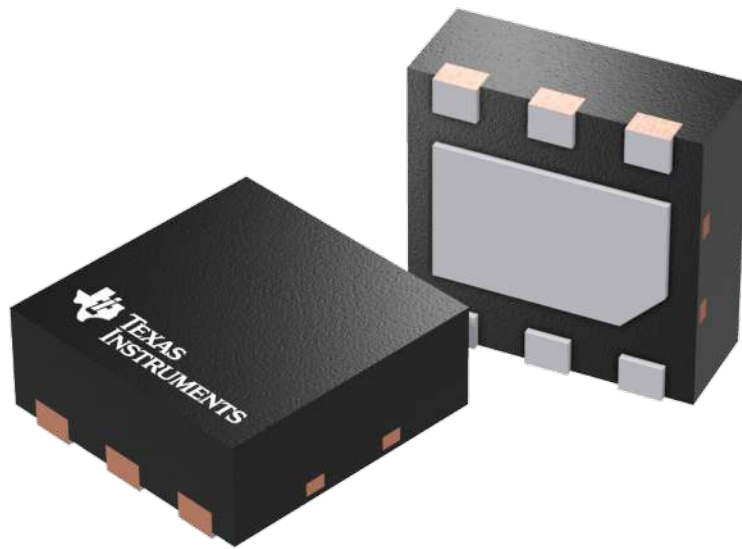
Device	Package Type	Package Drawing	Pins	SPQ	Length (mm)	Width (mm)	Height (mm)
TPS61158DRVR	WSON	DRV	6	3000	210.0	185.0	35.0

## GENERIC PACKAGE VIEW

DRV 6

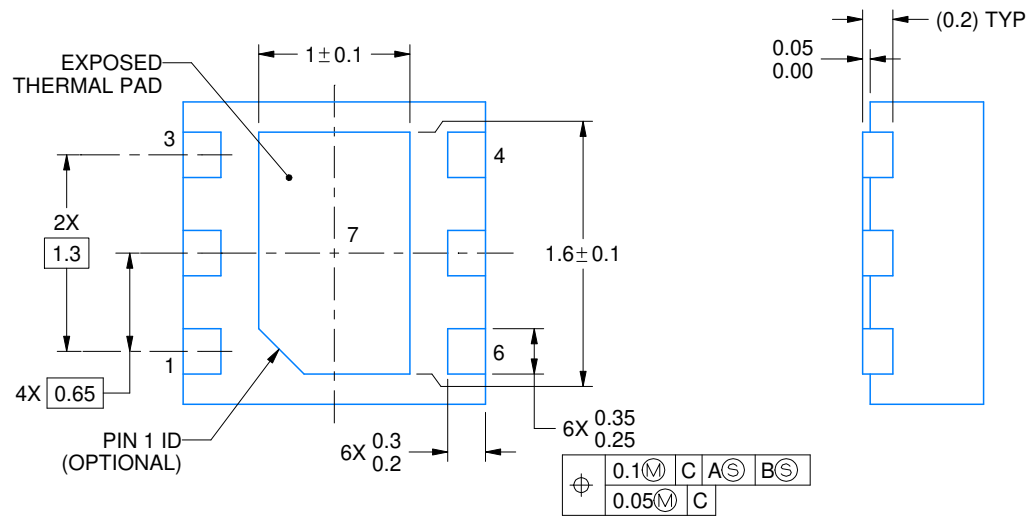
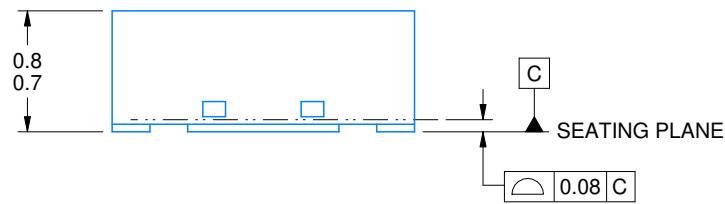
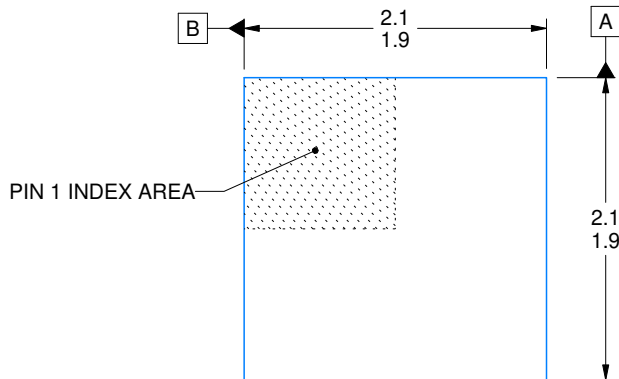
WSON - 0.8 mm max height

PLASTIC SMALL OUTLINE - NO LEAD



Images above are just a representation of the package family, actual package may vary.  
Refer to the product data sheet for package details.

4206925/F



4222173/B 04/2018

NOTES:

1. All linear dimensions are in millimeters. Any dimensions in parenthesis are for reference only. Dimensioning and tolerancing per ASME Y14.5M.
2. This drawing is subject to change without notice.
3. The package thermal pad must be soldered to the printed circuit board for thermal and mechanical performance.

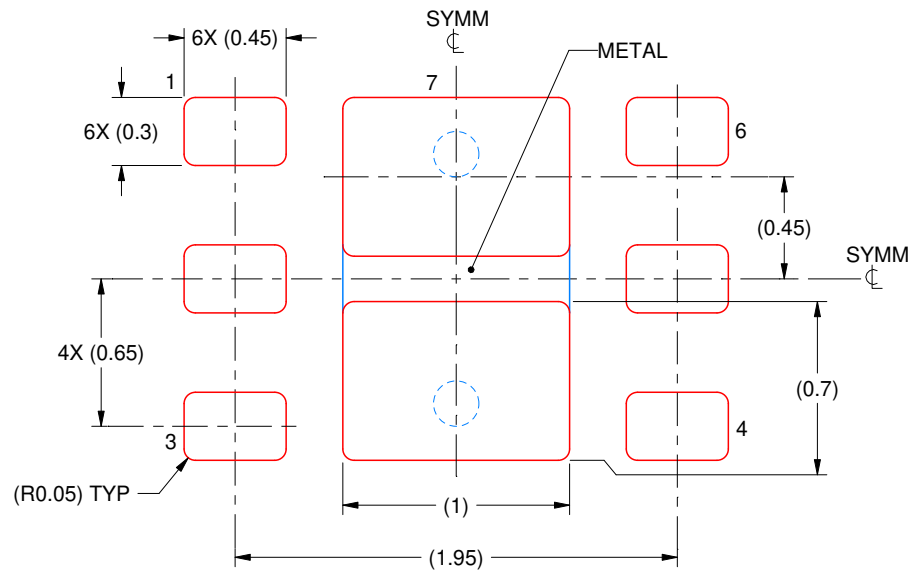


# EXAMPLE STENCIL DESIGN

DRV0006A

WSON - 0.8 mm max height

PLASTIC SMALL OUTLINE - NO LEAD



SOLDER PASTE EXAMPLE  
BASED ON 0.125 mm THICK STENCIL

EXPOSED PAD #7  
88% PRINTED SOLDER COVERAGE BY AREA UNDER PACKAGE  
SCALE:30X

4222173/B 04/2018

NOTES: (continued)

6. Laser cutting apertures with trapezoidal walls and rounded corners may offer better paste release. IPC-7525 may have alternate design recommendations.

## IMPORTANT NOTICE AND DISCLAIMER

TI PROVIDES TECHNICAL AND RELIABILITY DATA (INCLUDING DATASHEETS), DESIGN RESOURCES (INCLUDING REFERENCE DESIGNS), APPLICATION OR OTHER DESIGN ADVICE, WEB TOOLS, SAFETY INFORMATION, AND OTHER RESOURCES "AS IS" AND WITH ALL FAULTS, AND DISCLAIMS ALL WARRANTIES, EXPRESS AND IMPLIED, INCLUDING WITHOUT LIMITATION ANY IMPLIED WARRANTIES OF MERCHANTABILITY, FITNESS FOR A PARTICULAR PURPOSE OR NON-INFRINGEMENT OF THIRD PARTY INTELLECTUAL PROPERTY RIGHTS.

These resources are intended for skilled developers designing with TI products. You are solely responsible for (1) selecting the appropriate TI products for your application, (2) designing, validating and testing your application, and (3) ensuring your application meets applicable standards, and any other safety, security, or other requirements. These resources are subject to change without notice. TI grants you permission to use these resources only for development of an application that uses the TI products described in the resource. Other reproduction and display of these resources is prohibited. No license is granted to any other TI intellectual property right or to any third party intellectual property right. TI disclaims responsibility for, and you will fully indemnify TI and its representatives against, any claims, damages, costs, losses, and liabilities arising out of your use of these resources.

TI's products are provided subject to TI's Terms of Sale (<https://www.ti.com/legal/termsofsale.html>) or other applicable terms available either on [ti.com](https://www.ti.com) or provided in conjunction with such TI products. TI's provision of these resources does not expand or otherwise alter TI's applicable warranties or warranty disclaimers for TI products.

Mailing Address: Texas Instruments, Post Office Box 655303, Dallas, Texas 75265  
Copyright © 2021, Texas Instruments Incorporated