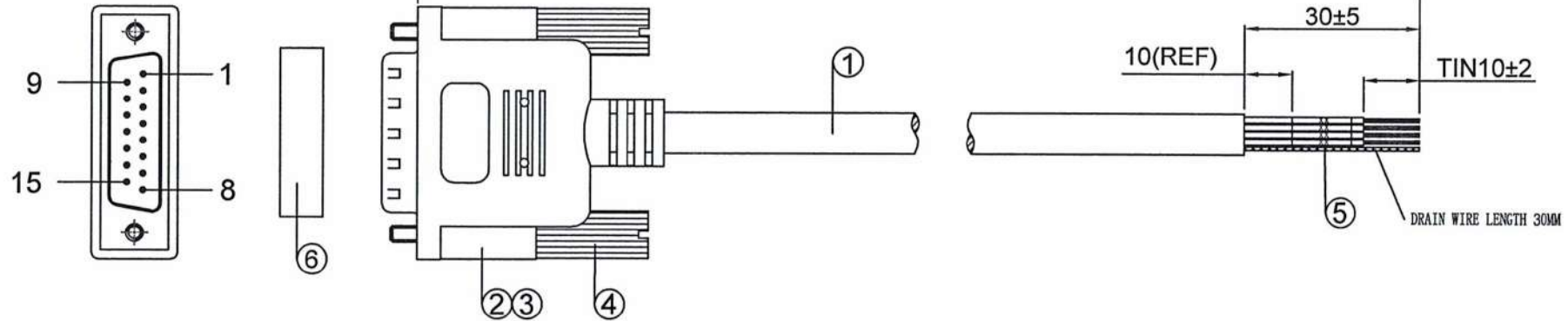


**P1
DB MALE**



PINOUT:

CUSTOMER P/N:	COLOR	LENGTH(xx)
DBC-15MW-05	BLACK	1525+30/-10mm
DBC-15MW-10	BLACK	3050+30/-10mm
DBC-15MW-15	BLACK	4575+40/-10mm
DBC-15MW-25	BLACK	7625+80/-10mm
DBC-15MW-35	BLACK	10675+80/-10mm

P1	COLOR	LABEL
1	BLACK	P1
2	BROWN	P2
3	RED	P3
4	ORANGE	P4
5	YELLOW	P5
6	GREEN	P6
7	BLUE	P7
8	PURPLE	P8
9	GRAY	P9
10	WHITE	P10
11	PINK	P11
12	LIGHT GREEN	P12
13	BLACK/WHITE	P13
14	BROWN/WHITE	P14
15	RRED/WHITE	P15
SHELL	DRAIN	

SPEC:

1. UL 2464 28AWG*15C+DRAIN+AL JACKET BLACK IN COLOR OD:5.5mm
2. DB 15P MALE TYPE BLACK COLOR SHELL NICKEL PLATED
3. MOLDING PVC(UL94-V0) BLACK IN COLOR
4. MOLDING SCREW 4-40UNC 4*38.5mm
5. HEAT SHRINK TUBE LABEL WHITE IN COLOR L=15MM
6. DUST CAP

REV	DATE	DESCRIPTION	DRAWN BY	CHECKED BY	SALES	APPROVAL BY				SHEET NO.
A/1	2023.03.13		<i>[Signature]</i>	<i>[Signature]</i>	<i>milan</i>	<i>[Signature]</i>	CompuCable^{USA}			P/N: DBC-15MW**
			SCALE:	UNIT:MM	DATE: 2023.03.29					1/1