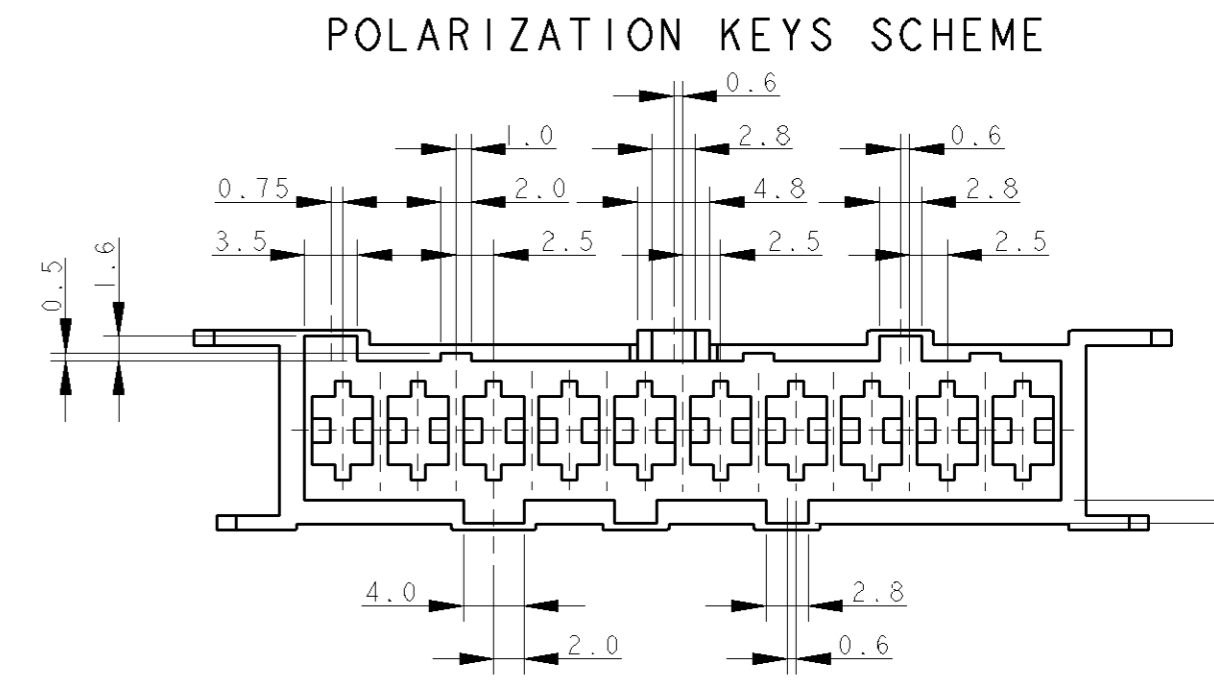
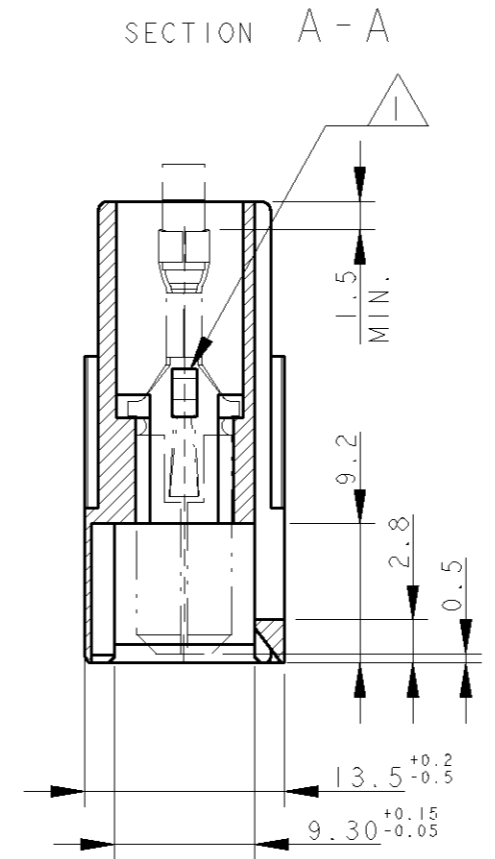
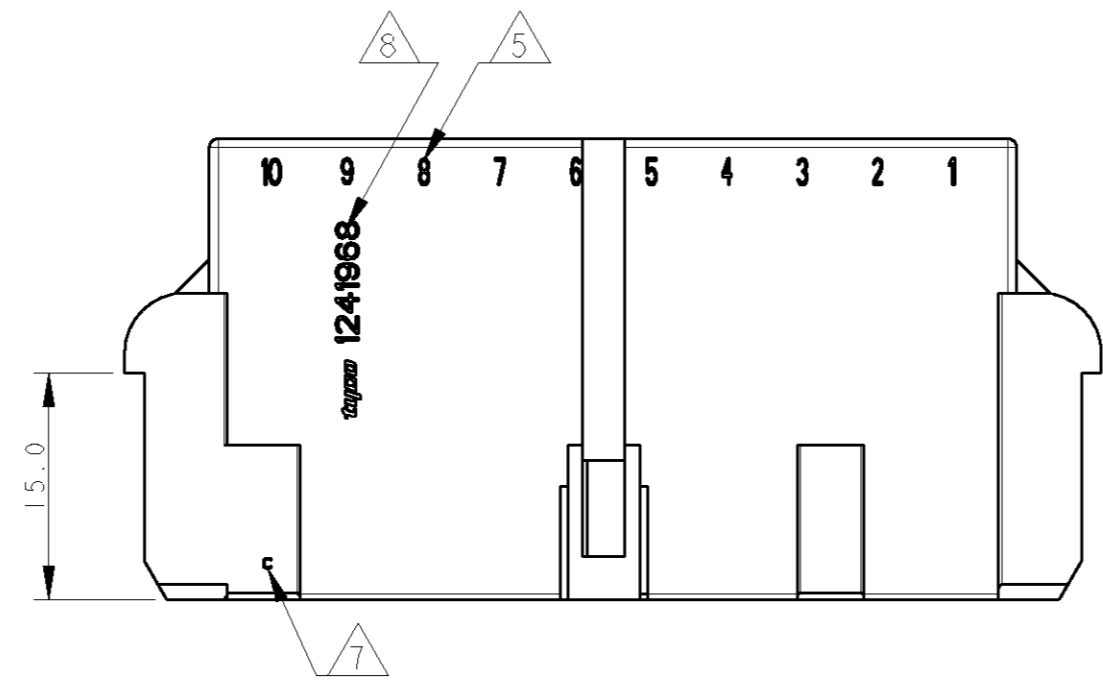
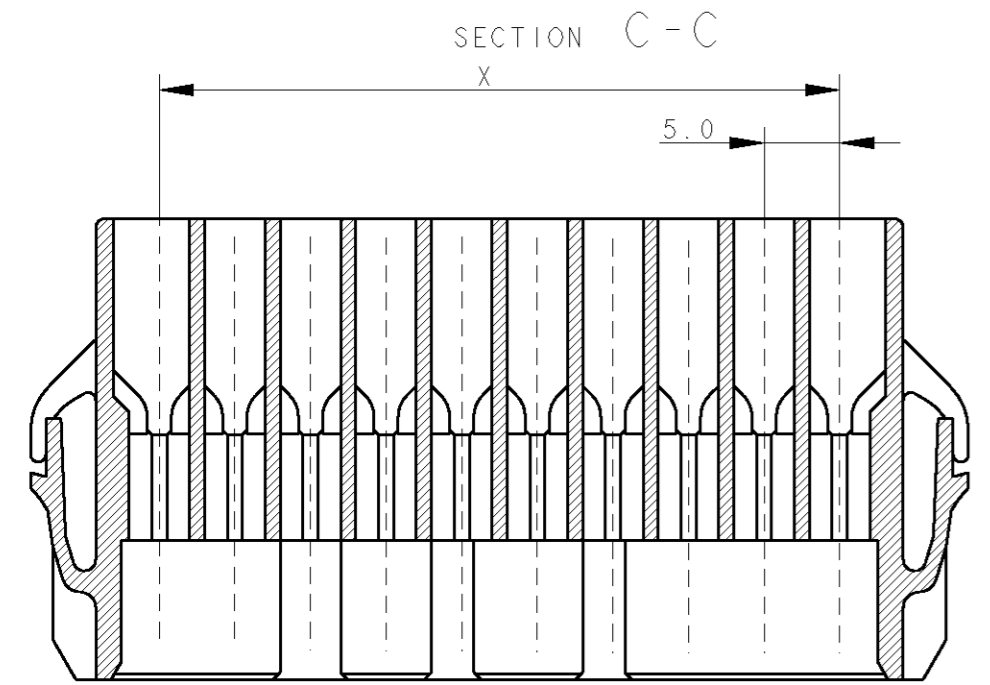
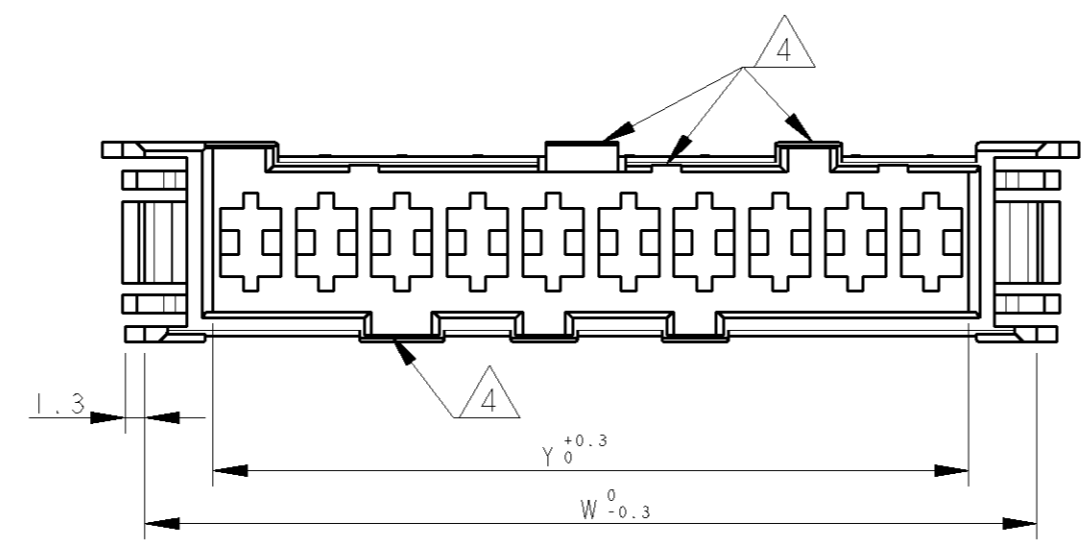
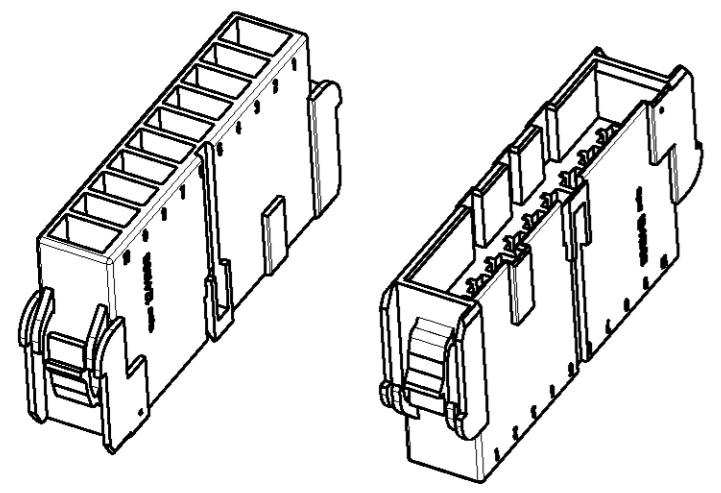


THIS DRAWING IS UNPUBLISHED. RELEASED FOR PUBLICATION 2003
 © COPYRIGHT 2003 BY TYCO ELECTRONICS CORPORATION. ALL RIGHTS RESERVED.

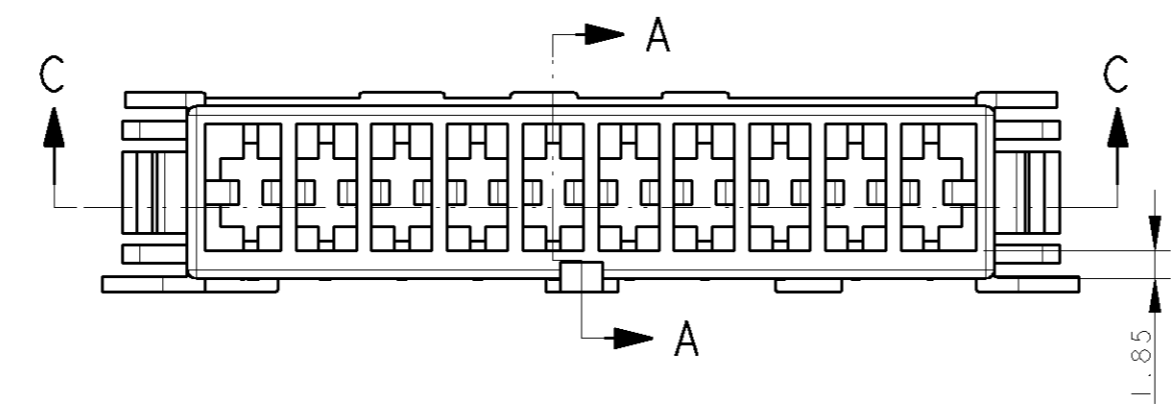
LOC	DIST	REVISIONS					
		P	LTR	DESCRIPTION	DATE	DWN	APVD
		B		REDRAWN, ECR-05-009400.	22AUG2005	HY	GT



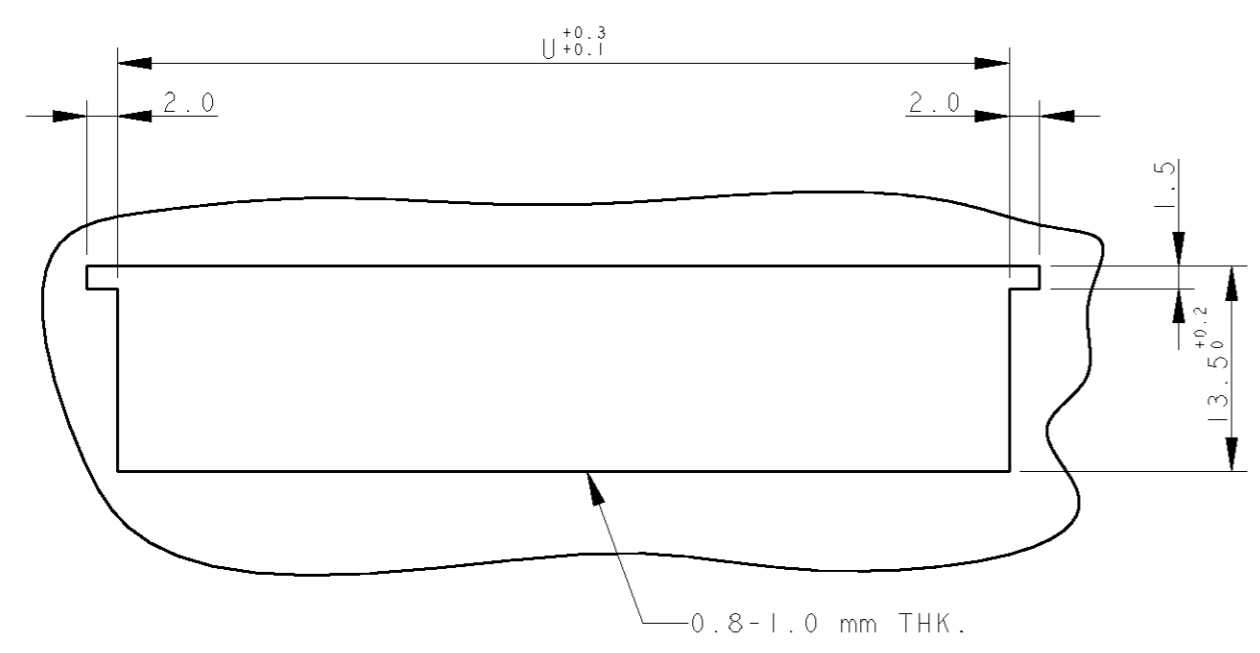
- 1 TYPICAL CAVITY SUITABLE FOR:
FASTIN-FASTON TAB CONTACTS 6.3 mm SRS:
P/N: 60294, 0.3-0.8 mm² WIRE RANGE
160691, 0.3-0.8 mm² WIRE RANGE
AMPLIVAR CONTACTS:
P/N: 141051, 0.1-0.5 mm² WIRE RANGE
142411, 0.3-1.6 mm² WIRE RANGE
MAX. INSULATION DIA. 2.8 mm,
MAX. INSULATION CRIMP WIDTH 3.3 mm.
- 2 TYCO TRADEMARK "LOGO" AND
TYCO ELECTRONICS "PART NUMBER"
OPTIONAL POSITION.
- 3 CIRCUIT IDENTIFICATION NUMBERS.
- 4 POLARIZATION KEYS DIMENSIONS AND POSITIONS
ARE ACCORDING TO "RAST 5" NORM
- 5 PA UNFILLED, UL 94-V2,
ACCORDING TO IEC 60335-1 NORM.
- 6 PA UNFILLED, UL 94-V2



SCALE 1:1



PANEL CUT DIMENSIONS



12	69.0	69.0	55.0	60.0	-	-	-	-	-
11	64.0	64.0	50.0	55.0	-	-	-	-	-
10	59.0	59.0	45.0	50.0	1-1241968-5	1-928344-0	SEE NOTE 5	NATUR	B
10	59.0	59.0	45.0	50.0	1-1241968-0	1-928344-0	SEE NOTE 6	NATUR	B
9	54.0	54.0	40.0	45.0	-	-	-	-	-
8	49.0	49.0	35.0	40.0	-	-	-	-	-
6	39.0	39.0	25.0	30.0	-	-	-	-	-
5	34.0	34.0	20.0	25.2	-	-	-	-	-
4	29.0	29.0	15.0	20.2	-	-	-	-	-
3	24.0	24.0	10.0	15.2	-	-	-	-	-
2	19.0	19.0	5.0	10.2	-	-	-	-	-
POS.	U	W	X	Y	P/N	STAND. TIMER	MATERIAL	COLOUR	REV.

PARTS LIST

THIS DRAWING IS A CONTROLLED DOCUMENT FOR TYCO ELECTRONICS CORPORATION IT IS SUBJECT TO CHANGE AND THE CONTROLLING ENGINEERING ORGANIZATION SHOULD BE CONTACTED FOR THE LATEST REVISION.		DWN H. YAALI	22AUG2005	tyco Electronics		tyco Electronics AMP Italia S.p.A. C.so F.lli Cervi, 15 COLLENO (TO)	
DIMENSIONS: mm		CHK G. TURCO	-	NAME 2-12 POS. FASTIN-FASTON* Connectors TAB HOUSING, RAST 5 PANEL MOUNT VERSION			
TOLERANCES UNLESS OTHERWISE SPECIFIED:		APVD -	-	PRODUCT SPEC -			
0 PLC ±				APPLICATION SPEC -			
1 PLC ±0.2				WEIGHT -			
2 PLC ±				SIZE A2			
3 PLC ±				CAGE CODE 00779			
4 PLC ±				DRAWING NO G-1241968			
ANGLES ±°				RESTRICTED TO -			
FINISH				SCALE 2:1			
SEE TABLE		CUSTOMER DRAWING		SHEET 1 OF 1			
				REV B			