

10 9 8 7 6 5 4 3 2 1

**NOTES :**

**1- MATERIAL:**

-HOUSING AND MODULE: POLYAMIDE FIBER GLASS FILLED UL 94-V0 COLOR BLACK.

-TERMINAL: PHOSPHOR BRONZE .

**PLATING:**

POST PLATE 0.00127-0.00152/.000050-.000060 GOLD IN CONTACT AREA.

0.00190/.000075 MIN PURE TIN IN TAIL AREA BOTH OVER 0.00127/.000050 MIN NICKEL OVERALL.

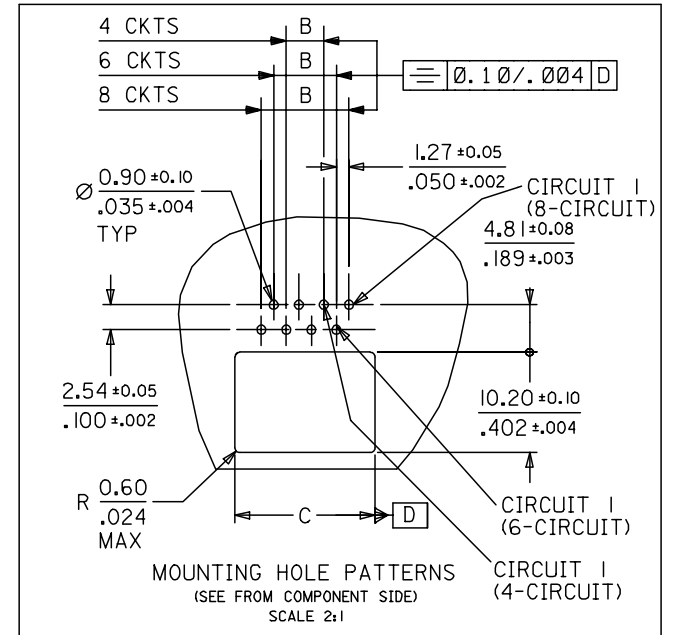
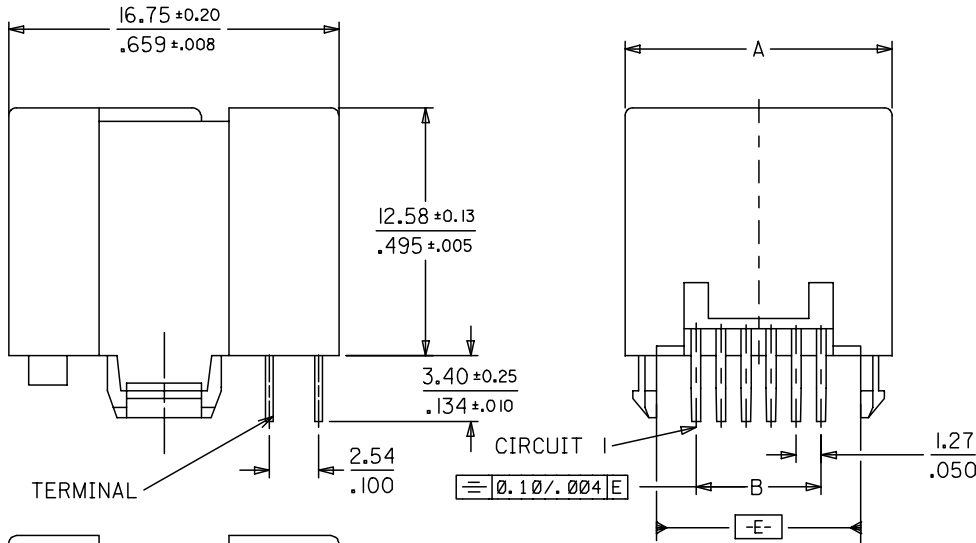
2- JACK FOR MATING WITH FCC 68 PLUGS 90075 MOLEX SERIES.

3- PCB THICKNESS : 1.57 / .062

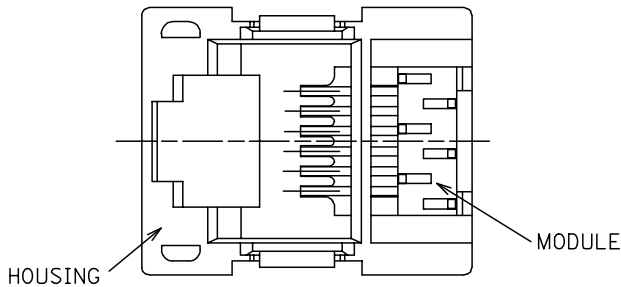
4- PRODUCT SPECIFICATION PS-95002-003

5- APPLICATION SPECIFICATION AS-95001.

6- PACKAGING SPECIFICATION PK-95002



P/N	HOUSING SIZE	CKTS.	DIM.		
			A ±0.13	B $\begin{matrix} +0.05 \\ -0.10 \\ +.002 \\ -.004 \end{matrix}$	C $\begin{matrix} \pm 0.08 \\ \pm .003 \end{matrix}$
95002-2443	POS 4	4 CKTS	$\frac{11.50}{.453}$	$\frac{3.81}{.150}$	$\frac{10.20}{.402}$
95002-2643	POS 6	4 CKTS	$\frac{13.55}{.533}$	$\frac{3.81}{.150}$	$\frac{12.20}{.480}$
95002-2663	POS 6	6 CKTS	$\frac{13.55}{.533}$	$\frac{6.35}{.250}$	$\frac{12.20}{.480}$
95002-2883	POS 8	8 CKTS	$\frac{15.55}{.612}$	$\frac{8.89}{.350}$	$\frac{14.20}{.559}$



ENTER DESCRIPTION EC NO: MG2005-0107 DRAWN: KNOLLER 2004/09/22 CHKD: FCARABET 2004/09/22 APPR: KNOLLER 2004/09/24	QUALITY SYMBOLS ▽=0 ▽=0	GENERAL TOLERANCES (UNLESS SPECIFIED)		DIMENSION STYLE MM/IN	SCALE 4:1	DESIGN UNITS METRIC	THIRD ANGLE PROJECTION		
		4 PLACES $\begin{matrix} \pm \text{---} \\ \pm \text{---} \end{matrix}$	3 PLACES $\begin{matrix} \pm \text{---} \\ \pm .006 \end{matrix}$	2 PLACES $\begin{matrix} \pm 0.15 \\ \pm .010 \end{matrix}$	1 PLACE $\begin{matrix} \pm 0.25 \\ \pm \text{---} \end{matrix}$	DRAWN BY ER 99/02/24	DATE 99/02/24	TITLE BOTTOM ENTRY LOW PROFILE MODULAR JACK (THROUGH HOLE VERSION)	
		ANGULAR $\pm .5^\circ$				CHECKED BY MFAS 99/02/24	DATE 99/02/24	MOLEX INCORPORATED	
		DRAFT WHERE APPLICABLE MUST REMAIN WITHIN DIMENSIONS				APPROVED BY FB 99/02/24	DATE 99/02/24	MATERIAL NO. SEE CHART	DOCUMENT NO. SD-95002-001
SHEET NO. 1 OF 1		THIS DRAWING CONTAINS INFORMATION THAT IS PROPRIETARY TO MOLEX INCORPORATED AND SHOULD NOT BE USED WITHOUT WRITTEN PERMISSION							

9 8 7 6 5 4 3 2 1