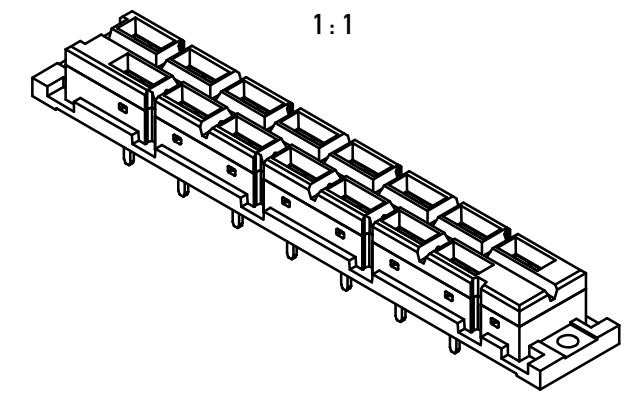
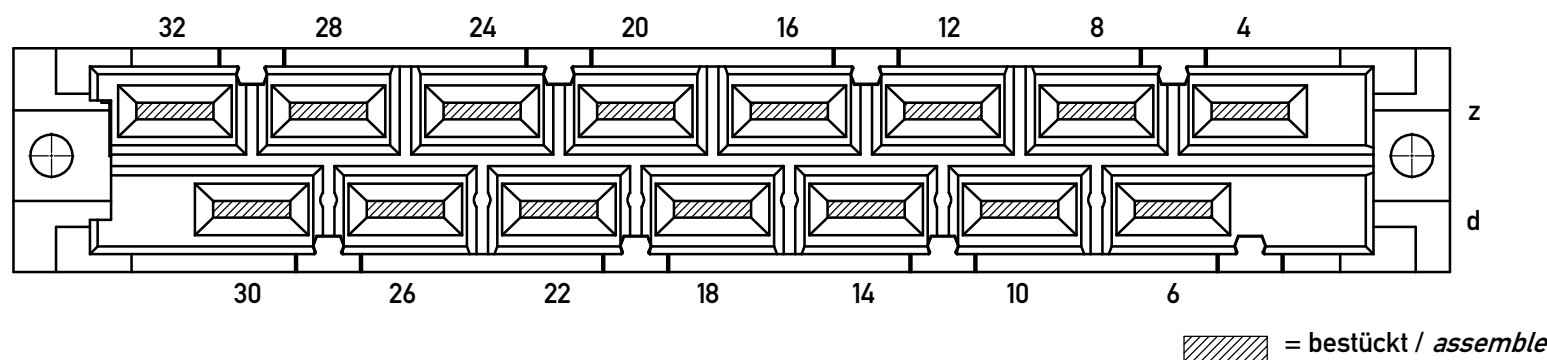
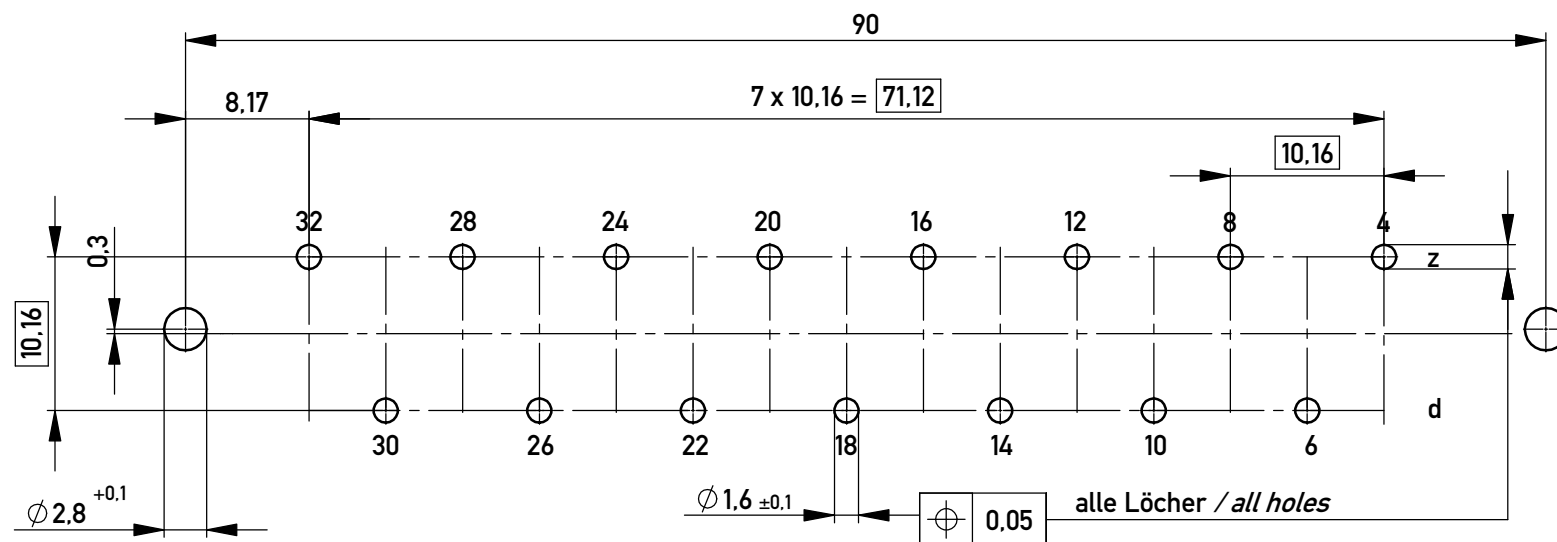


Lötanschluss 1,2 x 0,6 mm / solder terminal 1,2 x 0,6 mm  
 Anforderungsstufe 1 = 500 Steckzyklen / performance class 1 = 500 mating cycles  
 Bauart 2 / type 2  
 Fehlende Masse und Angaben nach IEC 60 603-2 / DIN EN 60 603-2  
 Missing information nad dimensions per IEC 60 603-2 / DIN EN 60 603-2

Bestückungsplan / contact layout



Leiterplatten-Layout / PCB drillhole pattern



Information:		Tolerances	All Dimensions in mm	Scale	2:1
All rights reserved. Only for Information. To ensure that this is the latest version of this drawing, please contact one of the ERNI companies before using.		Subject to modification without prior notice. Drawing will not be updated.		Designation	
		www.ERNI.com		Federleiste H15 Solder Fem. Connector H15 Löt	
d	01.07.2016			594750	
Index	Date			I A3	
				Class	STVH15

Copyright by ERNI GmbH  
 Proprietary notice pursuant to ISO 16016 to be observed.