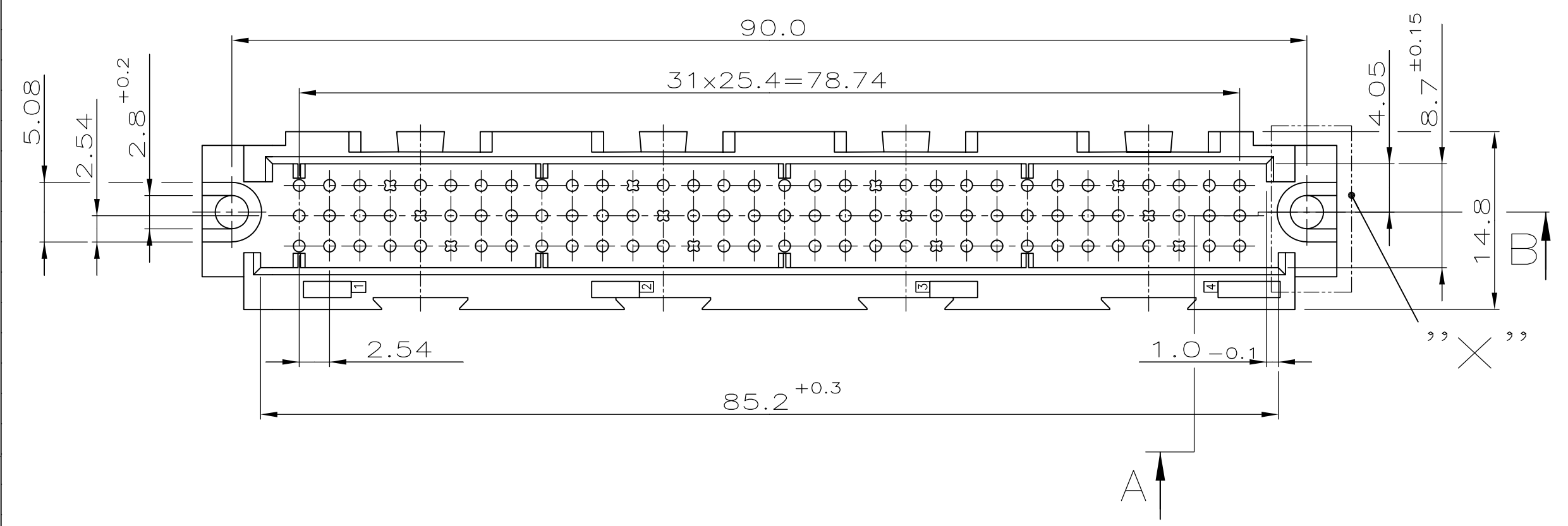
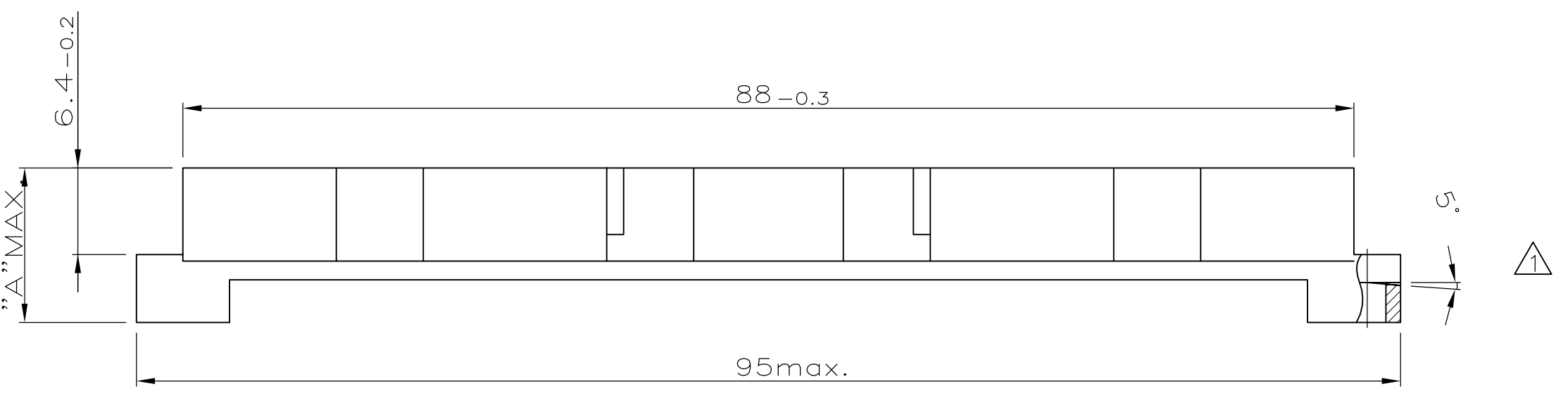
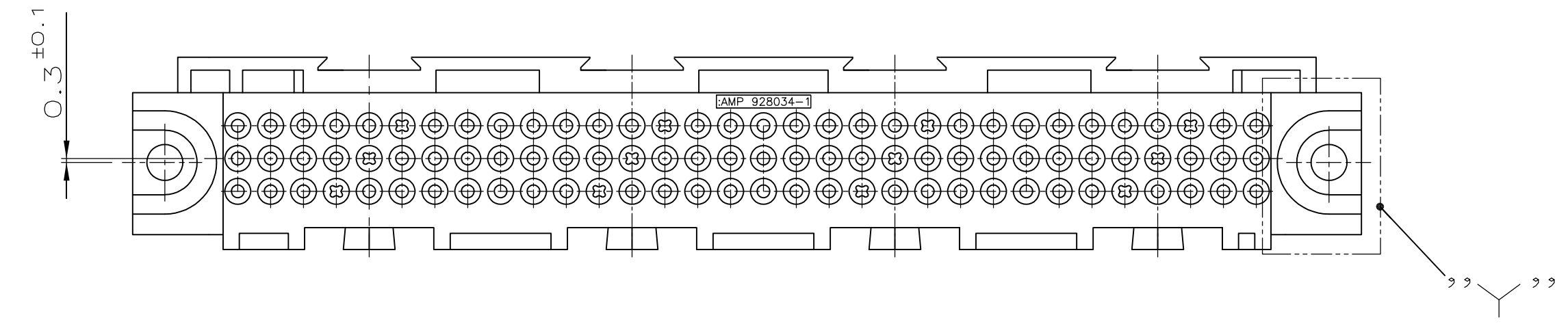


LOC		DIST		REVISIONS			
P	LTR	DESCRIPTION	DATE	DWN	APVD		
C		COLOR CHANGE TO BLACK, DIM 8.7 -TOL CHANGE	21MAY2014	PS	JK		



-1 WIE GEZEICHNET

- △ BEIDE FLANSCH
- △ OBSOLETE PARTS: OBSOLETE CIS STREAMLINING PER D.RENAUD/D.SINISI
- △ OBSOLETE

EINZELHEIT "Y" △				
VERSION A	VERSION B	VERSION C	VERSION D	

SCHNITT A-B △				
VERSION A	VERSION B	VERSION C	VERSION D	VERSION E

EINZELHEIT "X" △				
VERSION A	VERSION B	VERSION C	VERSION D	VERSION E
POLARISIERUNG △		TEILUNGSRIPPEN		
A	B	 		

USED ON	POLARI- SIERUNG	TEILUNGS- RIPPEN	SCHNITT A-B	EINZEL- HEIT "Y"	EINZEL- HEIT "X"	MASS "B"	MASS "A"	FARBE	BESTELL- NUMBER
B	NEIN	E	A	E	10.25	18.25	GRAU	9-928034-4	△
B	JA	E	A	E	10.25	18.25	GRAU	9-928034-3	△
A	NEIN	E	A	E	10.25	18.25	GRAU	9-928034-2	△
A	JA	E	A	E	10.25	18.25	GRAU	9-928034-1	△
B	NEIN	A	A	E	3.6	11.6	GRAU	8-928034-4	△
B	JA	A	A	E	3.6	11.6	GRAU	8-928034-3	△
A	NEIN	A	A	E	3.6	11.6	GRAU	8-928034-2	△
A	JA	A	A	E	3.6	11.6	GRAU	8-928034-1	△
B	NEIN	E	A	D	3.6	11.6	BLACK	7-928034-4	△
B	JA	E	A	D	3.6	11.6	GRAU	7-928034-3	△
A	NEIN	E	A	D	3.6	11.6	GRAU	7-928034-2	△
A	JA	E	A	D	3.6	11.6	GRAU	7-928034-1	△
B	NEIN	D	D	C	-	11.6	BLACK	6-928034-4	△
B	JA	D	D	C	-	11.6	GRAU	6-928034-3	△
A	NEIN	D	D	C	-	11.6	GRAU	6-928034-2	△
A	JA	D	D	C	-	11.6	GRAU	6-928034-1	△
B	NEIN	C	C	B	8.3	16.3	GRAU	5-928034-4	△
B	JA	C	C	B	8.3	16.3	GRAU	5-928034-3	△
A	NEIN	C	C	B	8.3	16.3	GRAU	5-928034-2	△
A	JA	C	C	B	8.3	16.3	GRAU	5-928034-1	△
B	NEIN	C	C	B	9.2	17.2	SCHWARZ	4-928034-4	△
B	JA	C	C	B	9.2	17.2	SCHWARZ	4-928034-3	△
A	NEIN	C	C	B	9.2	17.2	SCHWARZ	4-928034-2	△
A	JA	C	C	B	9.2	17.2	SCHWARZ	4-928034-1	△
B	NEIN	B	B	A	6.6	14.6	GRAU	3-928034-4	△
B	JA	B	B	A	6.6	14.6	GRAU	3-928034-3	△
A	NEIN	B	B	A	6.6	14.6	GRAU	3-928034-2	△
A	JA	B	B	A	6.6	14.6	GRAU	3-928034-1	△
B	NEIN	B	B	A	3.6	11.6	GRAU	2-928034-4	△
B	JA	B	B	A	3.6	11.6	GRAU	2-928034-3	△
A	NEIN	B	B	A	3.6	11.6	GRAU	2-928034-2	△
A	JA	B	B	A	3.6	11.6	GRAU	2-928034-1	△
B	NEIN	A	A	A	6.6	14.6	GRAU	1-928034-4	△
B	JA	A	A	A	6.6	14.6	GRAU	1-928034-3	△
A	NEIN	A	A	A	6.6	14.6	GRAU	1-928034-2	△
A	JA	A	A	A	6.6	14.6	GRAU	1-928034-1	△
B	NEIN	A	A	A	3.6	11.6	BLACK	928034-4	△
B	JA	A	A	A	3.6	11.6	BLACK	928034-3	△
A	NEIN	A	A	A	3.6	11.6	GRAU	928034-2	△
A	JA	A	A	A	3.6	11.6	BLACK	928034-1	△

THIS DRAWING IS A CONTROLLED DOCUMENT. DIN WRULICH 18.05.89. CHK KRAMER 18.05.89. PRODUCT SPEC. APPLICATION SPEC. MATERIAL PC. FINISH COLOR - BLACK. WEIGHT. CUSTOMER DRAWING. SCALE 2:1. SHEET 1 OF 1. REV C.

STE TE Connectivity
96 POS. SHROUDED PIN HOUSING