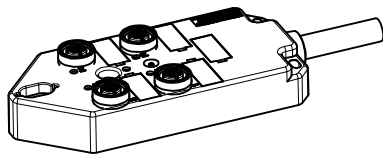
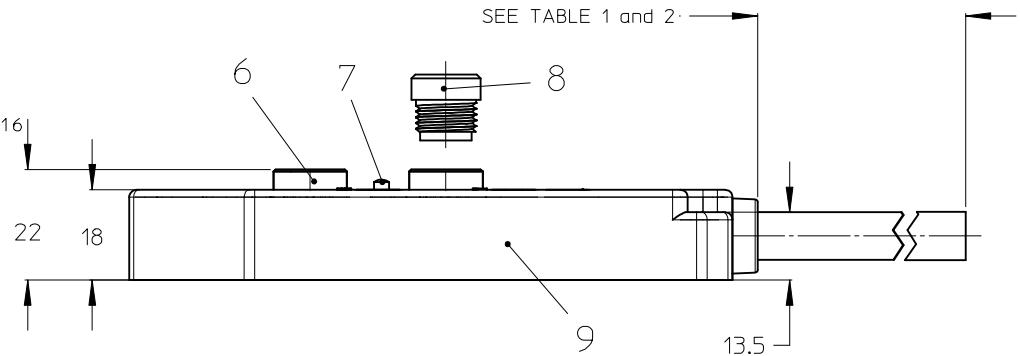
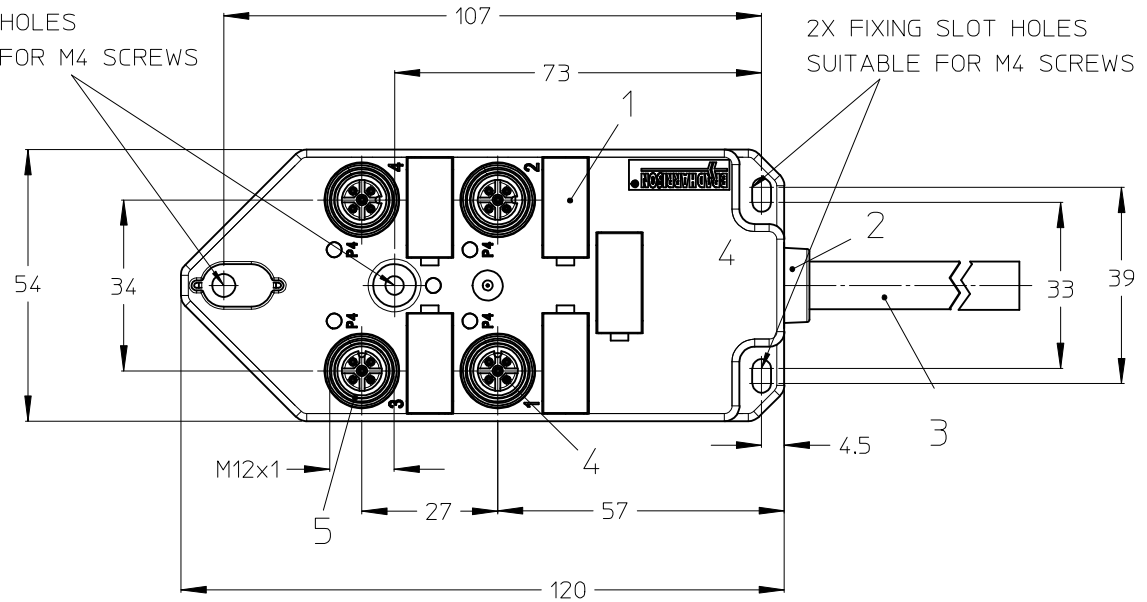


# TABLE 1 BILL OF MATERIAL

ITEM	QTY	DESCRIPTION	MATERIAL	FINISH
1	5	LABEL	ABS	WHITE
2	1	CABLE PLATE	PBT	YELLOW
3	1	CABLE	SEE ENG. NO. MATRIX	SEE ENG. NO. MATRIX
4	16	CONTACT	BRASS	GOLD OVER NICKEL
5	4	O-RING	FPM	RED
6	4	SHELL	BRASS	NICKEL PLATET
7	5	LED	NON LED = PBT/ WITH LED = PA	NON LED=YELLOW/ WITH LED=TRANSPARENT
8	2	PROTECTING CAP	PP	BLACK
9	1	HOUSING	PBT	YELLOW

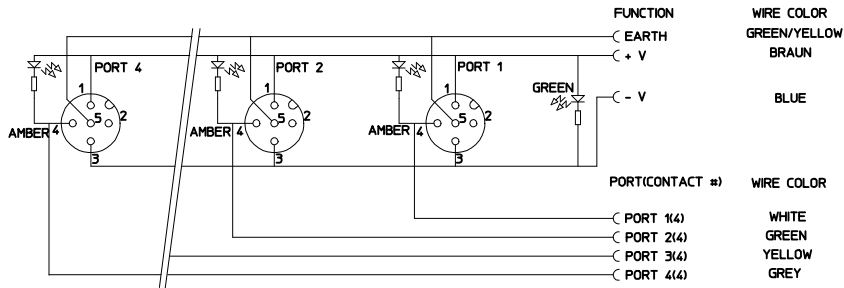
# GENERAL CHARACTERISTICS

NOMINAL VOLTAGE : 10-30 V DC  
 POLLUTION DEGREE : 3  
 RATED CURRENT : 4 A PER PORT / 12 A MAX: TOTAL  
 CONTACT RESISTANCE :  $\leq 5 \text{ m}\Omega$   
 ISULATION RESISTANCE :  $> 10^8 \text{ OHM}$   
 IP DEGREE OF PROTECTION : IP 67  
 IP 68 REFER TO TEST SUMMARY TS-120005-016  
  
 TEMPERATURE RANGE : -25°C to + 85°C  
 (BOX ONLY)  
  
 FLAMMABILITY :  
 Insert : V0  
 HOUSING : V0  
 POTTING MATERIAL : V0

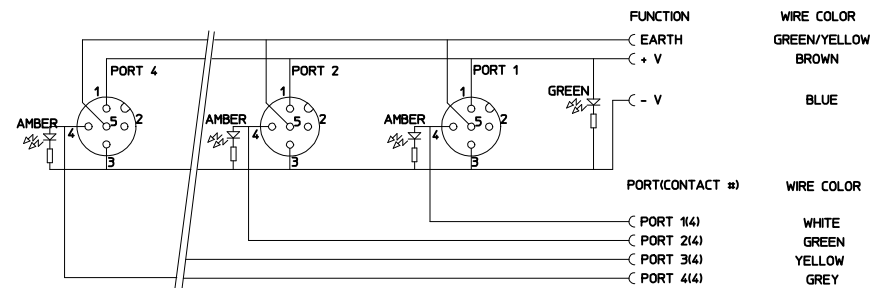


ENTER DESCRIPTION EC NO: IPG2014-0267 DRW:JULIETTE/MEIER/2013/09/24 CHK:DHS/ILLER 2013/09/25 APPR:CBURGER 2013/10/07	QUALITY SYMBOLS $\nabla=0$ $\triangle=0$	GENERAL TOLERANCES (UNLESS SPECIFIED)		DIMENSION STYLE <b>MM ONLY</b>		SCALE <b>1:1</b>	DESIGN UNITS <b>METRIC</b>	THIRD ANGLE PROJECTION	
		4 PLACES $\pm$ --- $\pm$ ---	mm INCH	DRAWN BY LSG	DATE 2011/08/18	TITLE <b>MPIS M12 PNP NPN NOS 4P          4PT AC FE STR PUR          PVC XM</b>			
		3 PLACES $\pm$ --- $\pm$ ---		CHECKED BY ZISMAYILOV	DATE 2011/12/14	<b>molex</b>			
		2 PLACES $\pm 0.1$ $\pm$ ---		APPROVED BY CBURGER	DATE 2011/12/20	MATERIAL NO. <b>SEE TABLE 2</b>	DOCUMENT NO. <b>SD-120005-015</b>	SHEET NO. <b>1 OF 3</b>	
1 PLACE $\pm 0.2$ $\pm$ ---		DRAFT WHERE APPLICABLE MUST REMAIN WITHIN DIMENSIONS		THIS DRAWING CONTAINS INFORMATION THAT IS PROPRIETARY TO MOLEX INCORPORATED AND SHOULD NOT BE USED WITHOUT WRITTEN PERMISSION					
0 PLACE $\pm$ --- $\pm$ ---									

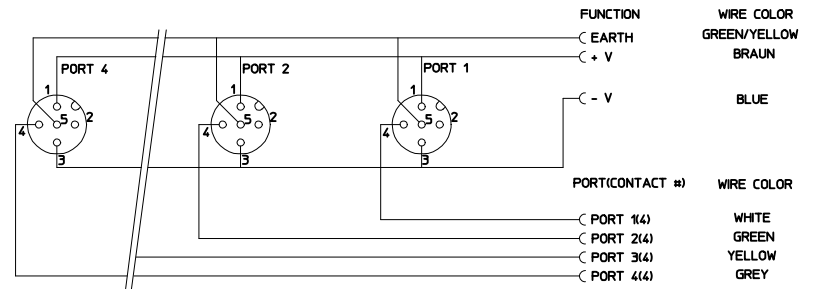
### WIRING DIAGRAM SINGLE PORT NPN



### WIRING DIAGRAM SINGLE PORT PNP



### WIRING DIAGRAM SINGLE PORT NON LED



<b>ENTER DESCRIPTION</b> EC NO: IPG2014-0267 DR:WULFETENWEIER 2013/09/24 CHKD:RSILLER 2013/09/25 APPR:CBURGER 2013/10/07	<b>QUALITY SYMBOLS</b> ▽=0 ▽=0	<b>GENERAL TOLERANCES (UNLESS SPECIFIED)</b>		<b>DIMENSION STYLE</b> MM ONLY	<b>SCALE</b> 1:1	<b>DESIGN UNITS</b> METRIC	THIRD ANGLE PROJECTION		
		4 PLACES ± --- ± ---	3 PLACES ± --- ± ---	DRAWN BY LSG	DATE 2011/08/18	<b>TITLE</b> MPIS M12 PNP NPN NOS 4P 4PT AC FE STR PUR PVC XM			
		2 PLACES ± 0.1 ± ---	1 PLACE ± 0.2 ± ---	CHECKED BY ZISMAYILOV	DATE 2011/12/14	<b>molex</b>			
		0 PLACE ± --- ± ---	ANGULAR ± 2 °	APPROVED BY CBURGER	DATE 2011/12/20	MATERIAL NO. SEE TABLE 2	DOCUMENT NO. SD-120005-015	SHEET NO. 2 OF 3	
<b>C1</b>	<b>REV</b>	DRAFT WHERE APPLICABLE MUST REMAIN WITHIN DIMENSIONS		THIS DRAWING CONTAINS INFORMATION THAT IS PROPRIETARY TO MOLEX INCORPORATED AND SHOULD NOT BE USED WITHOUT WRITTEN PERMISSION					

TABLE 2

MOLEX PN	ENG.NR.	LED	MOLEX P/N	ENG. NO	LED
1200051009	BTY400N-FBN-05	YES	1201148012	BTY400P-FBP-10	YES
1200051010	BTY400N-FBN-10	YES	1201140182	BTY400P-FBP-15	YES
1200051011	BTY400N-FBN-15	YES	1201148013	BTY400P-FBP-20	YES
1200051000	BTY400P-FBN-05	YES	1200550879	BTY400P-FBP-25	YES
1200051001	BTY400P-FBN-10	YES	1200550539	BTY400P-FBI-05	YES
1200051002	BTY400P-FBN-15	YES	1200550540	BTY400P-FBI-10	YES
1200050016	BTY400N-FBP-003	YES	1200550564	BTY400P-FBE-05	YES
1201148008	BTY400N-FBP-05	YES	1200550553	BTY400P-FBE-10	YES
1201148009	BTY400N-FBP-10	YES	1200550712	BTY400P-FBE-20	YES
1201148010	BTY400N-FBP-15	YES	1200550586	BTY4000-FBP-05	NO
1200050026	BTY400N-FBP-20	YES	1200550587	BTY4000-FBP-10	NO
1200550689	BTY400P-FBP-02	YES	1201140183	BTY4000-FBE-05	NO
1200050012	BTY400P-FBP-003	YES	1200550883	BTY400P-FBP-05-1	YES
1201148011	BTY400P-FBP-05	YES			

ENG. NO. MATRIX:

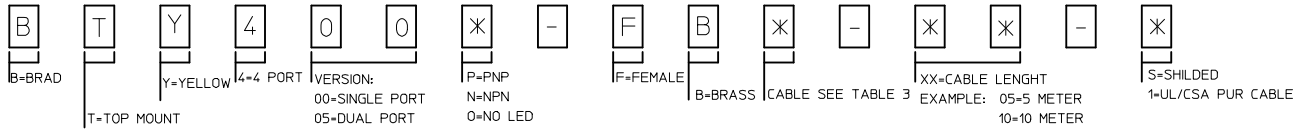


TABLE 3

CABLE	TEM. RANGE STATISCH	TEM. RANGE FLEXIBLE	CABLE DIAMETER (MM) SIGLE (4POLE) 4/6/8 PORT	CABLE DIAMETER (MM) DUAL (SPOLE) 4/6/8 PORT	DRAG CHAIN	UL STYLE
P=PUR/PVC/Black	-30°C TO +90°C	-5°C TO +90°C	8.4 ±0.2 / 9.5±0.2 / 9.5 ±0.2	9.5 ±0.2 / 9.8 ±0.2 / 11.4 ±0.2	1.5 MIO. CYCLES	-
P=PUR/PVC/Black/UL/CSA	-25°C TO +90°C	-	7.5 ± 0.2	8.6 ± 0.2	-	-
N=PVC/GREY	-	-10°C TO +80°C	8.4 ± 0.2	9.5 ± 0.2	10 MIO. CYCLES	2464
I=CEI/GREY	-5°C TO +70°C	-	8.4 ± 0.2	9.5 ± 0.2	-	-
E=PVC/YELLOW	-5°C TO +70°C	-	8.4 ± 0.2	9.5 ± 0.2	-	-

ENTER DESCRIPTION EC NO: IPG2014-0267 DRAWN:ULETTEMER 2013/09/24 CHKD:RSILLER 2013/09/25 APPR:CBURGER 2013/10/07 REV C1	QUALITY SYMBOLS ▽=0 ▽=0	GENERAL TOLERANCES (UNLESS SPECIFIED) mm INCH 4 PLACES ± --- ± --- 3 PLACES ± --- ± --- 2 PLACES ± 0.1 ± --- 1 PLACE ± 0.2 ± --- 0 PLACE ± --- ± --- ANGULAR ± 2 ° DRAFT WHERE APPLICABLE MUST REMAIN WITHIN DIMENSIONS	DIMENSION STYLE MM ONLY DRAWN BY LSG DATE 2011/08/18 CHECKED BY ZISMAYILOV DATE 2011/12/14 APPROVED BY CBURGER DATE 2011/12/20	SCALE 1:1 DESIGN UNITS METRIC THIRD ANGLE PROJECTION	TITLE MPIS M12 PNP NPN NOS 4P 4PT AC FE STR PUR PVC XM <b>molex</b> MATERIAL NO. SEE TABLE 2 DOCUMENT NO. SD-120005-015	SHEET NO. 3 OF 3
	THIS DRAWING CONTAINS INFORMATION THAT IS PROPRIETARY TO MOLEX INCORPORATED AND SHOULD NOT BE USED WITHOUT WRITTEN PERMISSION					