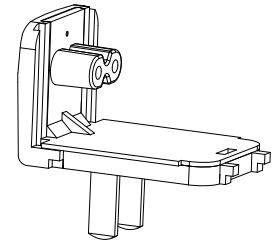
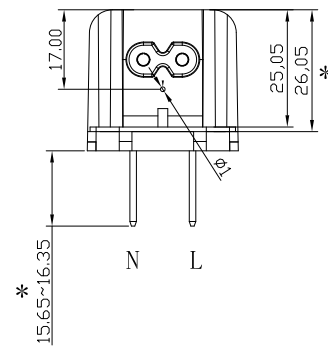
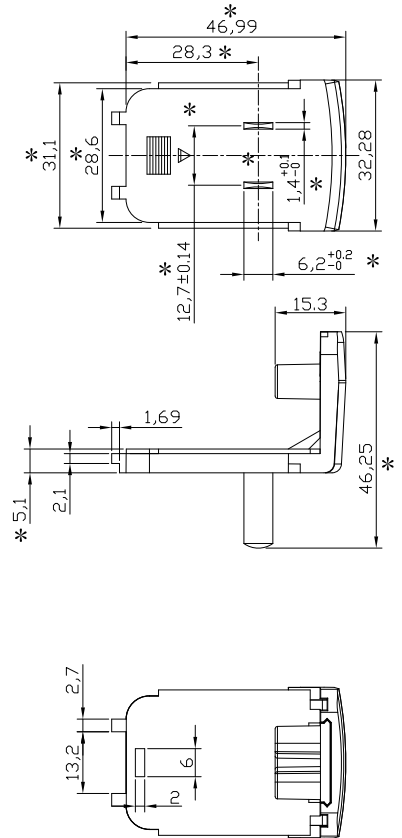


**PROPRIETARY INFORMATION:**  
 PROPRIETARY OF GLOBTEK, INC. ANY REPRODUCTION, DISCLOSURE OR USE OF THIS DRAWING, IN WHOLE OR IN PART, IS HEREBY PROHIBITED EXCEPT AS SPECIFIED IN WRITING BY GLOBTEK, INC.

REVISION			
REV	DESCRIPTION	DATE	APPROVED
A	INITIAL RELEASE, RFS. 26836	07/21/17	MK
B	UPDATE DRAWING AND ADD PACKING, RFS. 26931, NF	10/13/17	MK
C	UPDATE PACKING DRAWING, RFS. 27628	04/19/21	MK



- NOTE:**
1. Plastic material: Sabic PC945 94V-0
  2. The color is black
  3. Plastic finish: texture MT 11040
  4. Metal pin material: Brass
  5. Metal pin finish: Nickel plating
  6. No labe tolerance refer to tolerance table



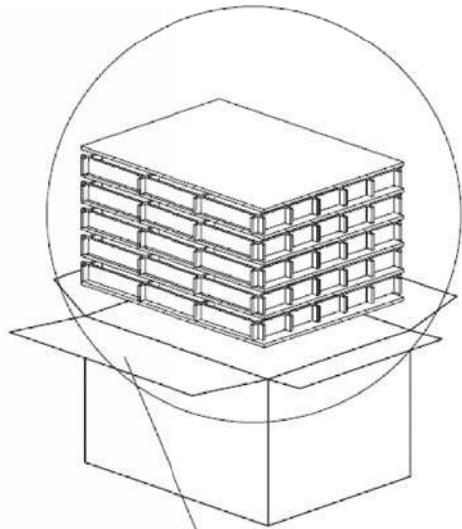
DASH NO.	PART NO	REV.	DESCRIPTION	NOTES
<b>TABULATION BLOCK</b>				
		<b>TOLERANCES:</b> DECIMALS ANGULAR .xx +/- 0.1 +/- 1° .xxx +/- .005		<b>GlobTek, Inc.</b> www.globtek.com 186 Veterans Dr. Northvale, NJ 07647 Tel. 201-784-1000 Fax 201.784.0111
		MILLIMETERS ANGULAR .xx +/- 0.3 +/- 1° .xxx +/- .013		
INIT.BY: MK	DATE: 07/21/17	DWG TITLE: CHANGEABLE BLADE R-CN-2		
DRAWN: NF	DATE: 07/21/17	FSCN No.: G, CC	SIZE A	MODEL: REV. C
APRVD: MK	DATE: 07/21/17	SCALE: NONE	PART NO: <b>R-CN-2(R)</b>	SHEET 1/2

**Foot Note:**  
 Globtek Inc. will not be liable for the safety and performance of these power product if unauthorized access and repair occurs. End user should consult the applicable UL, CSA or EN Standards for proper installation instruction.

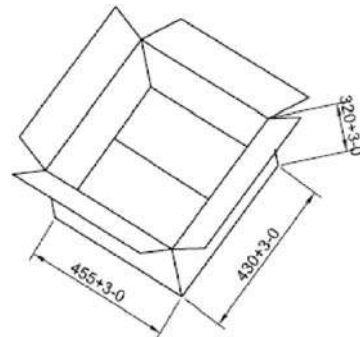
**Limitation of Use:**  
 Globtek product are not authorized for use as mission critical components in life support, hazardous environment, nuclear or aircraft applications without prior written approval from the CEO of Globtek Inc.

Contents of this document are subject to change without prior notice

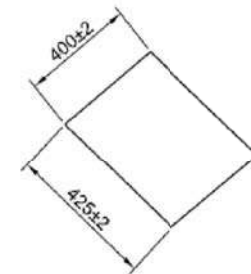
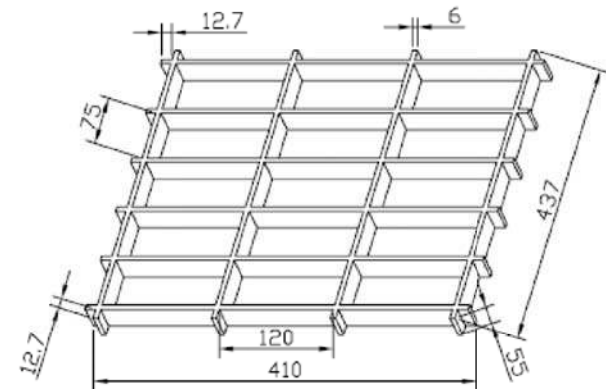
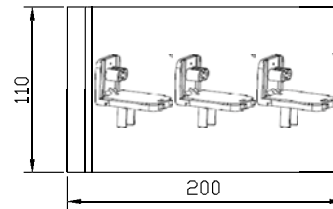
225 PCS/CARTON(15\*5\*3)



900x900防潮PE袋  
(Moisture-proof bags of PE)



OUTSIDE CARTON  
外箱



PARTITION 隔板

**GlobTek, Inc.**  
www.globtek.com

186 Veterans Dr. Northvale, NJ 07647  
Tel. 201-784-1000 Fax 201.784.0111

DWG TITLE: CHANGEABLE BLADE R-CN-2

MODEL:

REV.  
C

PART NO: **R-CN-2(R)**

SHEET 2/2