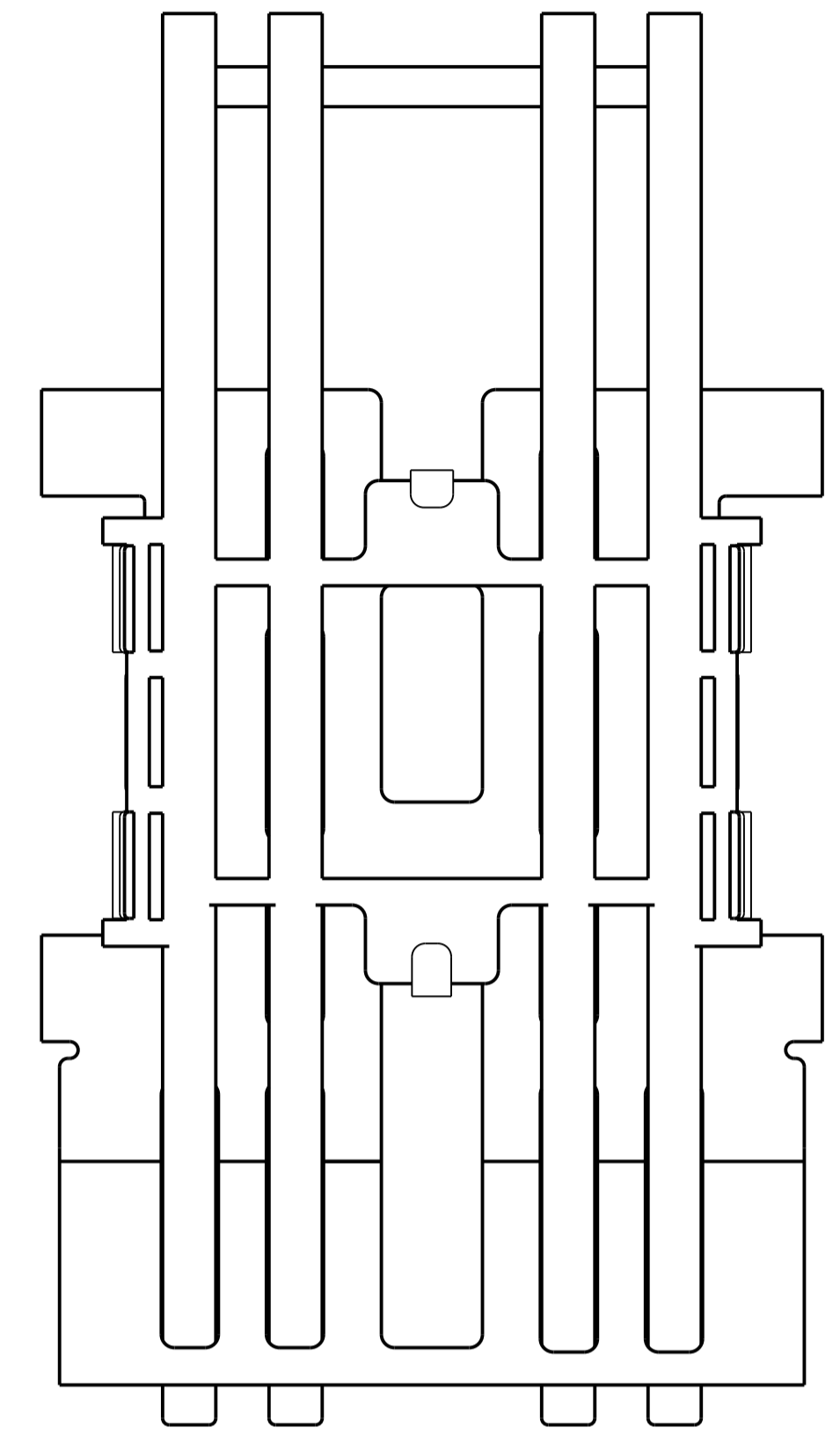
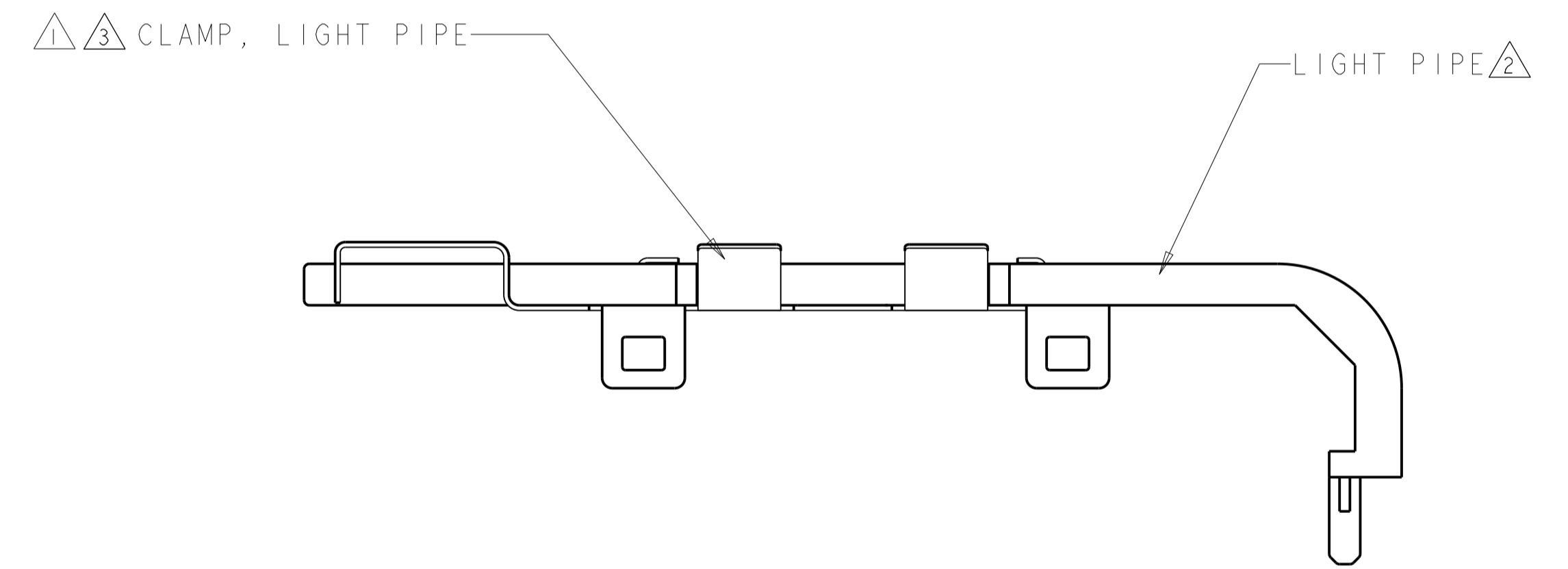
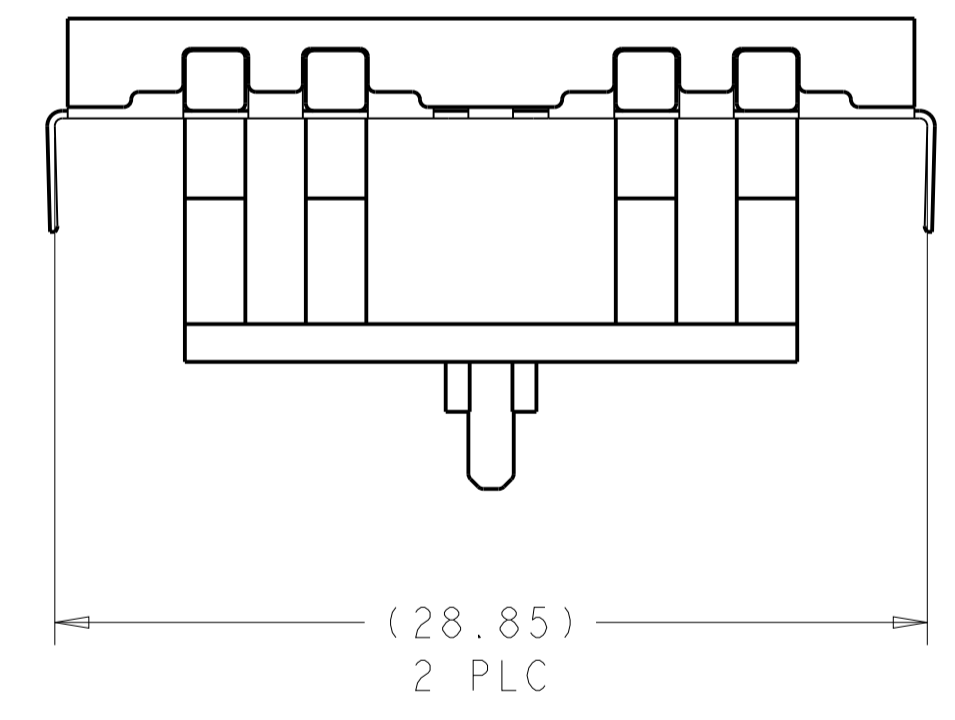


LOC	DIST	REVISIONS			
GP	00	REV	DATE	BY	CHK
		02	23MAR2004	WVS	MJP
		A	08JUL2004	MHC	JK
		A1	21MAY2007	ZMR	JRK
		A2	11JUL2014	JW	SH



- △ COPPER ALLOY, TIN PLATING PER ASTM B 545, 1.25µm MINIMUM OVER NICKEL FLASH PER QQ-N-290. NONPLATED EDGES PERMISSIBLE
- △ POLYCARBONATE, CLEAR.
- △ NICKEL SILVER ALLOY (NO PLATING)



△	LIGHT PIPE KIT	1761011-3
△	LIGHT PIPE KIT	1761011-1
CLAMP MATERIAL	DESCRIPTION	ITEM NO

THIS DRAWING IS A CONTROLLED DOCUMENT.

DIMENSIONS:	TOLERANCES UNLESS OTHERWISE SPECIFIED:	OWN: W. VAN SCOY, 20FEB2004	CHK: M. PHILLIPS, 20FEB2004	APVD: M. PHI, 20FEB2004	NAME: ASSEMBLY, LIGHT PIPE KIT, 1X2, SFP
mm	0 PLC ±	PRODUCT SPEC	SIZE: CAGE CODE: DRAWING NO: 114-13120		RESTRICTED TO
	1 PLC ±0.1	APPLICATION SPEC	WEIGHT: -		
	2 PLC ±	FINISH: ±2µ"	SCALE: 4:1		SHEET 1 OF 1
	3 PLC ±		REV: A1		
	4 PLC ±		CUSTOMER DRAWING		

TE Connectivity