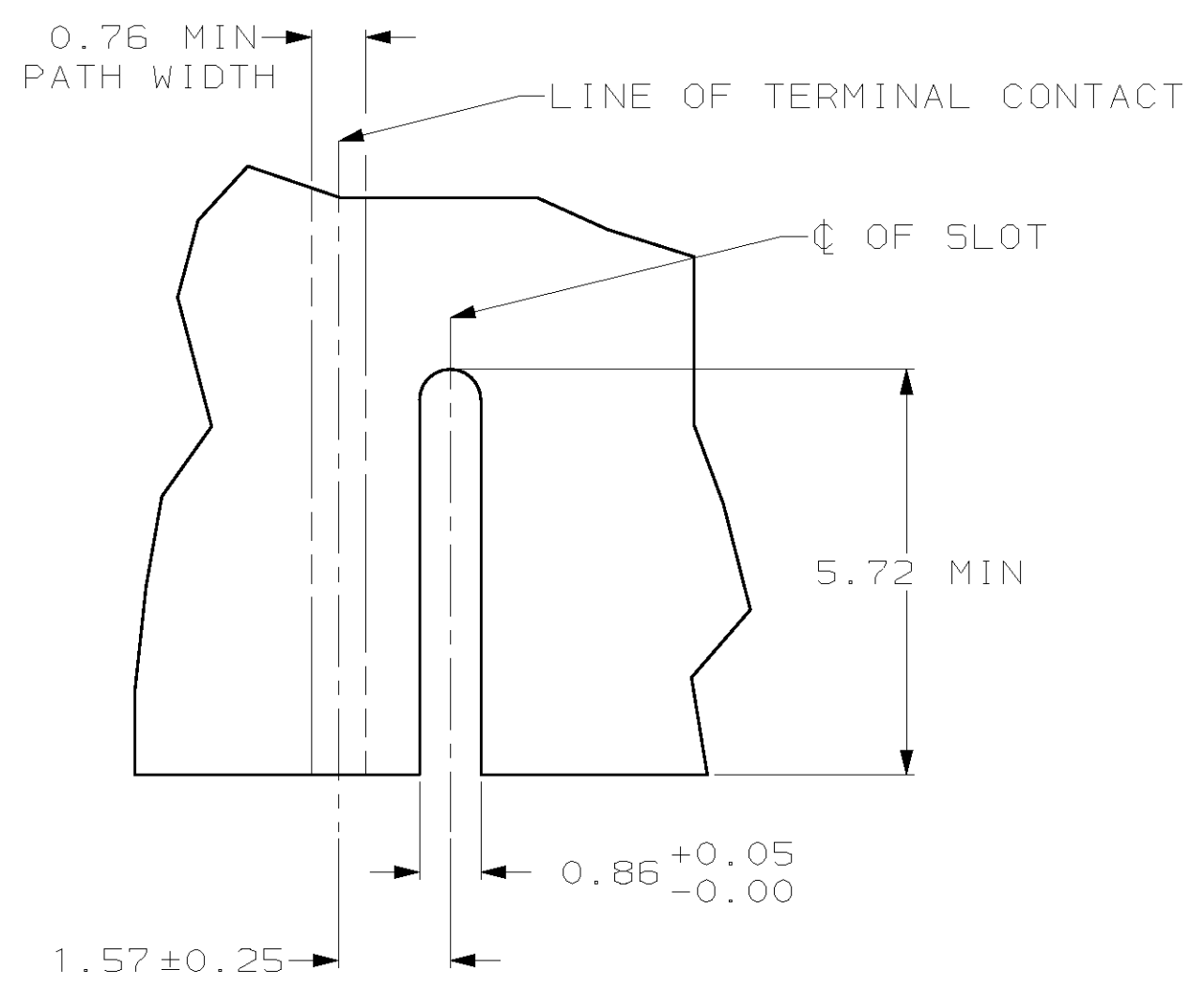
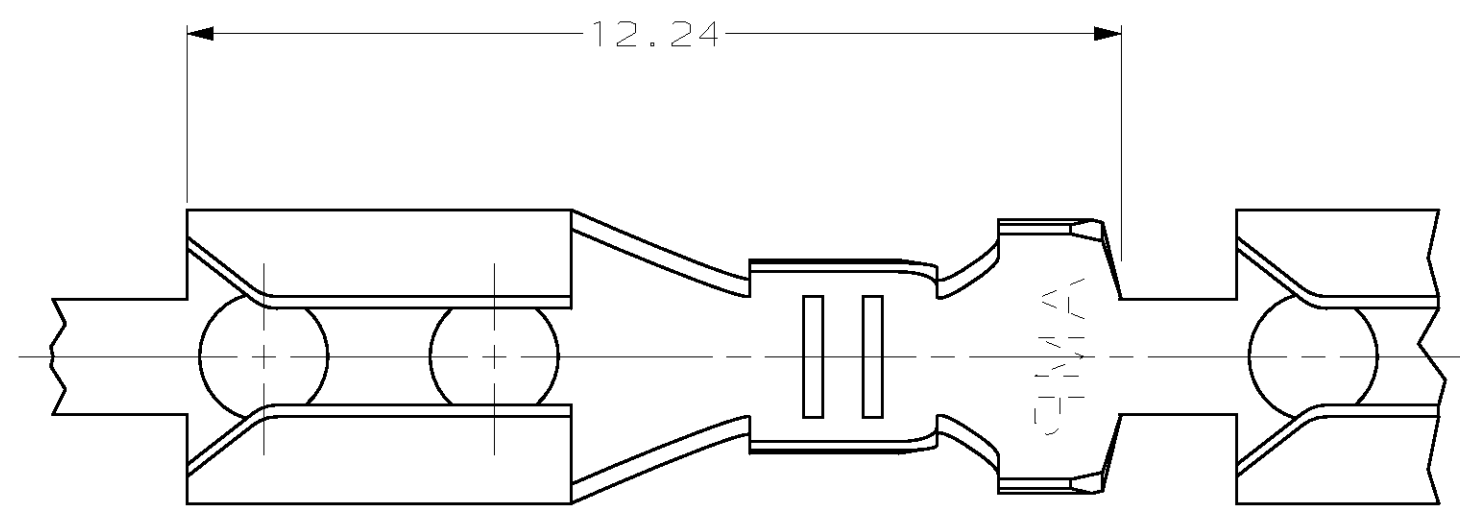


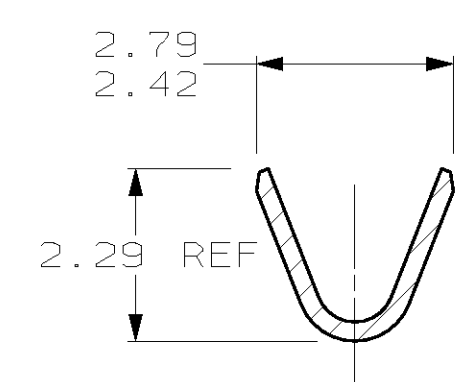
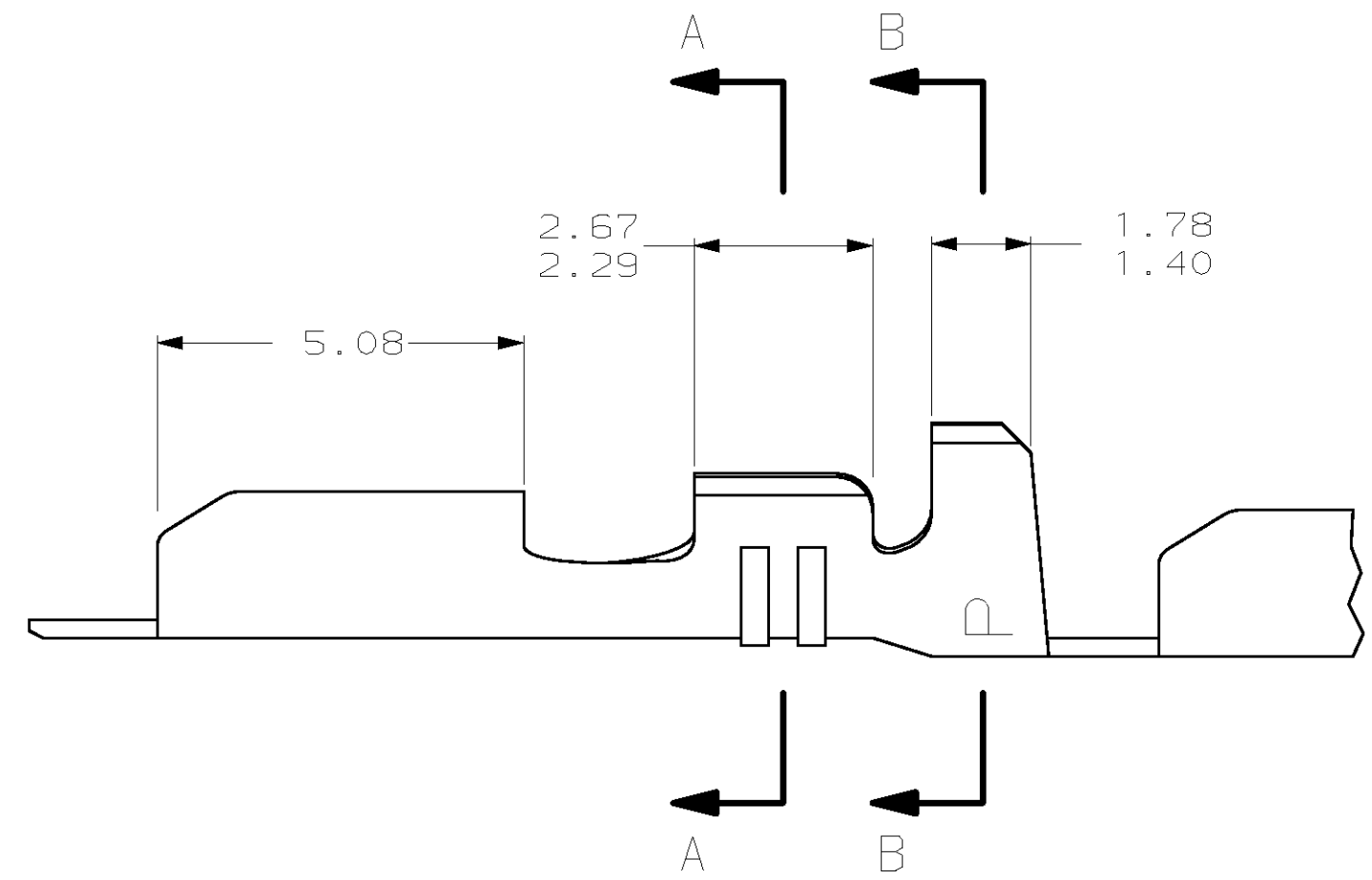
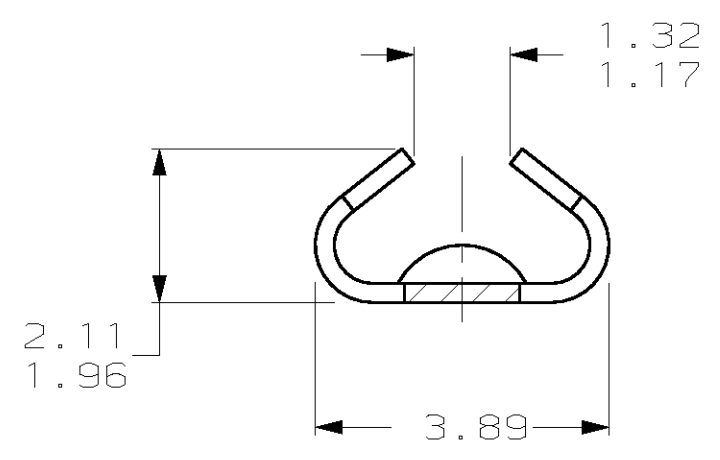
THIS DRAWING IS UNPUBLISHED. RELEASED FOR PUBLICATION  
 (C) COPYRIGHT 19 BY AMP INCORPORATED. ALL RIGHTS RESERVED.

LOC	DIST	REVISIONS			
P	LTR	DESCRIPTION	DATE	DWN	APVD
CM	52	E	REV & REDWN PER EC 0L30-0096-97	3-14-97	TB RS

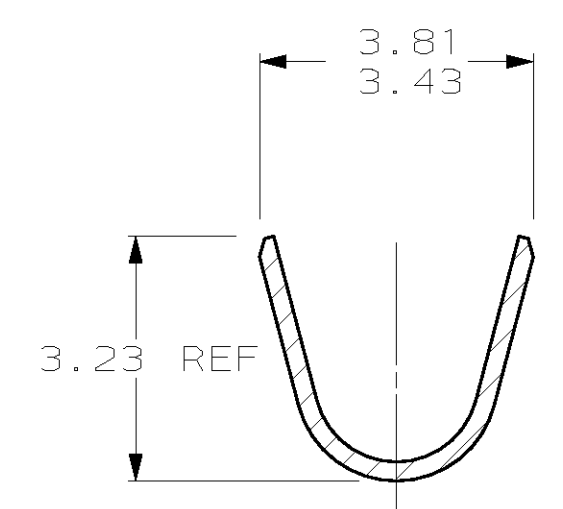
1. WIRE RANGE: 0.3 - 0.9 MM<sup>2</sup> (22 - 18 AWG)
2. INSULATION RANGE: 2.03 - 2.54



RECOMMENDED CUT OUT FOR 1.57 THICK P.C. BOARD



SECTION A-A



SECTION B-B

61561-2  
PART NUMBER

1.17	.046	2.11	.083	3.43	.135	-	-
0.86	.034	2.03	.080	3.23	.127	-	-
0.76	.030	1.96	.077	2.79	.110	12.24	.482
0.25	.010	1.78	.070	2.67	.105	5.72	.225
0.13	.005	1.57	.062	2.54	.100	5.08	.200
0.05	.002	1.40	.055	2.42	.095	3.89	.153
0.00	.000	1.32	.052	2.29	.090	3.81	.150
MM	IN	MM	IN	MM	IN	MM	IN

CONVERSION TABLE

**METRIC**

THIS DRAWING IS A CONTROLLED DOCUMENT.		DWN	T. BECK	3-14-97
DIMENSIONS: mm		CHK	R. SWING	3-14-97
TOLERANCES UNLESS OTHERWISE SPECIFIED:		APVD	A. BEDDICK	3-18-97
0 PLC	±	NAME		
1 PLC	±	TERMINAL, 22-18 AWG, .080-.100		
2 PLC	±0.13	INSULATION, AMP-EDGE™		
3 PLC	±	SIZE		
4 PLC	±	CAGE CODE		
ANGLES	±	DRAWING NO		
MATERIAL	0.25 PH BRZ	A2 00779		
FINISH	MATTE TIN	61561		
CUSTOMER DRAWING		RESTRICTED TO		
SCALE		10:1		
SHEET		1 OF 1		
REV		F		