

5145299-2 ✓ ACTIVE



## Smart Card

TE Internal #: 5145299-2

Smart Card Connectors, Connector, 8 Position, .1 in [2.54 mm]

Centerline, Board Mount, -40 – 194 °F [-40 – 90 °C]

[View on TE.com >](#)

Connectors > PCB Connectors > Memory Card Connectors > Smart Card Connectors



Smart Card Connector Product Type: **Connector**

Number of Positions: **8**

Pre-Installed Wire & Cable: **Without**

Centerline (Pitch): **2.54 mm [.1 in ]**

Connector & Contact Terminates To: **Printed Circuit Board**

## Features

### Product Type Features

Compatible Card	SIM/SAM
Smart Card Connector Product Type	Connector
Connector & Contact Terminates To	Printed Circuit Board

### Configuration Features

Cover	With
Card Detection Switch	With
Operating Function	NO
Number of Signal Positions	6
Number of Positions	8
Pre-Installed Wire & Cable	Without

### Body Features

Primary Product Color	Black
-----------------------	-------

### Contact Features

Contact Mating Area Plating Material	Gold
--------------------------------------	------



Contact Underplating Material	Nickel
PCB Contact Termination Area Plating Material	Tin
Contact Base Material	Phosphor Bronze
Contact Current Rating (Max)	.2 A

#### Termination Features

Termination Method to Printed Circuit Board	Surface Mount
---	---------------

#### Mechanical Attachment

Mating Alignment	With
Connector Mounting Type	Board Mount

#### Housing Features

Housing Material	High Temperature Thermoplastic
Centerline (Pitch)	2.54 mm[.1 in]

#### Dimensions

Accepts Card Thickness	.76 mm[.03 in]
Profile Height from PCB	1.55 mm, 4.05 mm[.059 in][.159 in]

#### Usage Conditions

Operating Temperature Range	-40 – 90 °C[-40 – 194 °F]
-----------------------------	---------------------------

#### Operation/Application

Durability Rating	10000 Cycles
Circuit Application	Signal

#### Packaging Features

Packaging Quantity	500
Packaging Method	Carton

#### Other

Memory Card Connector Comment	Has Stainless Steel Locking Disk
-------------------------------	----------------------------------

#### Product Compliance

[For compliance documentation, visit the product page on TE.com>](#)

EU RoHS Directive 2011/65/EU	Compliant
EU ELV Directive 2000/53/EC	Compliant
China RoHS 2 Directive MIIT Order No 32, 2016	No Restricted Materials Above Threshold
EU REACH Regulation (EC) No. 1907/2006	



Current ECHA Candidate List: JUNE 2023 (235)  
 Candidate List Declared Against: JUNE 2023 (235)  
 Does not contain REACH SVHC

Halogen Content  
 Low Halogen - Br, Cl, F, I < 900 ppm per homogenous material. Also BFR/CFR/PVC Free

Solder Process Capability  
 Reflow solder capable to 260°C

Product Compliance Disclaimer

This information is provided based on reasonable inquiry of our suppliers and represents our current actual knowledge based on the information they provided. This information is subject to change. The part numbers that TE has identified as EU RoHS compliant have a maximum concentration of 0.1% by weight in homogenous materials for lead, hexavalent chromium, mercury, PBB, PBDE, DBP, BBP, DEHP, DIBP, and 0.01% for cadmium, or qualify for an exemption to these limits as defined in the Annexes of Directive 2011/65/EU (RoHS2). Finished electrical and electronic equipment products will be CE marked as required by Directive 2011/65/EU. Components may not be CE marked. Additionally, the part numbers that TE has identified as EU ELV compliant have a maximum concentration of 0.1% by weight in homogenous materials for lead, hexavalent chromium, and mercury, and 0.01% for cadmium, or qualify for an exemption to these limits as defined in the Annexes of Directive 2000/53/EC (ELV). Regarding the REACH Regulation, the information TE provides on SVHC in articles for this part number is based on the latest European Chemicals Agency (ECHA) 'Guidance on requirements for substances in articles' posted at this URL: <https://echa.europa.eu/guidance-documents/guidance-on-reach>

### Compatible Parts



TE Part # 5145300-3  
SMT CARD RCPT, 8 POS, W/ COVER



TE Part # 5145300-1  
SMT CARD RCPT, 8 POS, W/O COVER



TE Part # 5145300-2  
SMT CARD RCPT, 8 POS, W/ COVER

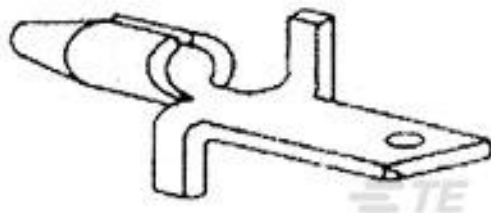
### Customers Also Bought



TE Part #179839-1  
AMP POWER D/LOCK T/HDR ASSY 3P



TE Part #641971-1  
09P UMNL PIN HDR ASSY V2 NATL



TE Part #61968-1  
110 FASTON TAB TPBR



TE Part #2-1825910-2  
FSM12JH=6MM TACT SWITCH, HIGH TEMP



## Documents

### Product Drawings

[SIM/SAM RECPT,6 POS,SMT](#)

English

### CAD Files

Customer View Model

[ENG\\_CVM\\_CVM\\_5145299-2\\_O.2d\\_dxf.zip](#)

English

[3D PDF](#)

3D

Customer View Model

[ENG\\_CVM\\_CVM\\_5145299-2\\_O.3d\\_igs.zip](#)

English

Customer View Model

[ENG\\_CVM\\_CVM\\_5145299-2\\_O.3d\\_stp.zip](#)

English

By downloading the CAD file I accept and agree to the [Terms and Conditions](#) of use.

### Product Specifications

[Application Specification](#)

English

[Application Specification](#)

English

### Product Environmental Compliance

[Product Compliance](#)

English

[Product Compliance](#)

English