

# 651/652-Series

Small-Sized Rocker Switches

[PRODUCT WEBPAGE](#)

*request sample, configure part*



This switch is ideal for applications with back panel size constraints. It fits in a standard rectangular cutout and is designed to provide ease of insertion along with superior panel retention qualities. A high profile rocker and butt-action contacts provide the user with a crisp positive-type feel. A variety of ratings, circuitry and termination choices will appeal to many market segments.

**1** Pole    **6-12** Amps    **125-250** VAC    **6-24** VDC

## Typical Applications

- Handheld Appliances
- Audio-Visual
- Power Supplies
- Medical Equipment

# Tech Specs

## Dielectric Strength

UL/CSA: 1000V-live to dead metal parts

## Electrical Life

100,000 cycles- maintained  
50,000 cycles- momentary  
50,000 cycles- T-rating

## Operating Temperature

32°F to 185°F (0°C to 85°C)

# Ordering Scheme

Sample Part Number **651 122 - B B - A N**

Selection 1 2 3 4 5 6

### 1. SERIES

**651** Matte Finish      **652** Gloss Finish

### 2. CIRCUITRY / RATING / TERMINATION

	.187 Solder Lugs	.187 Tabs	PC Terms	PC Rt.	Wire Angle
10A 250VAC, 10A 125VAC, 1/4 HP, 125-250 VAC					
Leads					
ON-NONE-OFF	<b>121</b>	<b>122</b>	<b>123</b>	<b>124</b>	<b>125</b>
(ON)-NONE-OFF	<b>261</b> <sup>1</sup>	<b>262</b>	<b>263</b>	<b>264</b>	<b>265</b>
ON-NONE-(OFF)	<b>361</b> <sup>1</sup>	<b>362</b>	<b>363</b>	<b>364</b>	<b>365</b>
ON-NONE-ON	<b>421</b>	<b>422</b>	<b>423</b>	<b>424</b>	<b>425</b>
ON-NONE-(ON)	<b>561</b> <sup>1</sup>	<b>562</b>	<b>563</b>	<b>564</b>	<b>565</b>
ON-OFF-ON	<b>681</b> <sup>2</sup>	<b>682</b>	<b>683</b>	<b>684</b>	<b>686</b>
ON-OFF-(ON)	<b>781</b> <sup>2</sup>	<b>782</b>	<b>783</b>	<b>784</b>	<b>785</b>
(ON)-OFF-(ON)	<b>881</b> <sup>2</sup>	<b>882</b>	<b>883</b>	<b>884</b>	<b>885</b>

### 3. ACTUATOR COLOR

**B** Black      **W** White

### 4. BASE COLOR

**B** Black      **W** White

### 5. ROCKER LEGEND

	molded in <sup>4</sup>	hot stamp
NO LEGEND	<b>0</b>	<b>0</b>
Off-On vertical	<b>1</b>	<b>A</b>
Off-On horizontal	<b>-</b>	<b>B</b>
I-O horizontal	<b>8</b>	<b>D</b>
I-O vertical	<b>9</b>	<b>E</b>
O on rocker end	<b>-</b>	<b>F</b>
II-O-I vertical	<b>-</b>	<b>G</b>
II-O-I horizontal	<b>-</b>	<b>H</b>

### 6. VISI-ROCKER END / LEGEND COLOR

**N** N/A  
**B** Black  
**V** Visi-red  
**W** White

#### Notes:

Additional ratings (including 14V T) & color options are available; Consult factory.

<sup>1</sup> Rated 12A 125VAC, 6A 250 VAC, 1/4HP 125-250VAC.

<sup>2</sup> Rated 8A 125-250VAC, 1/4HP 125-250VAC.

<sup>3</sup> Additional colors available. Consult factory for details.

<sup>4</sup> Available with Visi-Rocker option only.

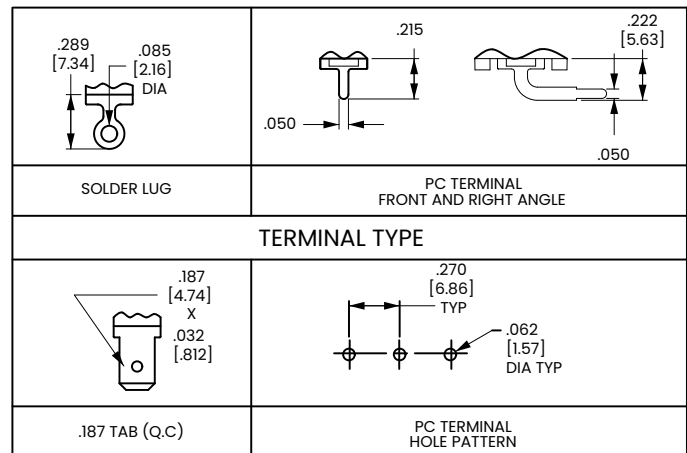
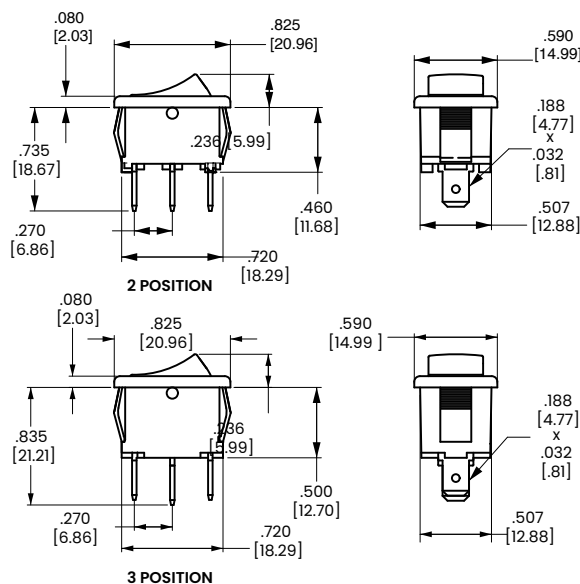
( ) Indicates momentary function.

[Configure Complete Part Number >](#)

[Browse Standard Parts >](#)

# Dimensional Specs

inches [millimeters]



RECOMMENDED PANEL OPENING	PANEL THICKNESS	A	B	TEST CUT HOLE IN ACTUAL MATERIAL
A	.030 [7.6] - .050 [1.27]	.508 [12.90]	.756 [19.20]	$\begin{matrix} +.004[.10] \\ -.004[.10] \end{matrix}$
	.050 [1.27] - .078 [1.98]	.508 [12.90]	.764 [19.40]	
	.078 [1.98] - .125 [3.17]	.508 [12.90]	.780 [19.81]	

## Authorized Sales Representatives and Distributors

Click on a region of the map below to find your local representatives and distributors or visit [www.carlingtech.com/findarep](http://www.carlingtech.com/findarep).



## About Carling

Founded in 1920, Carling Technologies is a leading manufacturer of electrical and electronic switches and assemblies, circuit breakers, electronic controls, power distribution units, and multiplexed power distribution systems. With six ISO9001 and IATF16949 registered manufacturing facilities and technical sales offices worldwide, Carling Technologies Sales, Service and Engineering teams do much more than manufacture electrical components, they engineer powerful solutions! To learn more about Carling please visit [www.carlingtech.com/company-profile](http://www.carlingtech.com/company-profile).

To view all of Carling's environmental, quality, health & safety certifications please visit [www.carlingtech.com/environmental-certifications](http://www.carlingtech.com/environmental-certifications).

© Carling Technologies, Inc.

3. Carling, Visi-Rocker are registered trademarks of Carling Technologies, Inc. in the U.S. and other countries.