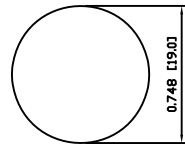
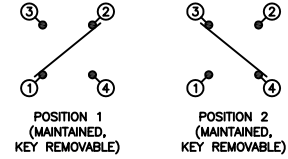


SUGGESTED PANEL CUTOUT



MAXIMUM PANEL THICKNESS: 0.472 [12.0mm]

SCHEMATIC



SPECIFICATIONS

FUNCTION:
1PNO OFF-ON + 1PNC ON-OFF

RATING:
2A 24VDC

CONTACT RESISTANCE:
Initial: 50mΩ Max. at 1A 12VDC

INSULATION RESISTANCE:
1,000MΩ Min. at 500VDC

DIELECTRIC STRENGTH:
1,000VAC Min. for 1 Minute

ELECTRICAL LIFE:
30,000 Cycles

MECHANICAL LIFE:
1,000,000 Cycles

TEMPERATURE:
Operating: -25°C to 55°C

APPROVALS:
RoHS
COMPLIANT

MATERIALS

BUSHING:
Stainless Steel (304)

BASE:
Polybutylene Terephthalate (PBT), UL94 V-2

RING:
Polycarbonate

CYLINDER:
Zinc

PIN:
Brass

PIN SPRING:
Copper Alloy

HARDWARE:
Nickel Plated Brass (H59)

INNER ASSEMBLY:
Polyamide 6/6 (PA66)
Polyoxymethylene (POM)
Brass (H59)
Copper Alloy

SPRING:
Steel (C18Ni9)

CONTACTS:
Silver

TERMINALS:
Silver Plated Brass (H59)

O-RING:
Nitrile Butadiene Rubber (NBR)

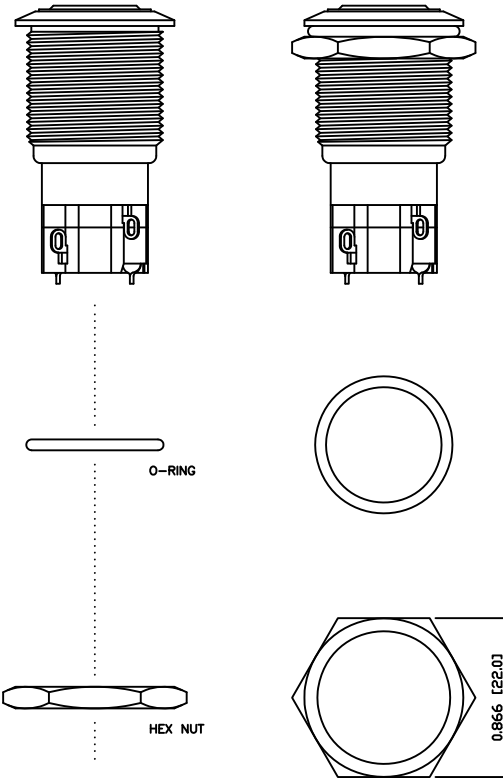
KEY:
Nickel Plated Brass

COLORS AND FINISH

BEZEL:
Stainless Steel
Polished Finish

CYLINDER:
Zinc
Polished Finish

RING:
Red



EXPLODED VIEW

ASSEMBLED VIEW

BODY	A	11/03/14	CAB
COLORS	A	11/03/14	CAB
MATERIALS	A	11/03/14	CAB
SPECIFICATIONS	A	11/03/14	CAB
REFERENCE	REV.	DATE	BY

THE INFORMATION CONTAINED IN THIS DOCUMENT IS PROPRIETARY TO E-SWITCH AND IS NOT TO BE COPIED OR TRANSFERRED

A	INITIAL RELEASE	19755	11/03/15	CAB
REV.	DESCRIPTION	PCR	DATE	DRAWN BY

DIMENSIONS	
INCHES [MILLIMETERS]	
GENERAL TOLERANCES	
±0.008 [±0.2] / ±1'	
SCALE	PROJECTION
DRAWING NOT TO SCALE	1st Angle

PV4K2T0S9			
ITEM NUMBER	DATE	REVISION	
52-PV4K2T0S9	MARCH 15, 2011	A	