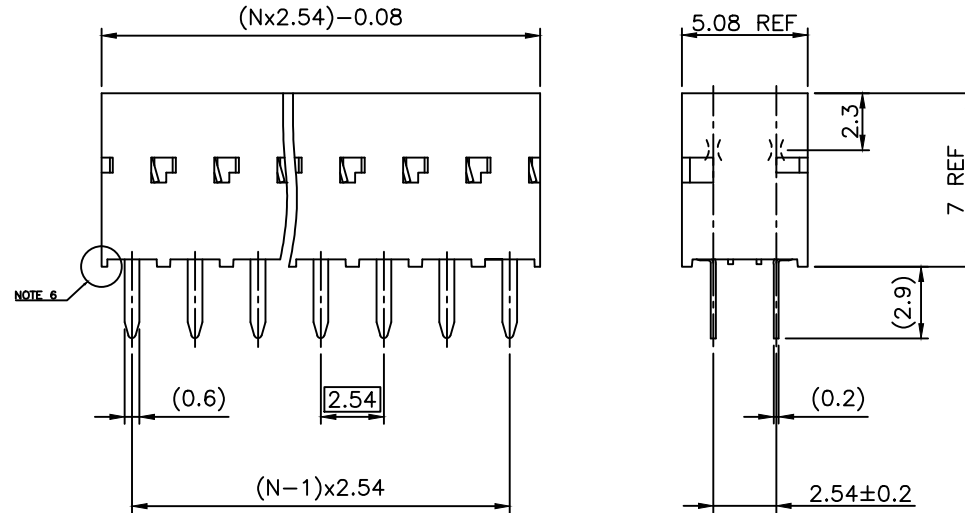
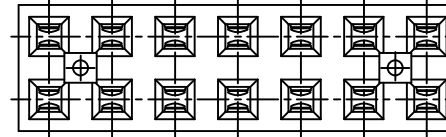


PRODUCT NUMBER
76342-YXXXLF

- RoHS COMPATIBLE, SEE NOTE 5
- OPTIONAL LETTER
- H: HIGH TEMPERATURE PRODUCT.
- C: PACKAGED IN SHORT TUBE.
- NUMBER OF POSITIONS PER ROW: 02 TO 50.
- PLATING CODE
- 3= 0.76µm GOLD ON CONTACT AREA.
2µm MIN MATTE TIN ON TAIL.
- 4= 2µm MIN MATTE TIN FULL PLATED
1.27µm Ni MIN UNDERPLATING



NOTES:

- 1 - HOUSING MAT'L: THERMOPLASTIC GLASS FILLED FLAME RETARDANT PER UL 94 V-0
LOW TEMPERATURE: COLOR BLUE
HIGH TEMPERATURE: COLOR GREY.
- 2 - TERMINAL MATERIAL: PHOSPHOR BRONZE.
- 3 - 2 UP TO 4 POSITIONS PRODUCT PACKED IN PLASTIC BOX.
5 UP TO 50 POSITIONS PRODUCT PACKED IN TUBE.
- 4 - TO DETERMINE DIMENSIONS:
N = NUMBER OF POSITIONS PER ROW
EXAMPLE: 8 POS: (N x 2.54) - 0.08 = 20.24 mm
- 5 - RoHS COMPATIBLE PRODUCT SPECIFICATIONS
 - a - PLATING:
- "LF" MEANS THE PRODUCT IS LEAD-FREE,
2µm MINIMUM MATTE TIN OVER 1.27µm
MINIMUM NICKEL UNDERPLATE.
 - b - MANUFACTURING PROCESS COMPATIBILITY
- THE HOUSING WILL WITHSTAND EXPOSURE TO
260°C ±5°C SOLDER BATH TEMPERATURE FOR
5 SECONDS IN A WAVE SOLDER APPLICATION
WITH A 1.6mm MIN THICK CIRCUIT BOARD.
 - c - LABELING:
- MEETS PACKAGING SPECS AS PER GS-14-920
 - d - LEGAL STATEMENT: SEE GS-47-0004
- 6 - END STAND-OFFS FOR 2x2 UP TO 2x4 POS
NO END STAND-OFFS FOR 2x5 UP TO 2x50 POS

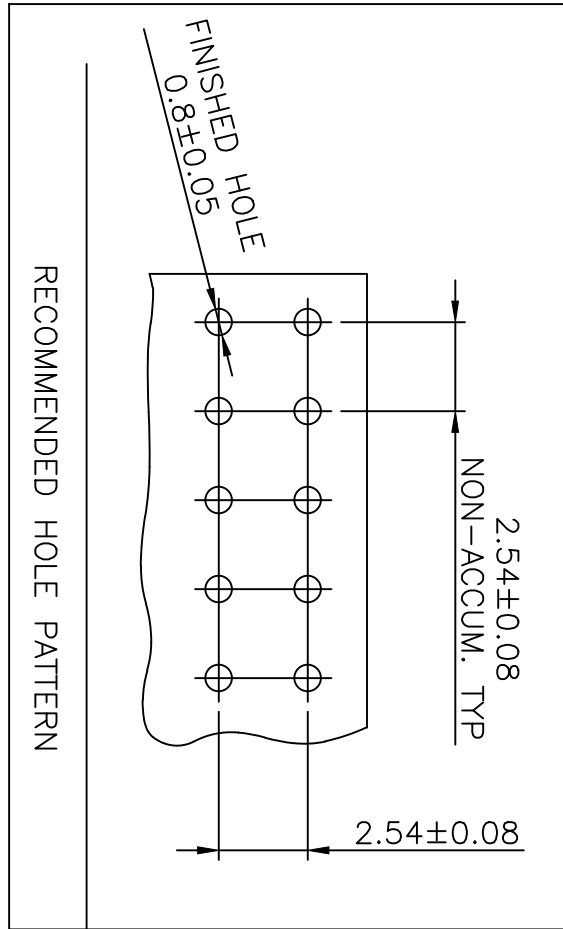


Copyright FCI

mat'l. code SEE NOTES 1 & 2		surface ISO 1302 ✓		tolerance ISO 406 ISO 1101		projection mm		product family DUBOX	
lfr ecn no dr date		tolerances unless otherwise specified		angles linear		scale 5:1		title BtB RECEPT. VERT DR TMT	
AA F-24429 AMA 16.07.01		±0.3		±2°				dwg no 76342	
U F06-0137 DLE 06.02.27								sheet 1 of 2 size A3	
V F06-0204 DLE 06.06.20		dr D LEGRAND 04.09.27		chr P NIZZI 04.09.27		FCI		type CUSTOMER Drawing	
W F11-0043 JCO 12.02.22		engr D LEGRAND 04.09.27		chr D LEGRAND 04.09.27					
X B-19123 LMU 14.10.21		appd P NZ 04.09.27							
Y B-21211 AMA 15.06.22									
sheet index	revision sheet	AA 1	C 2						



2



mat'l. code		surface		tolerance		projection		product family	
SEE SHEET 1		ISO 1302 <input checked="" type="checkbox"/>		ISO 406 ISO 1101		 mm		DUBOX	
Ltr		ISO 1302		tolerances unless otherwise specified		title			
ecn no		dr		angles		linear		BTB RECEIPT. VERT DR TMT	
A F04-0347		DLE		04.09.27		±0.3		dwg no 76342	
B F06-0204		DLE		06.06.20				sheet 2 of 2 A4	
C B-21211		AMA		15.06.22		scale 5:1		type CUSTOMER Drawing	
		dr		D LEGRAND		04.09.27			
		engr		P NIZZI		04.09.27			
		chr		D LE		04.09.27			
		appt		P NZ		04.09.27			
sheet index		revision							
D									

form: A4

1

2