

ITEM	Q'TY	PART NUMBER	PART DESCRIPTION
1	1	FLPR-XX	Flexible Light Pipe Adapter, 90°, w/LED, See page 2 & 3.
2	1	LC-XX.X	Flexible Light-Pipe Lens Cap Assembly

NOTE: FLPR ADAPTER SHIPPED NON-ASSEMBLED

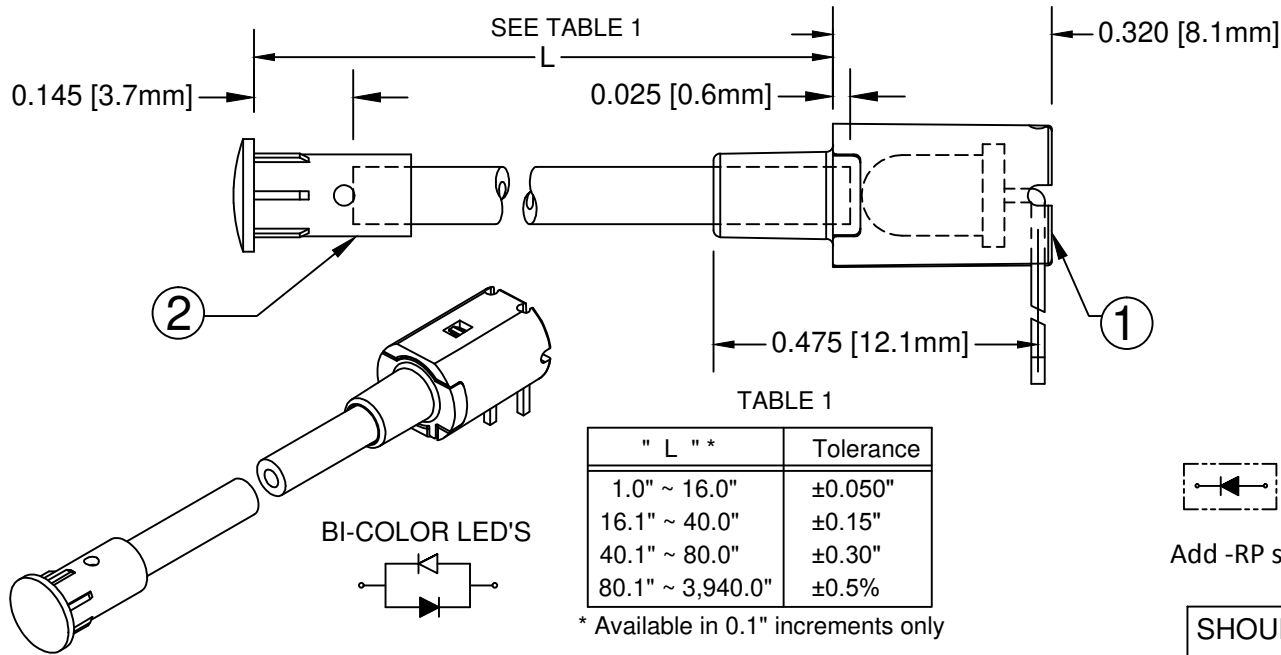
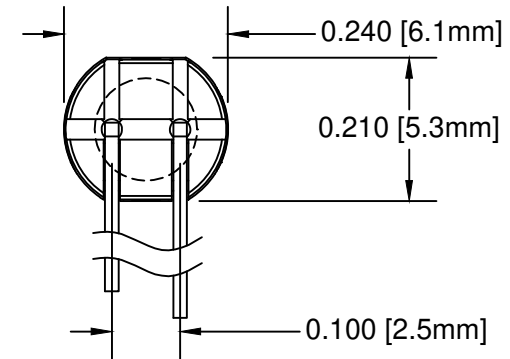


TABLE 1

" L " * *	Tolerance
1.0" ~ 16.0"	±0.050"
16.1" ~ 40.0"	±0.15"
40.1" ~ 80.0"	±0.30"
80.1" ~ 3,940.0"	±0.5%

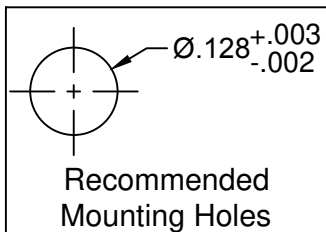
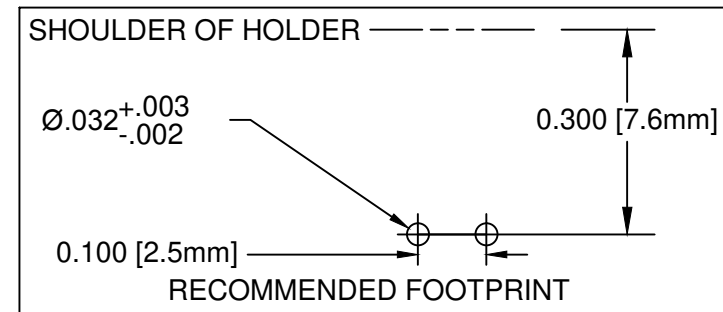
* Available in 0.1" increments only

REV.	DESCRIPTION	DATE	APPROVED
D	Added Shipping Note and Tolerance Table	04/17/06	M. C.
E	Changed Length From 2.5 to 0.5 at "L" Table	02/12/07	M. C.
F	Updated FLPC Hidden View and BOM	08/27/08	M. C.
G	LED Data Update	11/18/11	T. Y.
H	RP note added	02/09/12	T. Y.
J	Added the 3HC-F LED to page 2	02/09/12	T. Y.
K	Updated Table For Length "L"	11/15/12	T. Y.
L	Updated LED Tables	08/15/18	M. C.
M	Updated LED Tables	11/13/18	M. C.



SINGLE COLOR LED
SHORT LEAD CATHODE

Add -RP suffix for Reverse Polarity



SHORT LEAD CATHODE	LED PART NO.	LONG LEAD CATHODE
RED	3xBCC-F	GREEN
YELLOW	3BC-Y/G-F	GREEN

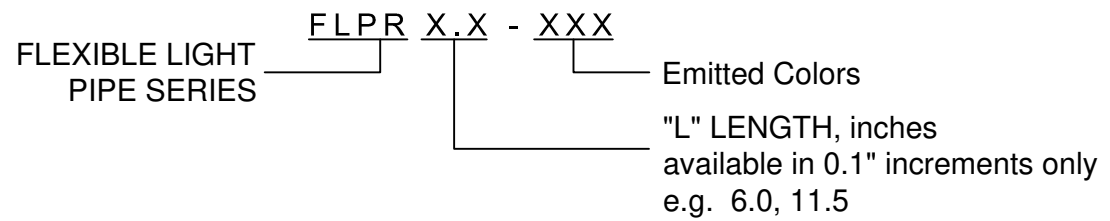
ABSOLUTE MAXIMUM RATINGS (Ta=25°C)

REVERSE VOLTAGE _____ 5V
 REVERSE CURRENT _____ 100µA
 OPERATING TEMPERATURE RANGE _____ -25° C - 85° C
 STORAGE TEMPERATURE _____ -30° C - 100° C
 LEAD SOLDERING TEMPERATURE(1/16" FROM BODY) _____ 260° C FOR 5 SECONDS

STANDARD TOLERANCE (UNLESS OTHERWISE SPECIFIED)		BIVAR®	
DECIMALS	ANGULAR	4 THOMAS, IRVINE, CA. 92618	
.X ± .1	X° ± 1°	TEL: (949) 951-8808 FAX: (949) 951-3974	
.XX ± .02		TITLE: FLEXIBLE LIGHT-PIPE ASSY RIGHT ANGLE, 3mm LENS CAP W/LED	
.XXX ± .010		PART NO: FLPRX.X-XX	REVISION: M
DESIGNED: S. IRVING	DATE: 02/09/99	CAGE CODE: 32559	
REVISED: K. BARON	DATE: 11/13/18	SCALE: NONE	SHEET # 1 OF 3
CHECKED: TD. NGUYEN	DATE: 11/13/18	CAD GENERATED DOCUMENT, DO NOT MEASURE DRAWING	

FLEXIBLE LP ASSY Part No.	ADAPTER Part No.	LED Part No.	Peak Wave Length	Emitted Color	Electro-Optical Data @ 20mA		
			λ_p (nm)		Vf (V)		Iv (mcd)
					TYP	MAX	TYP
FLPRX.X-SG	FLPR-SG	3SGC-F	568	SUPER GREEN	2.1	2.8	50
FLPRX.X-SY	FLPR-SY	3SYC-F	590	SUPER YELLOW	2.0	2.8	50
FLPRX.X-SR	FLPR-SR	3SRC-F	645	SUPER RED	1.7	2.4	60
FLPRX.X-UBW.6K	FLPR-UBW.6K	3UBWC-0.6K-F	470	BLUE	4.0	4.5	400
FLPRX.X-UT	FLPR-UT	3UTC-F	500	TURQUOISE	3.5	4.0	800
FLPRX.X-UG	FLPR-UG	3UGC-F	570	GREEN	2.1	2.4	200
FLPRX.X-SUG	FLPR-SUG	3SUGC-F	570	GREEN	2.1	2.4	300
FLPRX.X-UY	FLPR-UY	3UYC-F	590	YELLOW	2.0	2.4	300
FLPRX.X-UR	FLPR-UR	3URC-F	645	RED	1.7	2.4	200
FLPRX.X-SUR	FLPR-SUR	3SURC-F	640	RED	1.8	2.4	200
FLPRX.X-UW.6K	FLPR-UW.6K	3UWC1.035C-F	-	WHITE	3.2	3.6	6000

VISIT WWW.BIVAR.COM FOR CURRENT LED DATASHEETS
 LED DETAILS ON DATASHEETS TAKE PRECEDENCE OVER DETAILS SHOWN HERE



BIVAR[®]

PART NO:	FLPRX.X-XX	REVISION:	M
SCALE:	NONE	SHEET #	2 OF 3
CAD GENERATED DOCUMENT, DO NOT MEASURE DRAWING			

FLEXIBLE LP ASSY Part No.	Adapter Part No.	LED Part No.	Peak Wave Length λ_p (nm)	Emitted Color	Electro-Optical Data @ 20mA		
					Vf (V)		Iv (mcd)
					TYP	MAX	TYP
FLPRX.X-BC	FLPR-BC	3BCC-F	625	HE RED	2.0	2.8	8
			568	GREEN	2.1	2.8	8
FLPRX.X-SBC	FLPR-SBC	3SBCC-F	645	SUPER RED	1.7	2.4	100
			568	HE GREEN	2.1	2.8	60

VISIT WWW.BIVAR.COM FOR CURRENT LED DATASHEETS
LED DETAILS ON DATASHEETS TAKE PRECEDENCE OVER DETAILS SHOWN HERE

