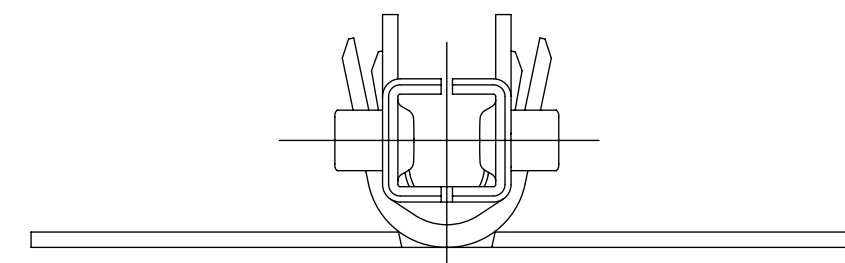


PART LEGEND

202988 - * * * *

- SERIES
- FORM
 - 1 = CHAIN
 - 2 = LOOSE
- WIRE GAGE (INS OD RANGE)
 - 1 = 16 (Ø1.98-2.55)
 - 2 = 16 (Ø2.55-3.14)
 - 3 = 18-20 (Ø1.42-2.10)
 - 4 = 18-20 (Ø2.10-2.85)
 - 5 = 22-24 (Ø1.07-1.65)
 - 6 = 22-24 (Ø1.65-2.38)
- PART NUMBER
 - 4 = FINISHED GOODS
- PLATING
 - 1 = GOLD (POST PLATE)
 - 2 = TIN OVER NICKEL (POST PLATE)



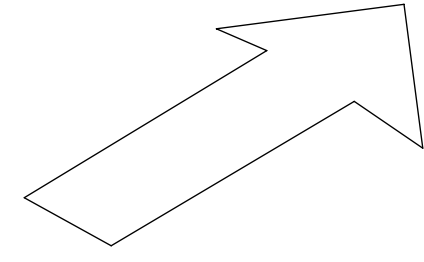
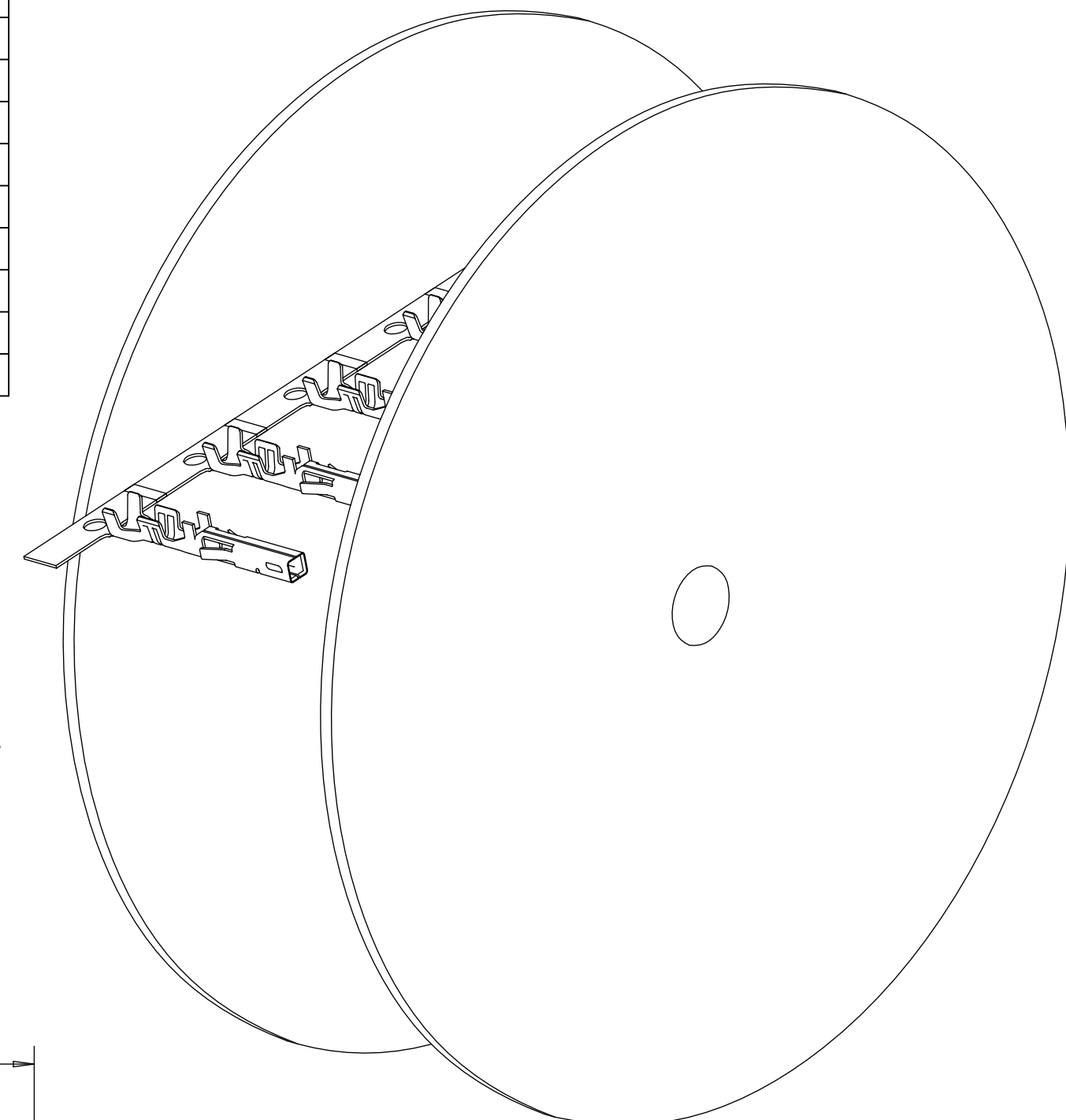
NOTES:

1. MATERIAL: HIGH CONDUCTIVITY COPPER ALLOY
2. POST PLATED:
 - A) 30 µin/(0.75µm) MIN. SELECT GOLD IN THE CONTACT AREA, 100µin/(2.5µm) MIN. SELECT MATTE TIN IN THE CRIMP AREA OVER 50 µin/1.25 MIN. NICKEL OVERALL.
 - B) 100 µin/(2.50µm) MIN. OVERALL BRIGHT TIN, 50 µin/1.25 MIN. NICKEL OVERALL.
3. PRODUCT SPECIFICATION: 2029880001-PS
APPLICATION SPECIFICATION: AS-172718-0000
4. THIS TERMINAL TO BE USED WITH HOUSING SERIES 172708, 200453.
5. THIS TERMINAL MATES WITH MALE CRIMP TERMINAL SERIES 203070.
6. THIS TERMINAL MATES WITH HEADER SERIES 5566 & 5569.
7. PACKAGING: REELS TO BE PACKED PER 2029880002-PK
LOOSE TERMINALS PER 2029880003-PK
8. PART CONFORMS TO CLASS 'B' REQUIREMENTS OF COSMETIC SPEC PS-45499-002.
9. WHEN TERMINALS ARE INSTALLED IN THE HOUSING THE WIRE ARE TO BE DRESSED IN SUCH A MANNER TO ALLOW THE TERMINALS TO FLOAT FREELY IN THE HOUSING POCKET.
10. THIS TERMINALS IS DESIGNED FOR SINGLE WIRE CRIMPING.

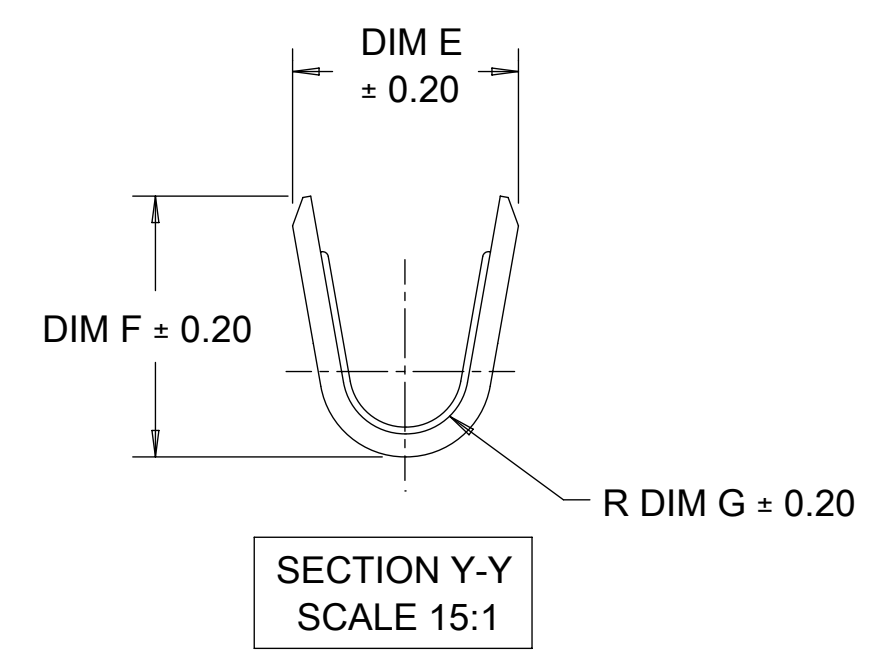
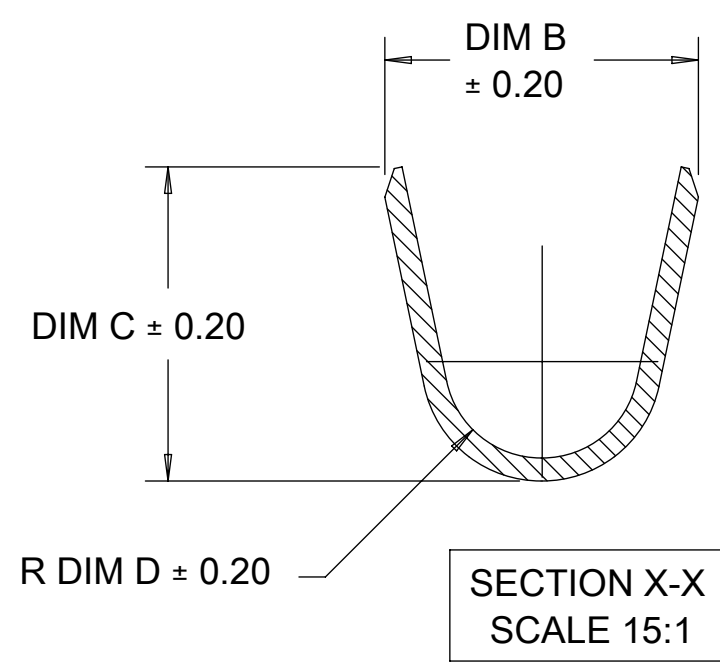
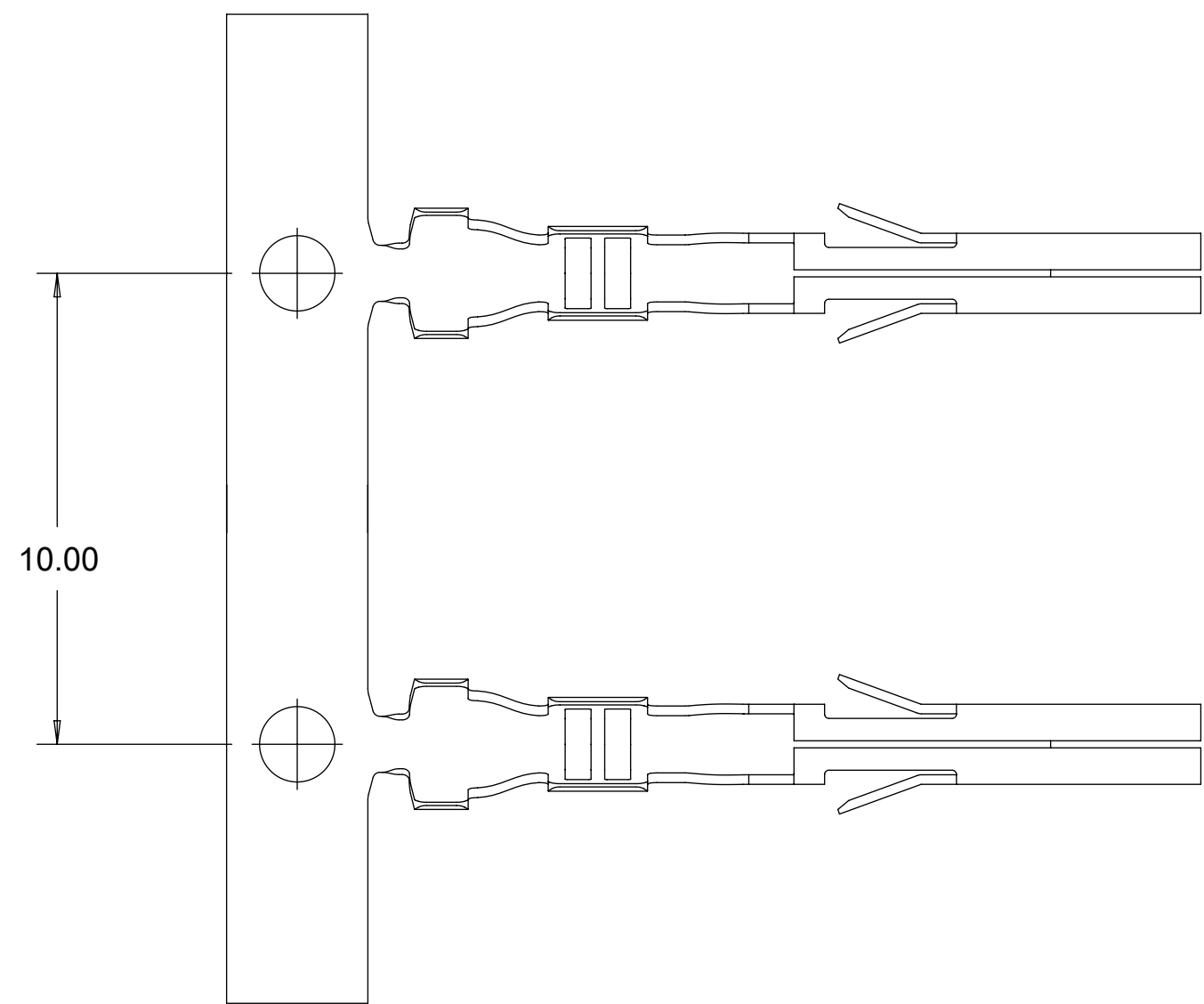
THIS DRAWING CONTAINS INFORMATION THAT IS PROPRIETARY TO MOLEX ELECTRONIC TECHNOLOGIES, LLC AND SHOULD NOT BE USED WITHOUT WRITTEN PERMISSION														
EC NO: 664404 DRWN: SHRUTJ CHKD: KCHIKKANNA REV: APPR: ISHWARG	2021/02/19 2021/05/19 2021/05/20	GENERAL TOLERANCES (UNLESS SPECIFIED)		DIMENSION UNITS	SCALE									
		ANGULAR TOL ± °		mm	10:1									
		4 PLACES ±	3 PLACES ±	MRAMAKRISHNA	DATE	FEMALE CRIMP TERMINAL MINI-FIT TPA 2.0								
		2 PLACES ± 0.2	1 PLACE ± 0.2	CHKD BY	DATE									
0 PLACES ±	DRAFT WHERE APPLICABLE MUST REMAIN WITHIN DIMENSIONS		APPR BY	DATE	PRODUCT CUSTOMER DRAWING									
A4	C	THIRD ANGLE PROJECTION	ISHWARG	2017/05/15	SERIES	MATERIAL NUMBER	CUSTOMER	GENERAL MARKET						
					DRAWING SIZE	202988		SEE TABLE	DOCUMENT NUMBER			DOC TYPE	DOC PART	SHEET NUMBER
					C			2029880001	PSD	000	1 OF 2			

FORM	FINISHED GOODS PART NUMBER FOR GOLD PLATING	FINISHED GOODS PART NUMBER FOR TIN PLATING	BASE MATERIAL	WIRE AWG	WIRE OD-RANGE	DIM B	DIM C	DIM D	DIM E	DIM F	DIM G	DIM H	STATUS	
CHAIN	202988-1141	202988-1241	HIGH CONDUCTIVITY COPPER ALLOY	16	1.98-2.55	3.27	3.43	1.00	2.35	2.90	0.70	2.11	RELEASED	
	202988-2141	202988-2241			2.55-3.14	3.74	3.66	1.43				1.91	RELEASED	
	202988-3141	202988-3241		18-20	1.42-2.10	2.77	2.77	0.85	2.00	2.30	0.55	2.11	RELEASED	
	202988-4141	202988-4241			2.10-2.85	3.36	3.37	1.25				2.11	RELEASED	
	202988-5141	202988-5241		22-24	1.07-1.65	2.33	2.27	0.70	1.68	1.65	0.40	2.11	RELEASED	
	202988-6141	202988-6241			1.65-2.38	3.14	3.09	1.00				2.11	RELEASED	
LOOSE	202988-1142	202988-1242		HIGH CONDUCTIVITY COPPER ALLOY	16	1.98-2.55	3.27	3.43	1.00	2.35	2.90	0.70	2.11	RELEASED
	202988-2142	202988-2242				2.55-3.14	3.74	3.66	1.43				1.91	RELEASED
	202988-3142	202988-3242			18-20	1.42-2.10	2.77	2.77	0.85	2.00	2.30	0.55	2.11	RELEASED
	202988-4142	202988-4242				2.10-2.85	3.36	3.37	1.25				2.11	RELEASED
	202988-5142	202988-5242			22-24	1.07-1.65	2.33	2.27	0.70	1.68	1.65	0.40	2.11	RELEASED
	202988-6142	202988-6242				1.65-2.38	3.14	3.09	1.00				2.11	RELEASED

FINISHED GOODS PART NUMBER FOR GOLD PLATING	FINISHED GOODS PART NUMBER FOR TIN PLATING	COMBINATIONS WIRE AWG
202988-4141	202988-4241	22+22 AWG



REELING DIRECTION



THIS DRAWING CONTAINS INFORMATION THAT IS PROPRIETARY TO MOLEX ELECTRONIC TECHNOLOGIES, LLC AND SHOULD NOT BE USED WITHOUT WRITTEN PERMISSION												
EC NO: 664404 DRWN: SHRUTJ CHKD: KCHIKKANNA REV / APPR: ISHWARG	GENERAL TOLERANCES (UNLESS SPECIFIED)		DIMENSION UNITS	SCALE								
	ANGULAR TOL ± °		mm	10:1								
	4 PLACES ±	3 PLACES ±	2 PLACES ± 0.2	1 PLACE ± 0.2								0 PLACES ±
	DRAWING SIZE		THIRD ANGLE PROJECTION	DRAWN BY		DATE	CHK'D BY		DATE	PRODUCT CUSTOMER DRAWING		
	C			MRAMAKRISHNA		2017/02/17	ISHWARG		2017/05/15	SERIES	MATERIAL NUMBER	CUSTOMER
	DRAFT WHERE APPLICABLE MUST REMAIN WITHIN DIMENSIONS		202988		SEE TABLE		GENERAL MARKET		DOCUMENT NUMBER	DOC TYPE	DOC PART	SHEET NUMBER
A4		2029880001		PSD		000		2 OF 2				