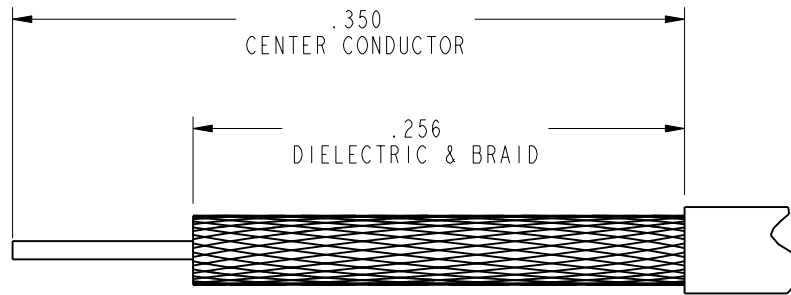


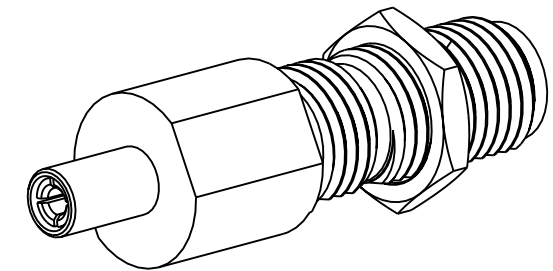
NOTES:

1. MATERIALS AND FINISHES:
 - BODY - BRASS, GOLD PLATING (.000010 MIN THICK)
 - CONTACT - BERYLLIUM COPPER, GOLD PLATING (.000030 MIN THICK)
 - INSULATOR - PTFE
2. ELECTRICAL:
 - A. IMPEDANCE: 50 OHM
 - B. FREQUENCY RANGE: DC - 3 GHz
 - C. VSWR(RETURN LOSS): 1.28 (18.22 dB) MAX.
3. MECHANICAL:
 - A. DURABILITY: 500 CYCLES MIN.
 - B. TEMPERATURE RANGE: -65° C TO +165° C
4. PACKAGING:
 - A. QUANTITY: SINGLE PACK
 - B. MARKING: BAG TO BE MARKED
"AMPHENOL, 901-10116, AND DATE CODE"
5. ASSEMBLY:
 - A. STRIP CABLE TO DIMENSIONS SHOWN
 - B. INSERT THROUGH INNER FERRULE, AND PEEL BRAID BACK, OVER INNER FERRULE
 - C. INSTALL BRASS SLEEVE, THEN INSULATOR BUSHING OVER CABLE DIELECTRIC, BOTTOMING ON INNER FERRULE
 - D. SOLDER CONTACT TO CABLE CENTER CONDUCTOR, BOTTOMING ON INSULATOR
 - E. INSERT CABLE INTO CONNECTOR UNTIL IT BOTTOMS
 - F. CRIMP BODY OVER INNER FERRULE USING .105 HEX

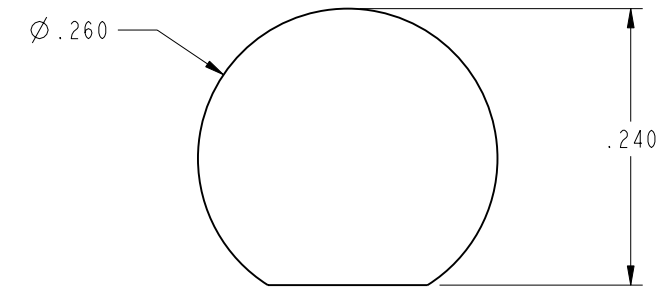
901-10116		REVISIONS			
DRAWING NO.	REV	DESCRIPTION	DATE	ECO	APPR
THIRD ANGLE PROJ.	A	RELEASE TO MFG	7/22/03	44560	CPM
	B	MOVED STAKE GROOVE INWARD TO .370	5/25/04	44987	HP



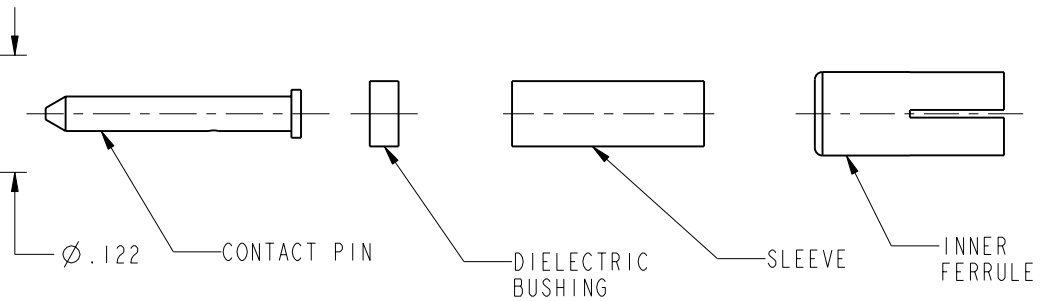
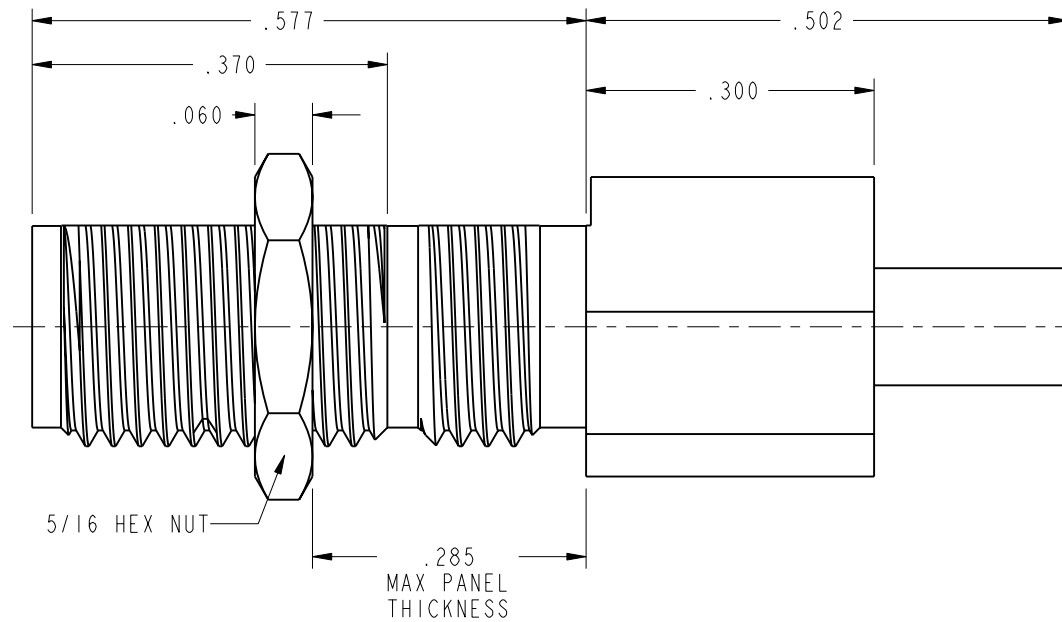
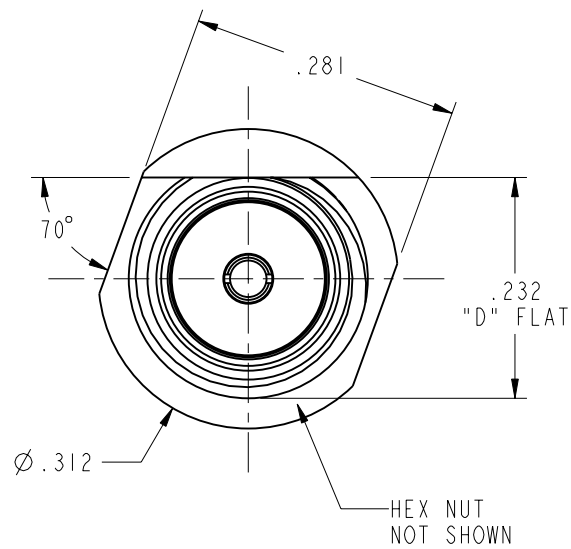
RECOMMENDED CABLE STRIPPING DIMENSIONS
SCALE 10.000



SCALE 3.000



RECOMMENDED MOUNTING HOLE DIMENSIONS
SCALE 6.000



CUSTOMER OUTLINE DRAWING
ALL OTHER SHEETS ARE FOR INTERNAL USE ONLY

UNLESS OTHERWISE SPECIFIED, DIMENSIONS ARE IN INCHES AND TOLERANCES ARE: 2 PLACE DECIMAL ±.015 (0,381 mm) 3 PLACE DECIMAL ±.005 (0,127 mm) ANGLES ± 1°	MATERIAL	DRAWN C. McGRATH	DATE 7/14/03	TITLE SMA BULKHEAD TO 1.13 MM CABLE		Amphenol RF Danbury, CT, USA Tainan, Taiwan Shenzhen, China www.amphenolrf.com		
	REFERENCE EAR# 971 GEN# ASSYF65_SMA 615X-1924-100	ENGINEER MIKE HOYACK	DATE 25-Apr-03					
NOTICE - These drawings, specifications, or other data (1) are, and remain the property of Amphenol Corp. (2) must be returned upon request; and (3) are confidential and not to be disclosed to any person other than those to whom they are given by Amphenol Corp. The furnishing of these drawings, specifications, or other data by Amphenol Corp., or to any other person to anyone for any purpose is not to be regarded by implication or otherwise in any manner licensing, granting rights or permitting such holder or any other person to manufacture, use or sell any product, process or design, patented or otherwise, that may in any way be related to or disclosed by said drawings, specifications, or other data.		APPROVED O. BARTHELME	DATE 7/22/03	CODE ID 74868	DWG SIZE B	DRAWING NO. 901-10116	SCALE: 5.0:1	SHEET 2 OF 2
			CAD FILE I:\SMA\901-10116					