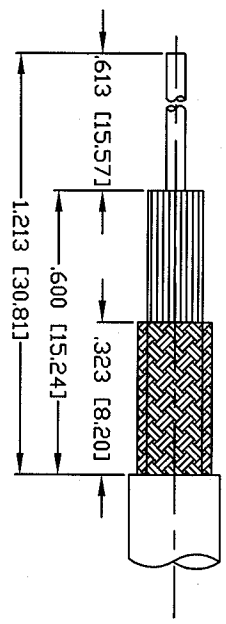
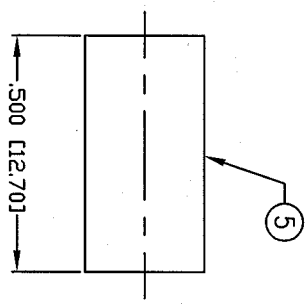
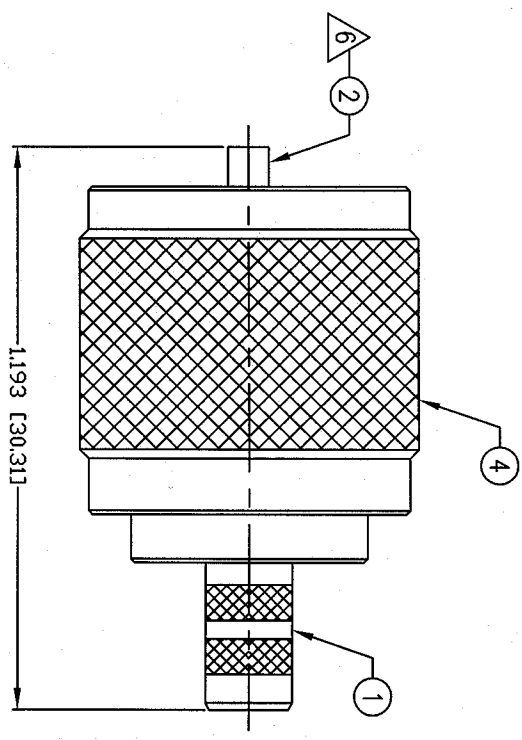


THIS DRAWING CONTAINS INFORMATION PROPRIETARY TO RF INDUSTRIES.  
 ANY UNAUTHORIZED USE OF THIS DRAWING IS EXPRESSLY PROHIBITED  
 WITHOUT WRITTEN PERMISSION FROM RF INDUSTRIES.  
 ANY VIOLATION IS PUNISHABLE UNDER U.S. COPYRIGHT LAWS.

ALL DIMENSIONS ARE REFERENCE ONLY



RECOMMENDED CRIMP DIE: 213

RECOMMENDED STRIPPING DIMENSIONS

**SPECIFICATIONS:**

IMPEDANCE: NON CONSTANT  
 FREQUENCY RANGE: 0-300 MHz  
 WORKING VOLTAGE: 500 V rms @ sea level  
 (C) FOR RG-58, 58A, 58C, 141, 141A, BELDEN 8240,  
 8262, 9201, 9203, 9310, 9311 & COMM/SCOPE 0268  
 (C2) FOR TIMES LMR-200, ALPHA 9848 & MSI-22

#	DESCRIPTION	QTY	MATRL	FINISH	APPROVALS	DATE
1	BODY	1	BRASS	SILVER, 80 μ"	000486	
2	CONTACT	1	BRASS	SILVER, 80 μ"		
3	DIELECTRIC	1	PTFE			
4	SHELL	1	BRASS	SILVER, 80 μ"		
5	FERRULE	1	BRASS	SILVER, 80 μ"		
6						
7						
8						
9						
10						
11						
12						
13						
14						

UNLESS OTHERWISE SPECIFIED:

1. REMOVE ALL BURRS
2. BREAK ALL CORNERS & EDGES .005 R. MAX.
3. CHAMFER 1ST & LAST THREADS 45°
4. SURFACE ROUGHNESS 63 FINISH MIL-STD-10
5. DIAMETERS ON COMMON CENTERS TO BE CONCENTRIC WITHIN .002 T.I.R.
6. ALL DIMENSIONS ARE AFTER PLATING.

DIMENSIONS ARE IN INCHES AND [MILLIMETERS]

UNLESS OTHERWISE NOTED TOLERANCES ARE:

DECIMALS .XXX±.001 [.03]  
 .XXX±.003 [.08]  
 .XXX±.005 [.13]  
 DIAMETER .XXX±.001 [.03]  
 .XXX±.003 [.08]

REV	DESCRIPTION	DWN	DATE	APPROVED
H	CHANGE CONTACT DIMENSIONS	KMM	2/19/96	R. RICE
J	STANDARDIZE CONTACT ITEM #2 CHANGE STRIPPING INST	CZS	3/2/99	R. RICE
K	CHANGE FERRULE CONFIGURATION	CZS	12/9/99	JDMc
L	CHG. OVER ALL, AND STRIPPING DIM'S / CHG. FORMAT	GGG	11/28/01	JDMc



**RF connectors**  
 DIVISION OF RF INDUSTRIES, LTD.

7610 MIRAMAR RD  
 SAN DIEGO, CA 92126  
 (858) 549-6340  
 (858) 549-6345 FAX

**UHF PLUG, CRIMP**

SIZE	CABLE GROUP	DWG NO.	REV
A	C, C2	RFU-505-ST	L
SCALE:	NTS	CAD FILE	OUTLINE
SHEET	1	OF	1