

THIS DRAWING IS UNPUBLISHED.

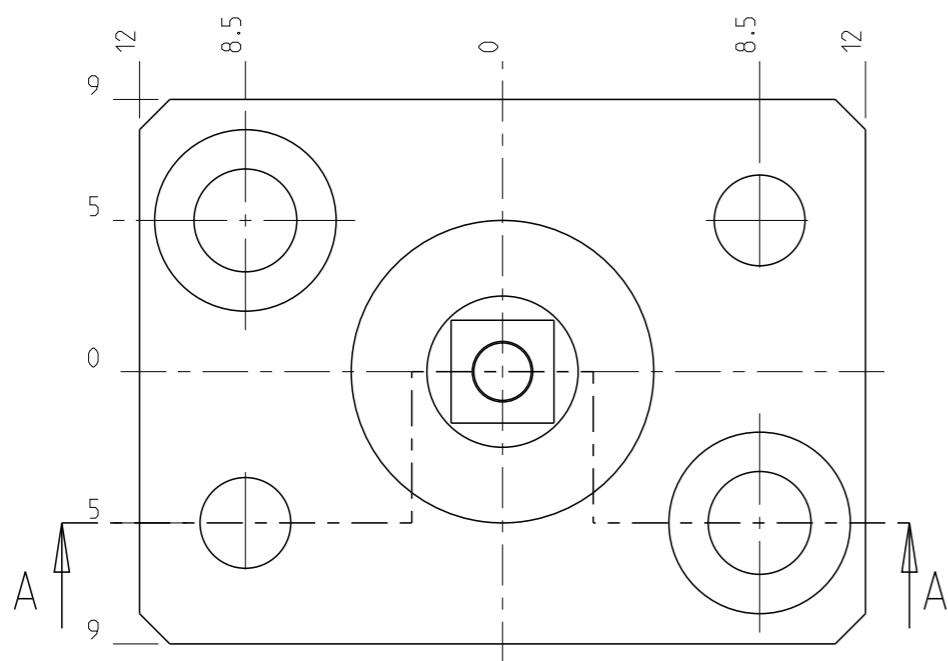
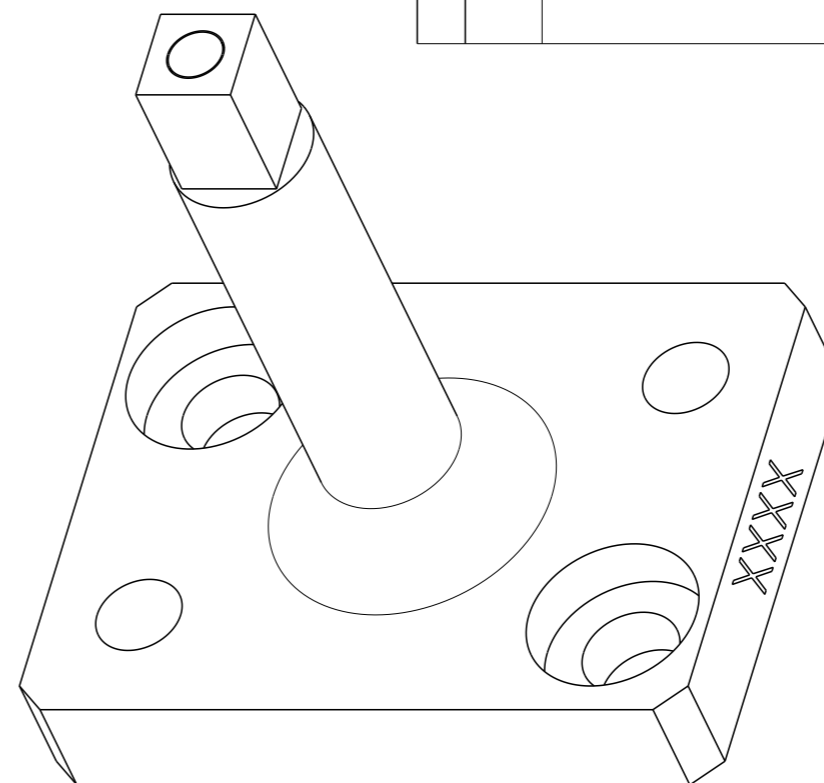
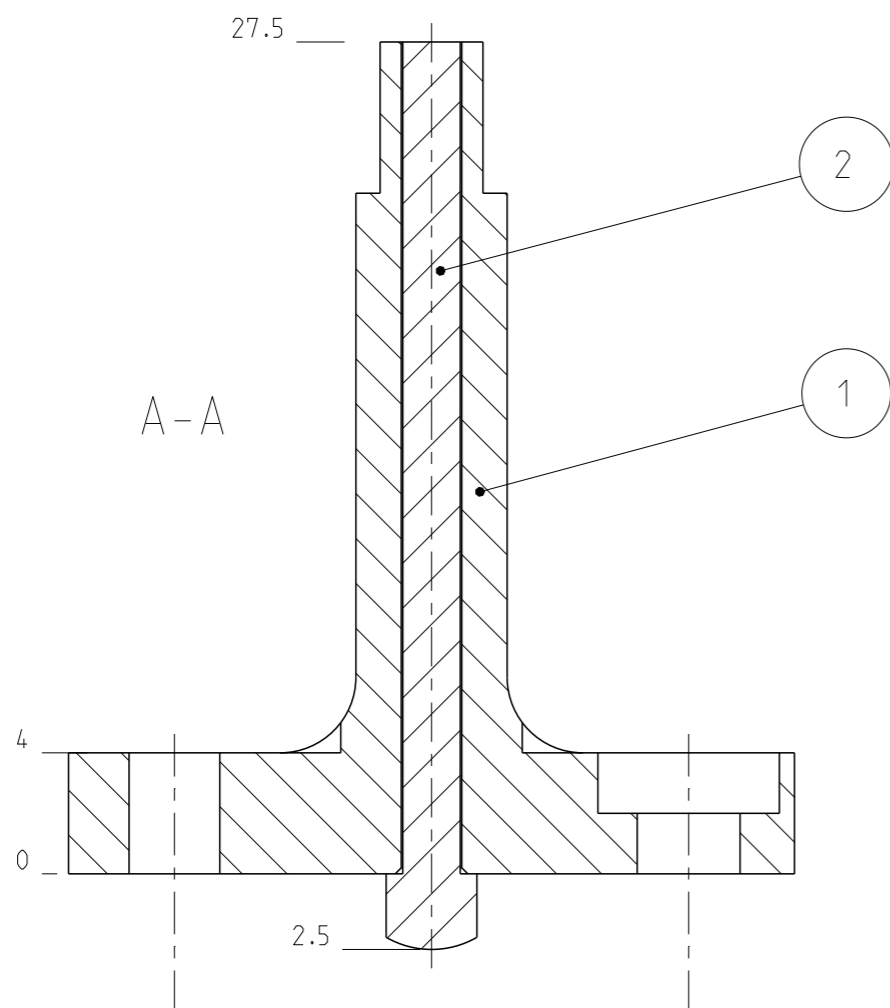
RELEASED FOR PUBLICATION

2016

REVISIONS


© COPYRIGHT 2016 BY Tyco Electronics AMP GmbH ALL RIGHTS RESERVED.

P	LTR	DESCRIPTION	DATE	DWN	APVD
	D	INITIAL RELEASE	17MAR2016	GK	UR



XXXX: marked by drawing-number, revision and supplier symbol  
 XXXX: Mit Zeichnungsnummer, Revision und Lieferantensymbol gekennzeichnet

POS	QTY	TE/PN	PART REV	DESCRIPTION	WEAR	SPARE
1	1	7-539949-6	D	HUELSE Sleeve	YES	YES
2	1	7-539949-7	D	BOLZEN Bolt	YES	YES

THIS DRAWING IS A CONTROLLED DOCUMENT.		DWN 17MAR2016 GOPALAKRISHNA HV	 TE Connectivity		
DIMENSIONS: mm		CHK 17MAR2016 REUTER UWE			
TOLERANCES UNLESS OTHERWISE SPECIFIED:		APVD 17MAR2016 SIEGFRIED B	NAME AMBOSSHUELSE Anvil Sleeve		
0 PLC ± 1 PLC ± 2 PLC ± 3 PLC ± 4 PLC ± ANGLES ±		PRODUCT SPEC	SIZE CAGE CODE DRAWING NO RESTRICTED TO		
MATERIAL		APPLICATION SPEC	A3 00779 C=7-539949-5		
FINISH		WEIGHT	SCALE 4:1 SHEET 1 OF 1 REV D		
		CUSTOMER DRAWING			