

PART NO. AND WEEK/YEAR DATE CODE TO BE PRINTED ON SIDE OF COMPLETED CAGE ASSEMBLY APPROXIMATELY AS SHOWN. SEE TABLE BELOW FOR DATE CODE INFORMATION.

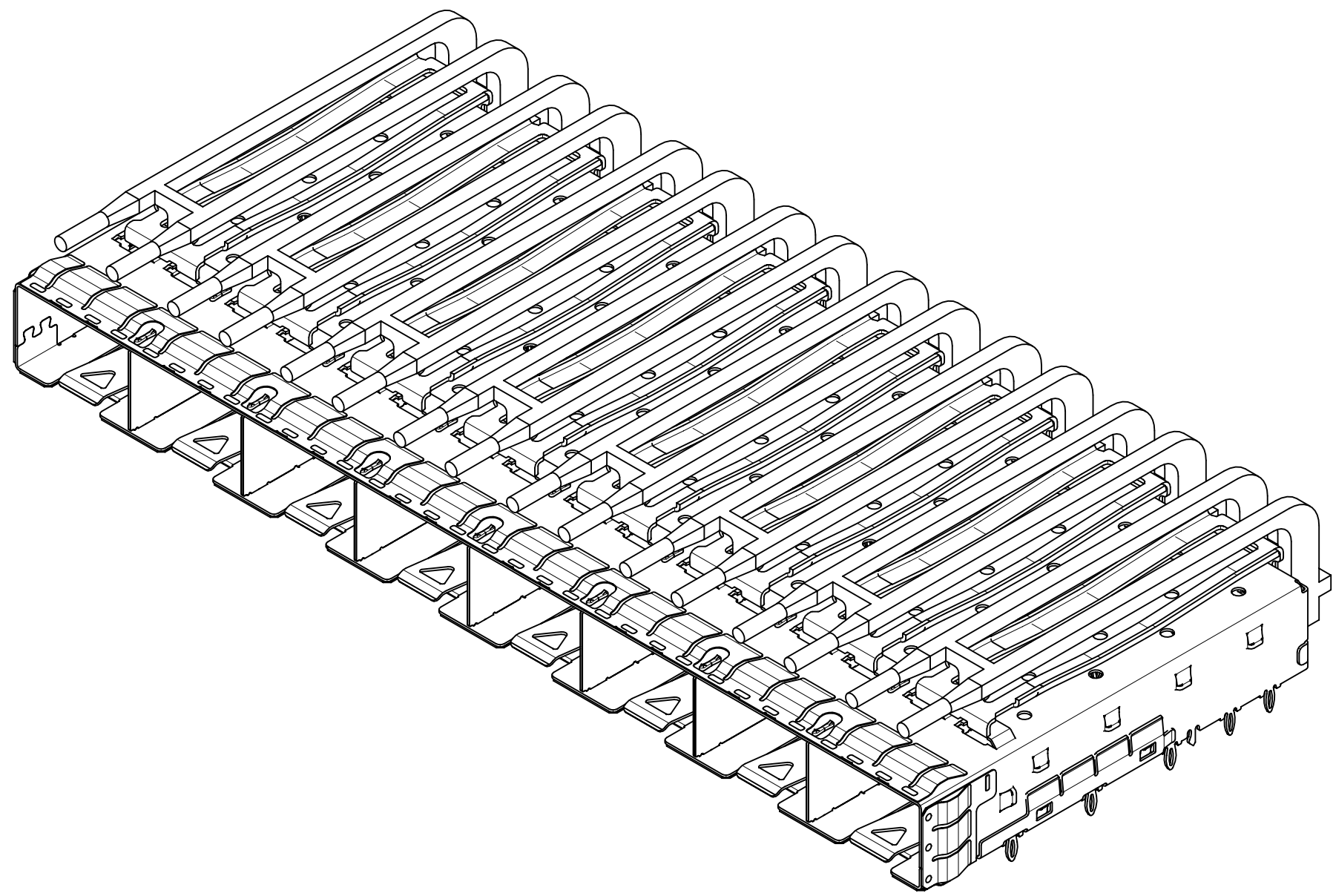
WEEK/YEAR DATE CODE TABLE	
WK	01 THRU 52 OR 53 EXAMPLE: 01 = FIRST WEEK OF YEAR 52 = LAST WEEK OF YEAR
YR	22, 23, 24 ETC. EXAMPLE: YEAR 2022 = 22

- NOTES:
- MATERIAL:
CAGE: 0.25mm THICK COPPER ALLOY, NICKEL PLATED.
SPRING FINGERS: STAINLESS STEEL.
HEATSINK SPRING CLIP: STAINLESS STEEL.
LIGHT PIPE: POLYCARBONATE
 - PRESS FIT LEGS 2.20mm LONG
 - PORTS ARE DESIGNED FOR SFP+ TRANSCEIVERS AND ARE COMPATIBLE WITH SFP TRANSCEIVERS. THE TOP SURFACE OF THE MODULE MUST BE FLAT (NO PRODUCT LABEL RECESS) AND THERMALLY CONDUCTIVE TO FUNCTION OPTIMALLY.
 - WELD SPOT MAY SHOW SLIGHT MATERIAL DISCOLORATION.
 - NO RoHS EXEMPTIONS.

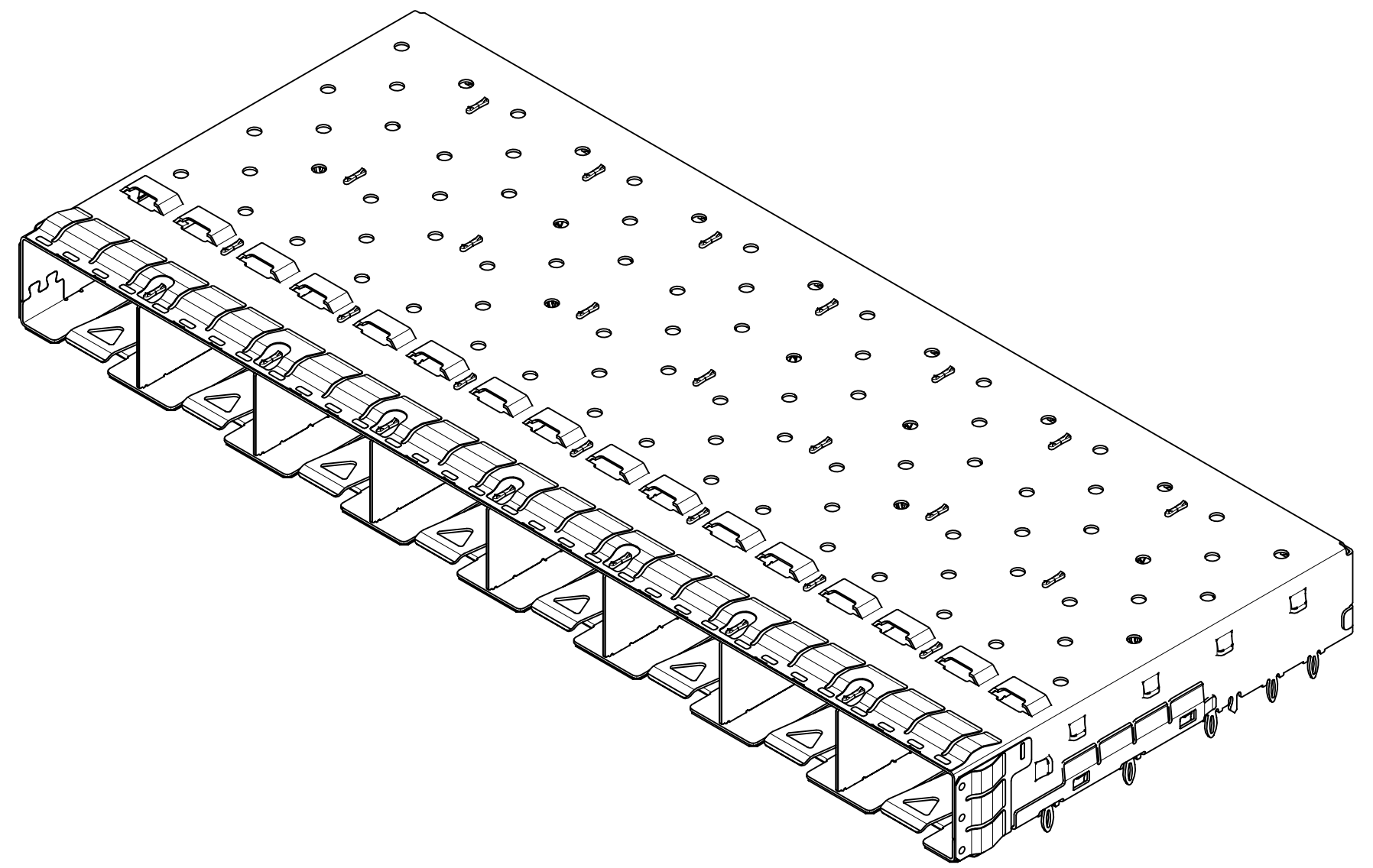
PART NUMBER	DESCRIPTION	LIGHT PIPE
747548825	SFP+ 1X8 CAGE ASSY W/ SF & LP	DUAL
747548826	SFP+ 1X8 CAGE ASSY W/ SF, & W/O LP	-

FUNCTIONAL SYMBOLS $\nabla_A = 0$ $\nabla_E = 0$ $\nabla_P = 0$ DIVISIONAL SYMBOLS	THIS DRAWING CONTAINS INFORMATION THAT IS PROPRIETARY TO MOLEX ELECTRONIC TECHNOLOGIES, LLC AND SHOULD NOT BE USED WITHOUT WRITTEN PERMISSION		CURRENT REV DESC: SEE REVISION TABLE	
	DIMENSION UNITS	SCALE	EC NO: 706896	
	mm	2:1	DRWN: PKH	2022/04/06
	GENERAL TOLERANCES (UNLESS SPECIFIED)		CHK'D: TKUMARKC	2022/05/19
ANGULAR TOL ± 1.0°		APPR: SCHIEN	2022/05/26	
4 PLACES ±		INITIAL REVISION:		
3 PLACES ±		DRWN: PKH	2022/04/06	
2 PLACES ± 0.13		APPR: SCHIEN	2022/05/26	
1 PLACE ± 0.25		THIRD ANGLE PROJECTION		
0 PLACES ±		DRAWING	SERIES	
DRAFT WHERE APPLICABLE MUST REMAIN WITHIN DIMENSIONS		C-SIZE	74754	
		MATERIAL NUMBER	CUSTOMER	
		SEE P/N TABLE		
		DOCUMENT NUMBER	DOC TYPE DOC PART REVISION	
		747548825	PSD ASY A	
		SHEET NUMBER	1 OF 7	

747548825



747548826



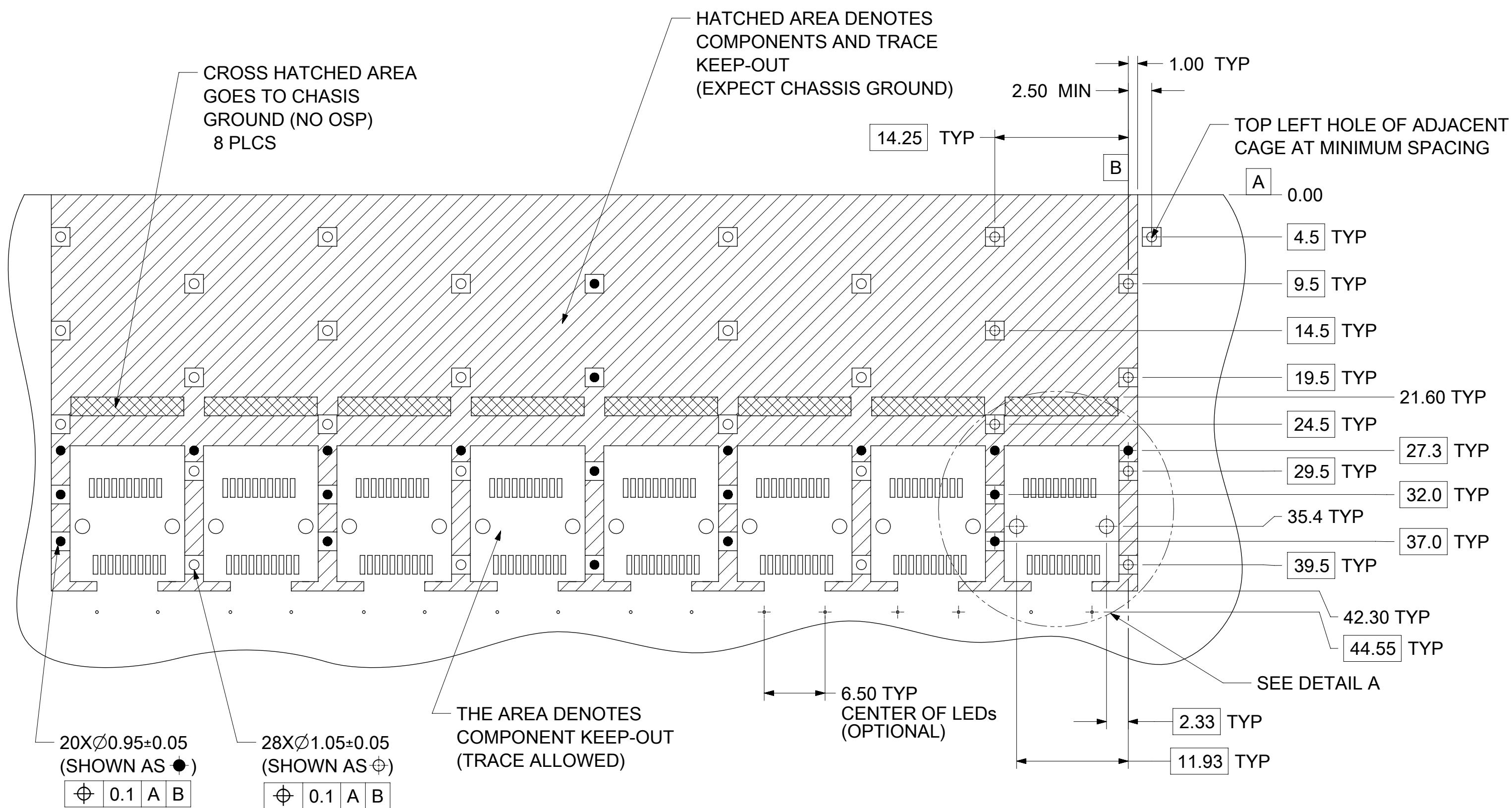
FUNCTIONAL SYMBOLS	THIS DRAWING CONTAINS INFORMATION THAT IS PROPRIETARY TO MOLEX ELECTRONIC TECHNOLOGIES, LLC AND SHOULD NOT BE USED WITHOUT WRITTEN PERMISSION		
	DIMENSION UNITS	SCALE	CURRENT REV DESC: SEE REVISION TABLE
$\nabla_A = 0$	mm	2:1	EC NO: 706896 DRWN: PKH 2022/04/06 CHK'D: TKUMARKC 2022/05/19 APPR: SCHIEN 2022/05/26
$\nabla_C = 0$	GENERAL TOLERANCES (UNLESS SPECIFIED)		
$\nabla_P = 0$	ANGULAR TOL $\pm 1.0^\circ$		INITIAL REVISION: DRWN: PKH 2022/04/06 APPR: SCHIEN 2022/05/26
DIVISIONAL SYMBOLS	4 PLACES \pm		
	3 PLACES \pm		DOCUMENT NUMBER
	2 PLACES ± 0.13		747548825
	1 PLACE ± 0.25		DOC TYPE
	0 PLACES \pm		PSD
			DOC PART
			ASY
			REVISION
			A
	DRAFT WHERE APPLICABLE MUST REMAIN WITHIN DIMENSIONS	THIRD ANGLE PROJECTION	MATERIAL NUMBER
			SEE P/N TABLE
		DRAWING	CUSTOMER
		C-SIZE	
		SERIES	SHEET NUMBER
		74754	2 OF 7

molex

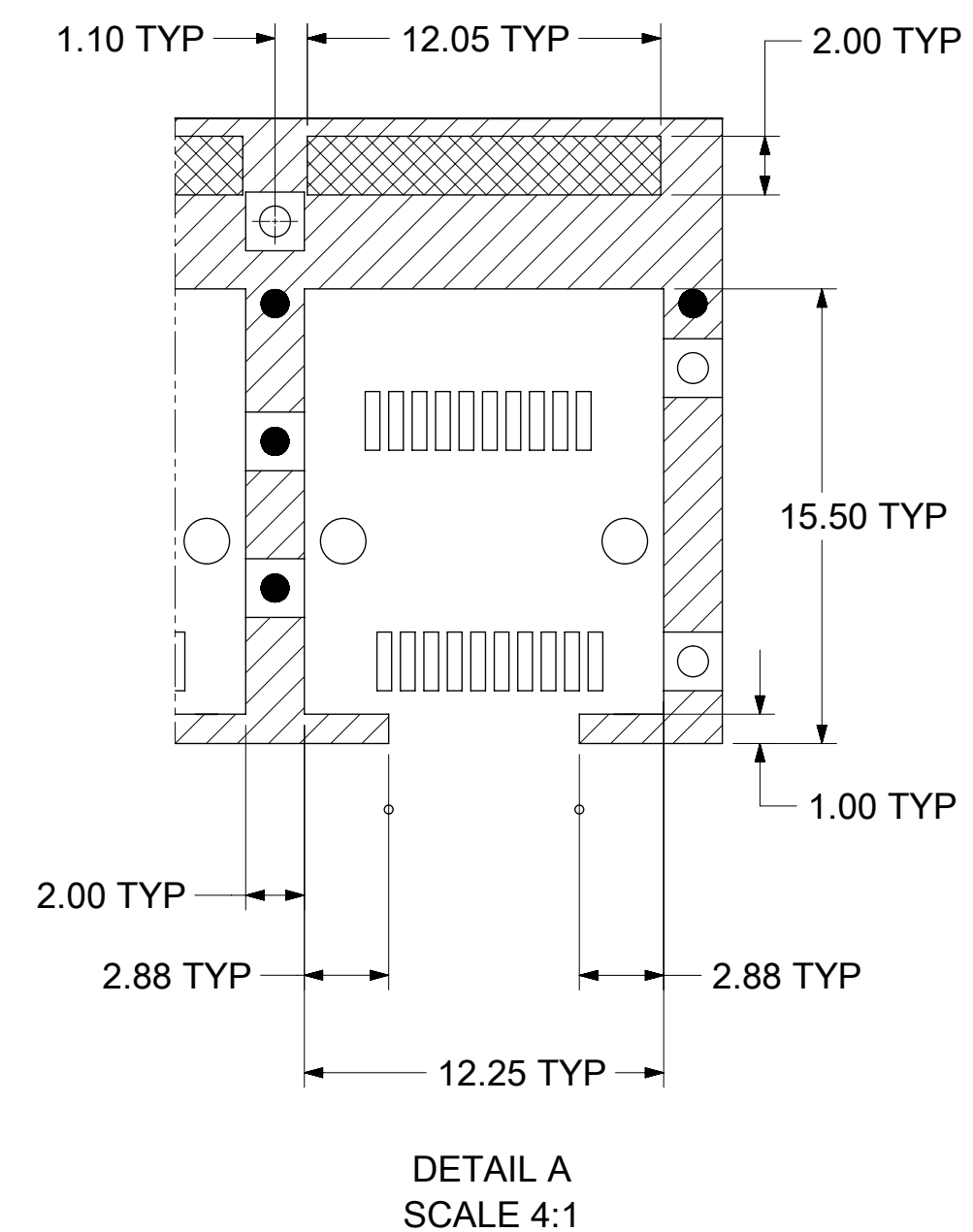
SFP+ 1X8 CAGE ASSY, PRESS FIT,
W/ SUS SPRING FINGER TYPE WITH LIGHT PIPE
OPTIONS

PRODUCT CUSTOMER DRAWING

PCB LAYOUT FOR SINGLE SIDE MOUNT



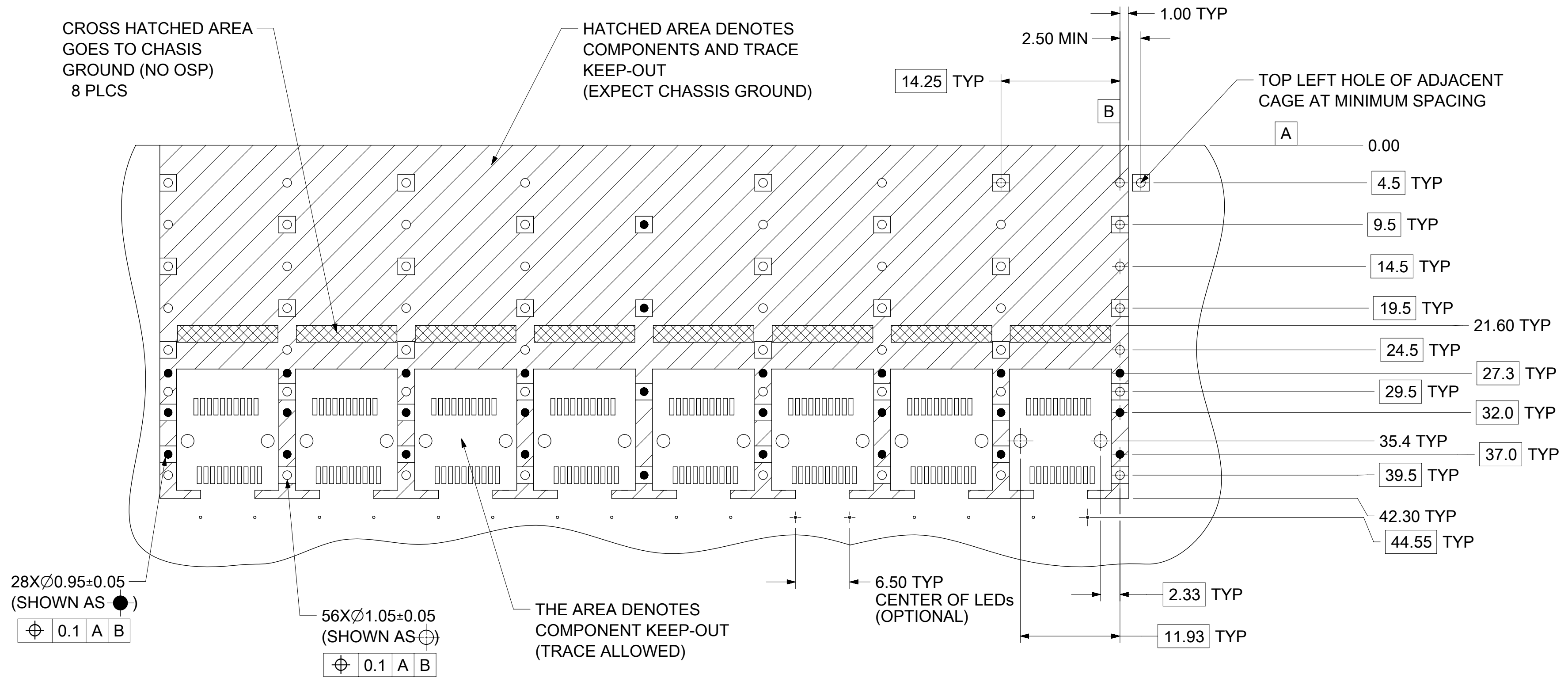
HOST CONNECTOR DETAIL



- NOTES:
- 1.PADS AND VIAS CONNECT TO CHASSIS GROUND (RECOMMEND PADS TO BE 2.00MM SQUARE)
 - 2.RECOMMENDED THRU HOLE PLATING INCLUDES HASL, OSP, OR IMMERSION (GOLD,SILVER, OR TIN).
 - 3.CONNECTOR PAD LAYOUT PER SFP+ MSA WILL ACCOMMODATE MOLEX CONNETOR SERIES 170382 OR EQUIVALENT.
 - 4.HOLE PATTERN REPEATS FOR EACH PORT. SPACING BETWEEN PORTS IS 14.25MM.
 - 5.MIN PCB THICKNESS FOR SINGLE SIDED USE:1.57MM.

FUNCTIONAL SYMBOLS	THIS DRAWING CONTAINS INFORMATION THAT IS PROPRIETARY TO MOLEX ELECTRONIC TECHNOLOGIES, LLC AND SHOULD NOT BE USED WITHOUT WRITTEN PERMISSION		CURRENT REV DESC: SEE REVISION TABLE	
	DIMENSION UNITS	SCALE		
$\frac{F}{A} = 0$	mm	2.5:1		
$\frac{F}{C} = 0$	GENERAL TOLERANCES (UNLESS SPECIFIED)			
	ANGULAR TOL $\pm 1.0^\circ$			
DIVISIONAL SYMBOLS	4 PLACES	\pm	EC NO: 706896	
	3 PLACES	\pm	DRWN: PKH	2022/04/06
	2 PLACES	± 0.13	CHK'D: TKUMARKC	2022/05/19
	1 PLACE	± 0.25	APPR: SCHIEN	2022/05/26
0 PLACES	\pm	INITIAL REVISION:		
DRAFT WHERE APPLICABLE MUST REMAIN WITHIN DIMENSIONS		THIRD ANGLE PROJECTION	DRAWING	SERIES
			C-SIZE	74754
DOCUMENT STATUS		P1	RELEASE DATE	2022/05/26 08:01:47
DOCUMENT NUMBER		CUSTOMER		SHEET NUMBER
747548825		SEE P/N TABLE		3 OF 7
PRODUCT CUSTOMER DRAWING		DOC TYPE	DOC PART	REVISION
		PSD	ASY	A

PCB LAYOUT FOR BELLY TO BELLY MOUNT

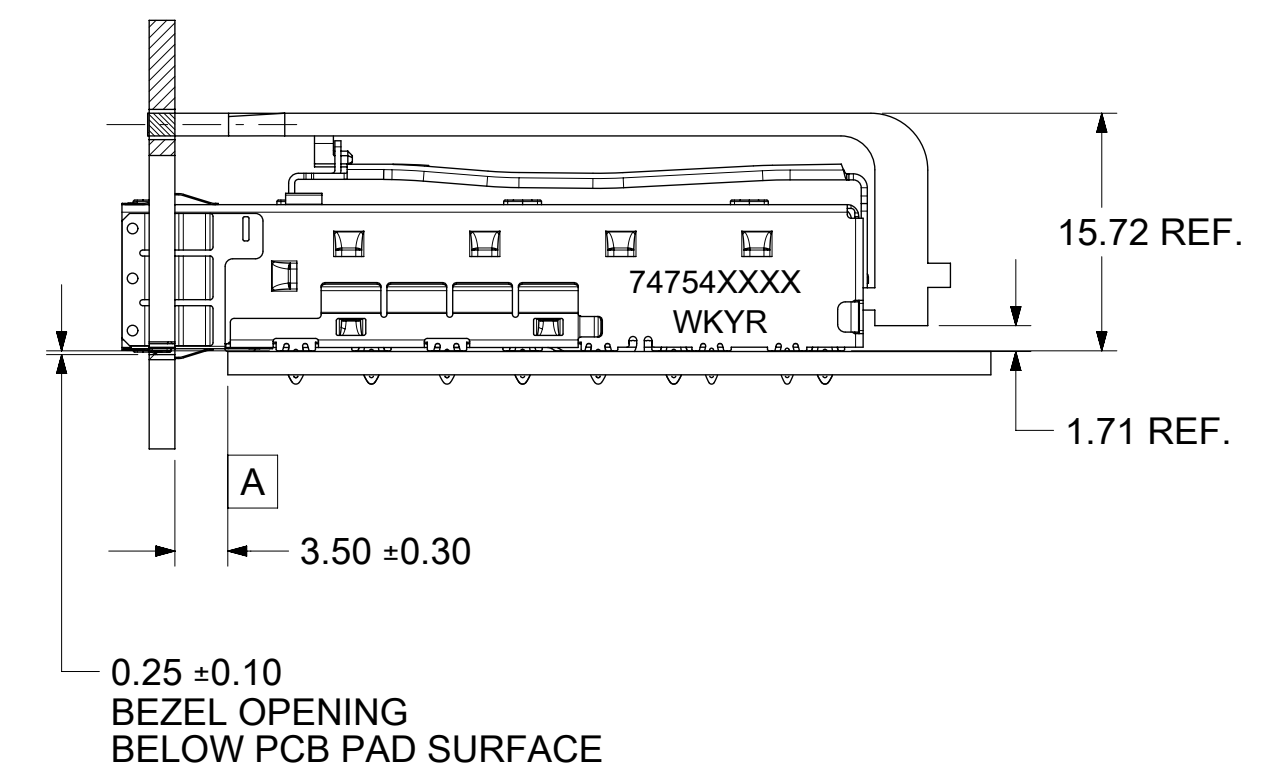
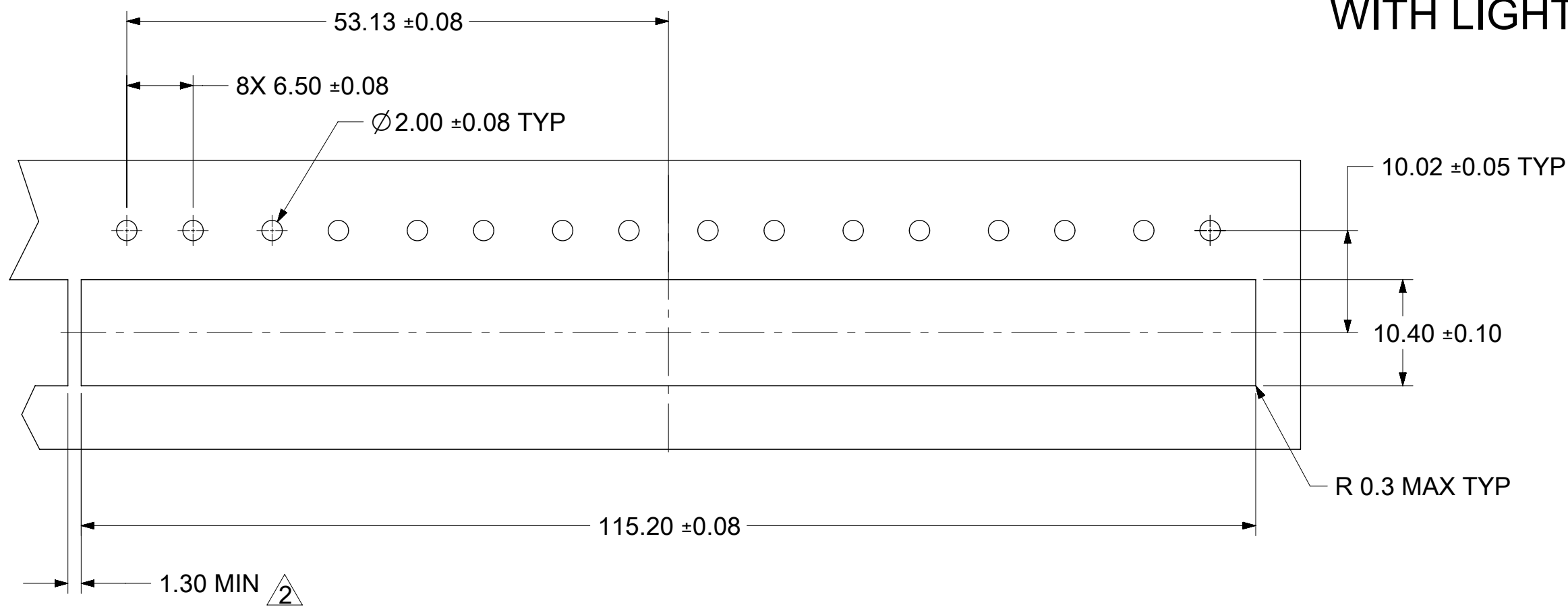


NOTE:
SEE SHEET 3 FOR
HOST CONNECTOR DETAIL

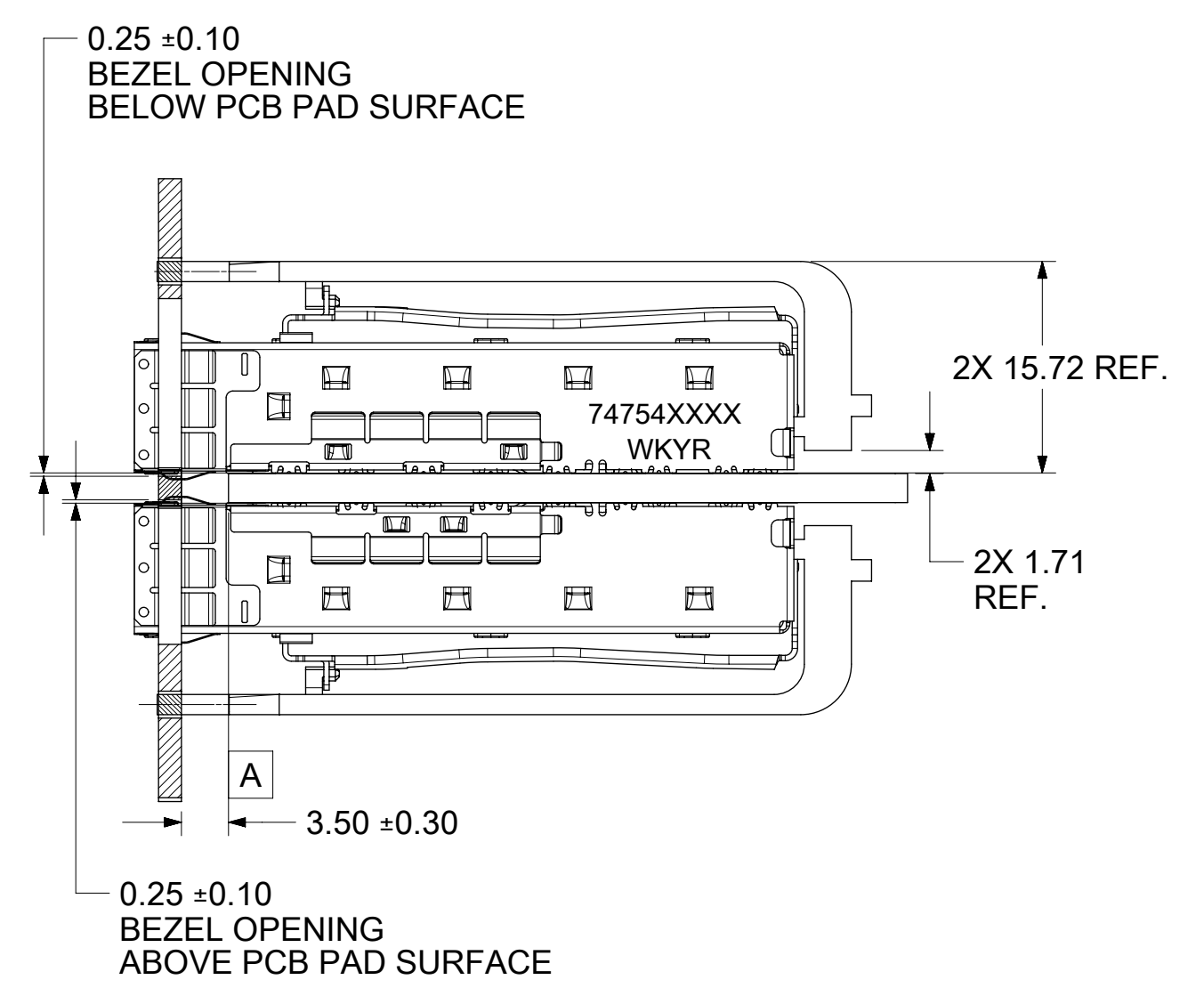
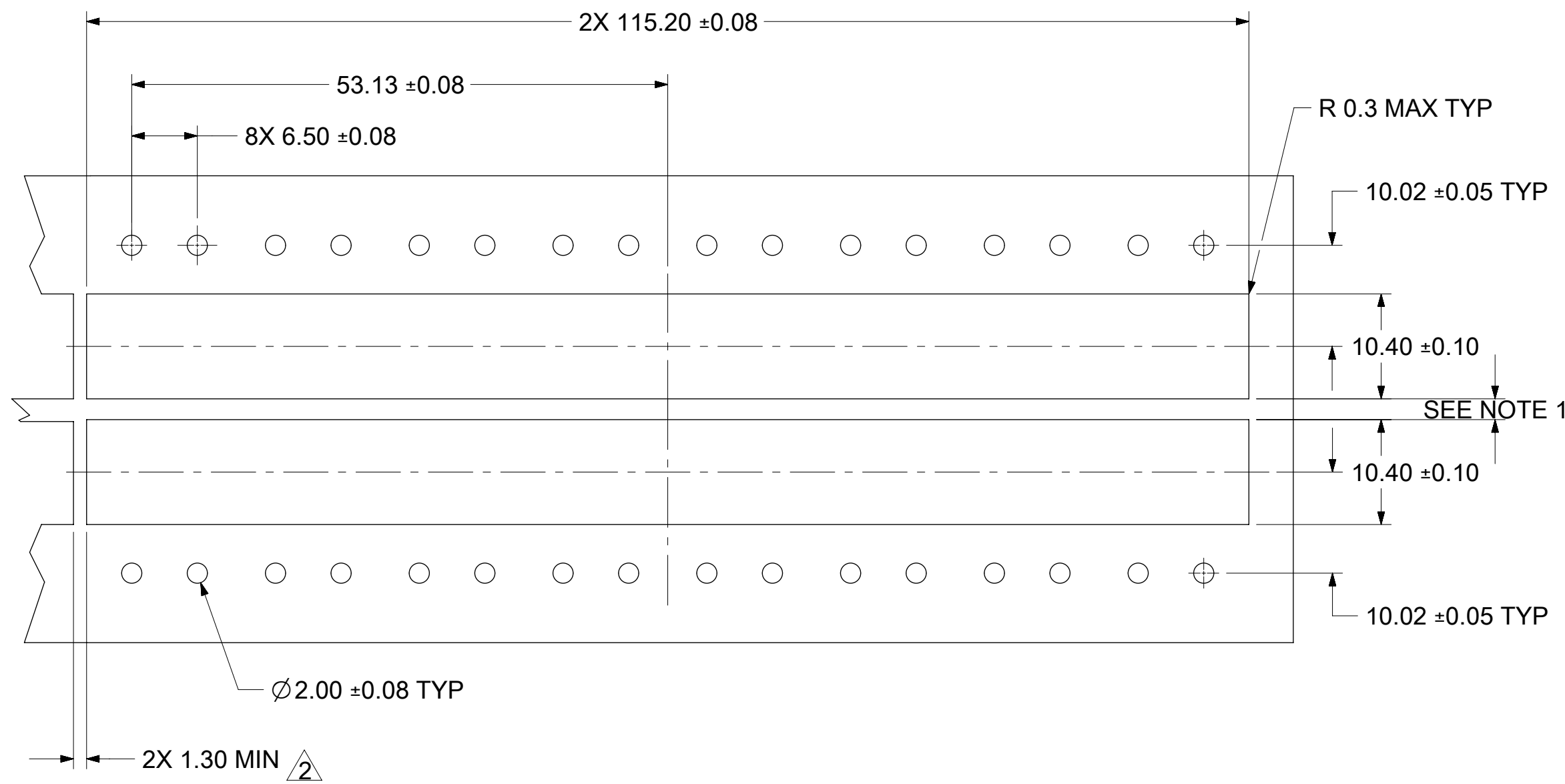
- NOTES:**
1. PADS AND VIAS CONNECT TO CHASSIS GROUND (RECOMMEND PADS TO BE 2.00MM SQUARE)
 2. RECOMMENDED THRU HOLE PLATING INCLUDES HASL, OSP, OR IMMERSION (GOLD, SILVER, OR TIN).
 3. CONNECTOR PAD LAYOUT PER SFP+ MSA WILL ACCOMMODATE MOLEX CONNECTOR SERIES 170382 OR EQUIVALENT.
 4. HOLE PATTERN REPEATS FOR EACH PORT. SPACING BETWEEN PORTS IS 14.25MM.
 5. MIN PCB THICKNESS FOR BELLY TO BELLY USE: 2.25MM.

FUNCTIONAL SYMBOLS	THIS DRAWING CONTAINS INFORMATION THAT IS PROPRIETARY TO MOLEX ELECTRONIC TECHNOLOGIES, LLC AND SHOULD NOT BE USED WITHOUT WRITTEN PERMISSION		CURRENT REV DESC: SEE REVISION TABLE	
	DIMENSION UNITS	SCALE		
$\overline{A} = 0$	mm	2.5:1		
$\overline{C} = 0$	GENERAL TOLERANCES (UNLESS SPECIFIED)			
	ANGULAR TOL \pm 1.0°			
$\overline{P} = 0$	4 PLACES \pm		EC NO: 706896	2022/04/06
	3 PLACES \pm		DRWN: PKH	2022/05/19
DIVISIONAL SYMBOLS	2 PLACES \pm 0.13		CHK'D: TKUMARKC	2022/05/26
	1 PLACE \pm 0.25		APPR: SCHIEN	
0 PLACES \pm		INITIAL REVISION:		
DRAFT WHERE APPLICABLE MUST REMAIN WITHIN DIMENSIONS		DRWN: PKH	2022/04/06	
		APPR: SCHIEN	2022/05/26	
		THIRD ANGLE PROJECTION	DRAWING	SERIES
			C-SIZE	74754
DOCUMENT STATUS		P1	RELEASE DATE	2022/05/26 08:01:47
DOCUMENT NUMBER		CUSTOMER		SHEET NUMBER
747548825		SEE P/N TABLE		4 OF 7

BEZEL AND BOARD POSITION DIMENSIONS FOR SINGLE SIDE MOUNTING WITH LIGHT PIPE



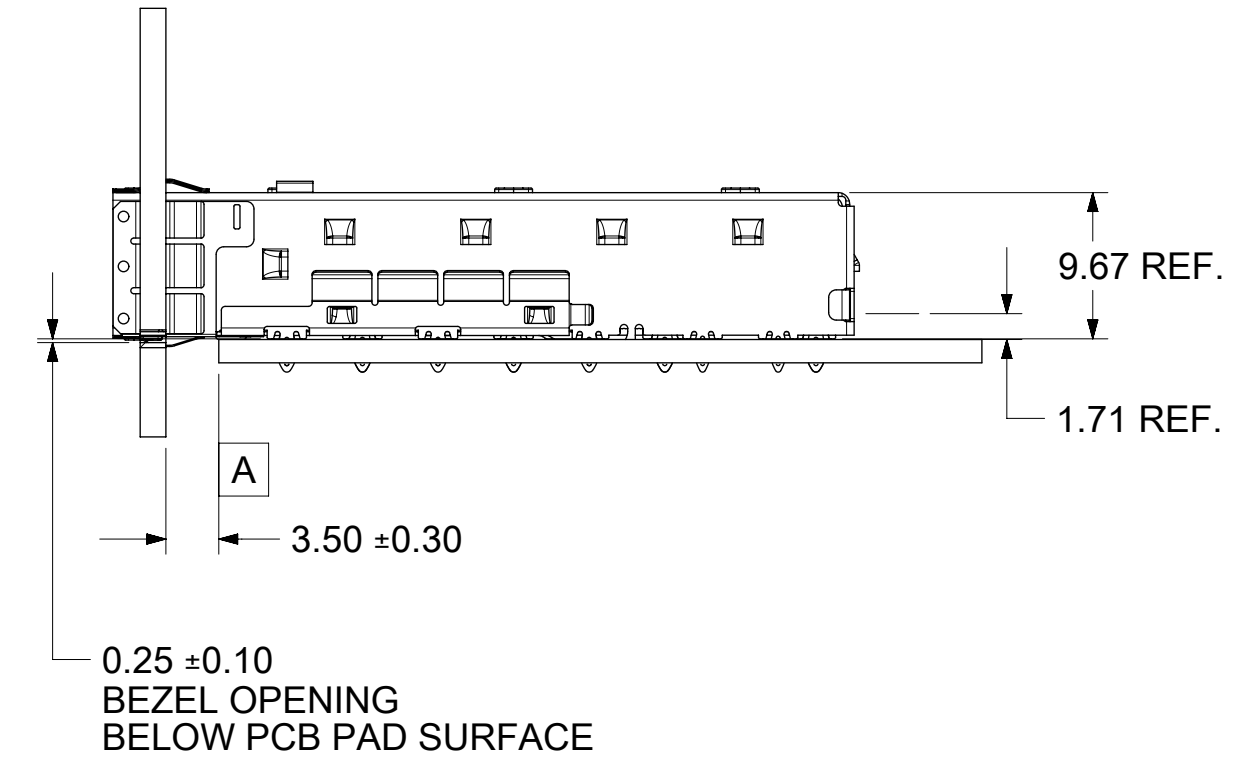
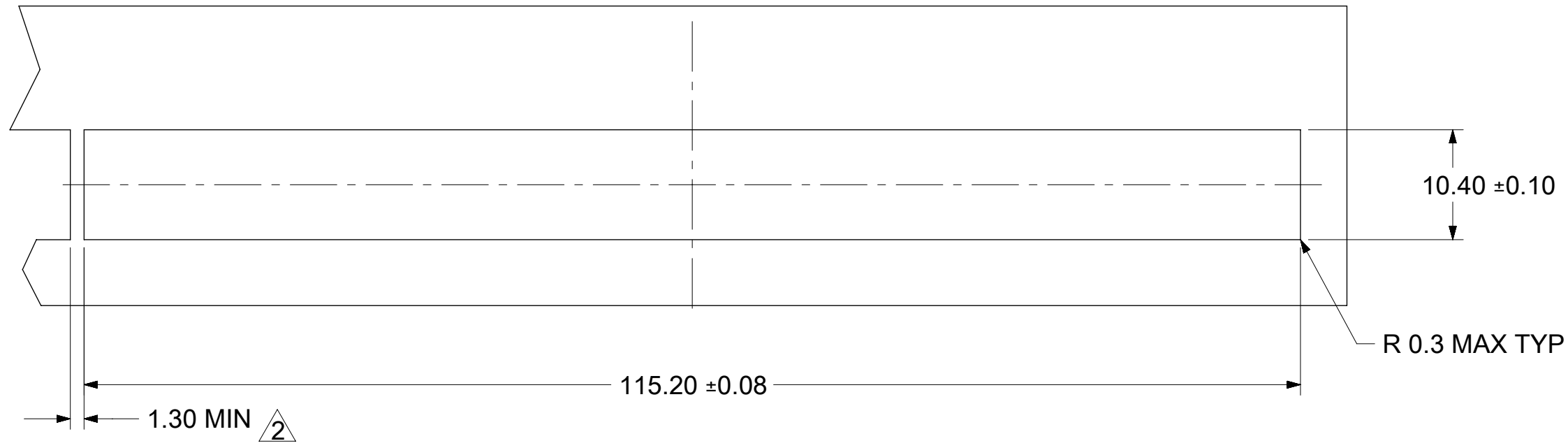
BEZEL AND BOARD POSITION DIMENSIONS FOR BELLY TO BELLY MOUNTING WITH LIGHT PIPE



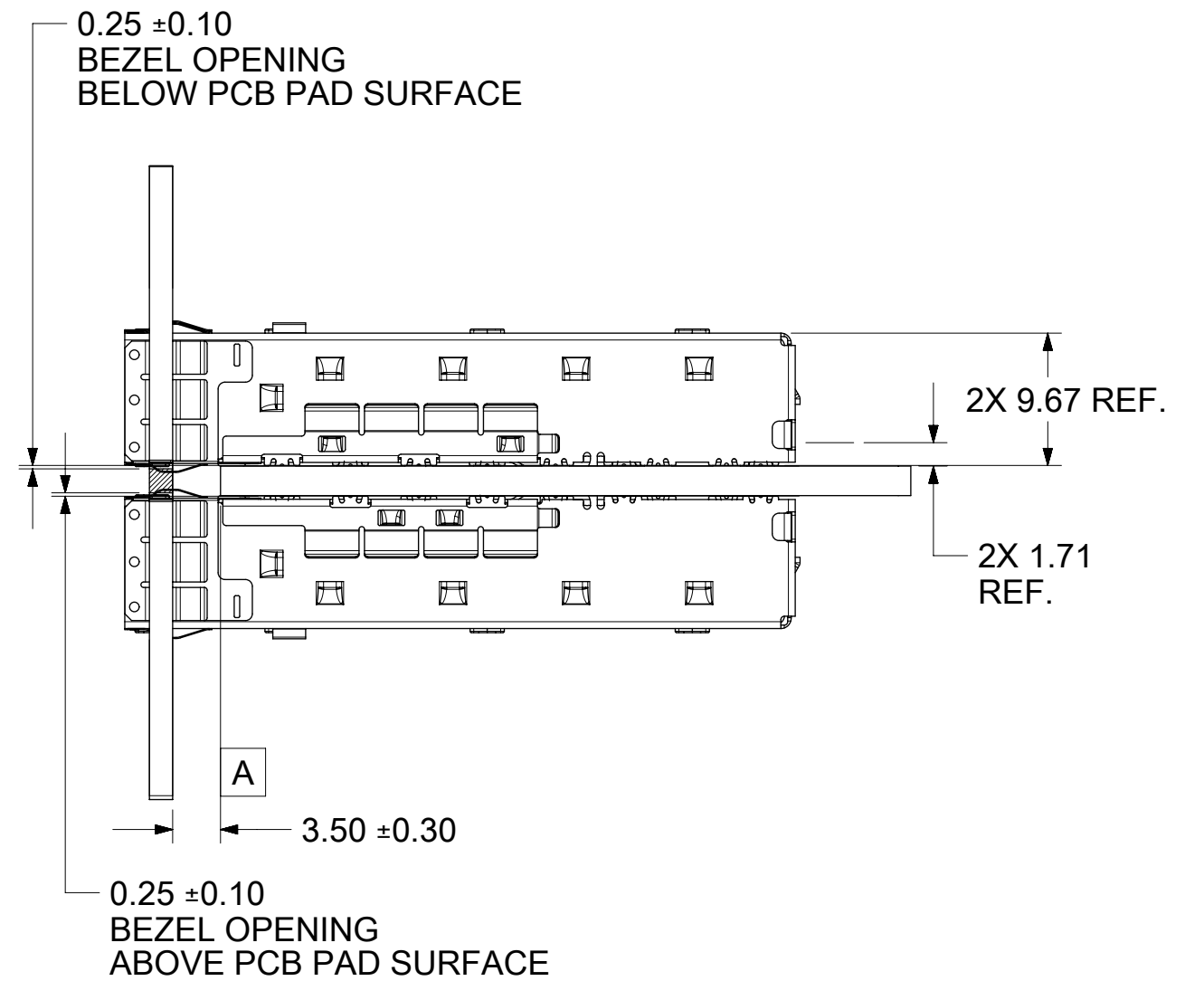
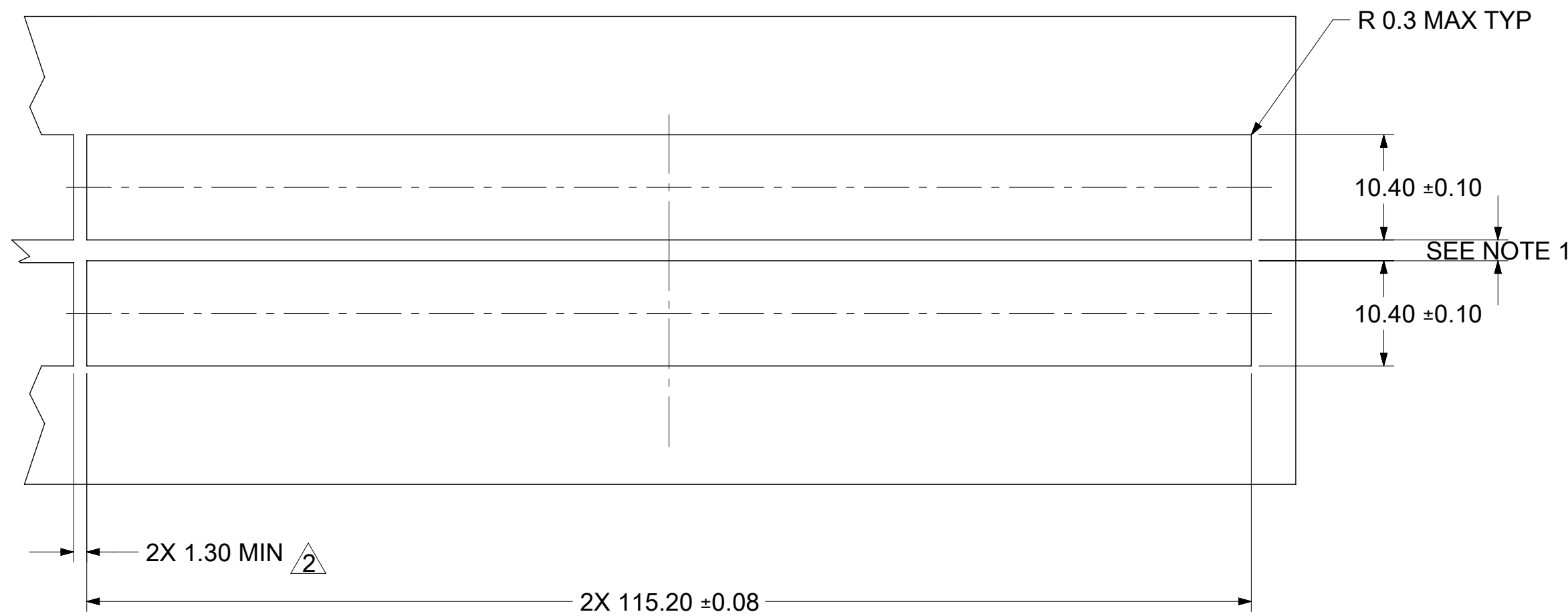
NOTE:
 1. PCB THICKNESS VARIATION MUST BE CONSIDERED WHEN DETERMINING BEZEL OPENING SIZE AND LOCATION.
 2. THIS DIM IS FOR REF ONLY USER CAN MODIFY IT DEPENDS ON APPLICATION, HOLE OF ADJACENT CAGE ON PCB LAYOUT VARIES BASED ON MODIFICATION.

FUNCTIONAL SYMBOLS	THIS DRAWING CONTAINS INFORMATION THAT IS PROPRIETARY TO MOLEX ELECTRONIC TECHNOLOGIES, LLC AND SHOULD NOT BE USED WITHOUT WRITTEN PERMISSION										
$\nabla_A = 0$	DIMENSION UNITS	SCALE	CURRENT REV DESC: SEE REVISION TABLE							molex	
$\nabla_C = 0$	mm	2:1									
$\nabla_P = 0$	GENERAL TOLERANCES (UNLESS SPECIFIED)		EC NO: 706896							SFP+ 1X8 CAGE ASSY, PRESS FIT, W/ SUS SPRING FINGER TYPE WITH LIGHT PIPE OPTIONS	
	ANGULAR TOL ± 1.0°		DRWN: PKH 2022/04/06								
DIVISIONAL SYMBOLS	4 PLACES ±		CHK'D: TKUMARKC 2022/05/19							PRODUCT CUSTOMER DRAWING	
	3 PLACES ±		APPR: SCHIEN 2022/05/26								
	2 PLACES ± 0.13		INITIAL REVISION:							DOCUMENT NUMBER 747548825	
	1 PLACE ± 0.25		DRWN: PKH 2022/04/06								
	0 PLACES ±		APPR: SCHIEN 2022/05/26							DOC TYPE DOC PART REVISION PSD ASY A	
DRAFT WHERE APPLICABLE MUST REMAIN WITHIN DIMENSIONS			THIRD ANGLE PROJECTION		DRAWING		SERIES		MATERIAL NUMBER CUSTOMER SHEET NUMBER SEE P/N TABLE 5 OF 7		
					C-SIZE		74754				

BEZEL AND BOARD POSITION DIMENSIONS FOR SINGLE SIDE MOUNTING WITHOUT LIGHT PIPE



BEZEL AND BOARD POSITION DIMENSIONS FOR BELLY TO BELLY MOUNTING WITHOUT LIGHT PIPE



NOTE:
 1.PCB THICKNESS VARIATION MUST BE CONSIDERED WHEN DETERMINING BEZEL OPENING SIZE AND LOCATION.
 2.THIS DIM IS FOR REF ONLY USER CAN MODIFY IT DEPENDS ON APPLICATION,
 HOLE OF ADJACENT CAGE ON PCB LAYOUT VARIES BASED ON MODIFICATION.

FUNCTIONAL SYMBOLS $\frac{F}{A} = 0$ $\frac{F}{C} = 0$ $\frac{F}{P} = 0$	THIS DRAWING CONTAINS INFORMATION THAT IS PROPRIETARY TO MOLEX ELECTRONIC TECHNOLOGIES, LLC AND SHOULD NOT BE USED WITHOUT WRITTEN PERMISSION		CURRENT REV DESC: SEE REVISION TABLE	
	DIMENSION UNITS	SCALE		
	mm	1:1		
GENERAL TOLERANCES (UNLESS SPECIFIED)		EC NO: 706896		
ANGULAR TOL ± 1.0°		DRWN: PKH 2022/04/06		
4 PLACES ±		CHK'D: TKUMARKC 2022/05/19		
DIVISIONAL SYMBOLS		APPR: SCHIEN 2022/05/26		PRODUCT CUSTOMER DRAWING
3 PLACES ±		INITIAL REVISION:		DOCUMENT NUMBER
2 PLACES ± 0.13		DRWN: PKH 2022/04/06		747548825
1 PLACE ± 0.25		APPR: SCHIEN 2022/05/26		DOC TYPE
0 PLACES ±		THIRD ANGLE PROJECTION		DOC PART
DRAFT WHERE APPLICABLE MUST REMAIN WITHIN DIMENSIONS		DRAWING	SERIES	REVISION
		C-SIZE	74754	A
		MATERIAL NUMBER		SHEET NUMBER
		SEE P/N TABLE		6 OF 7

