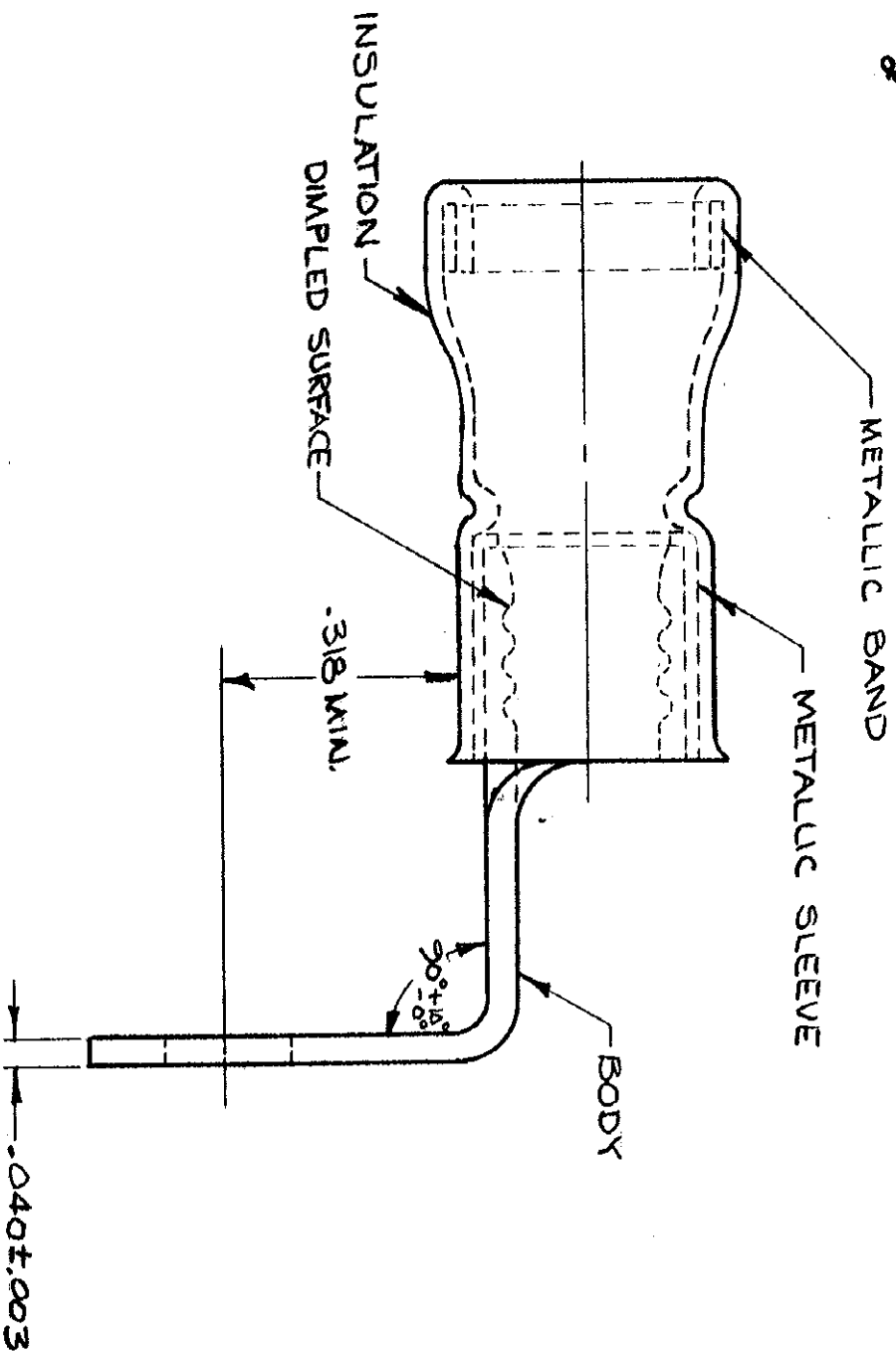
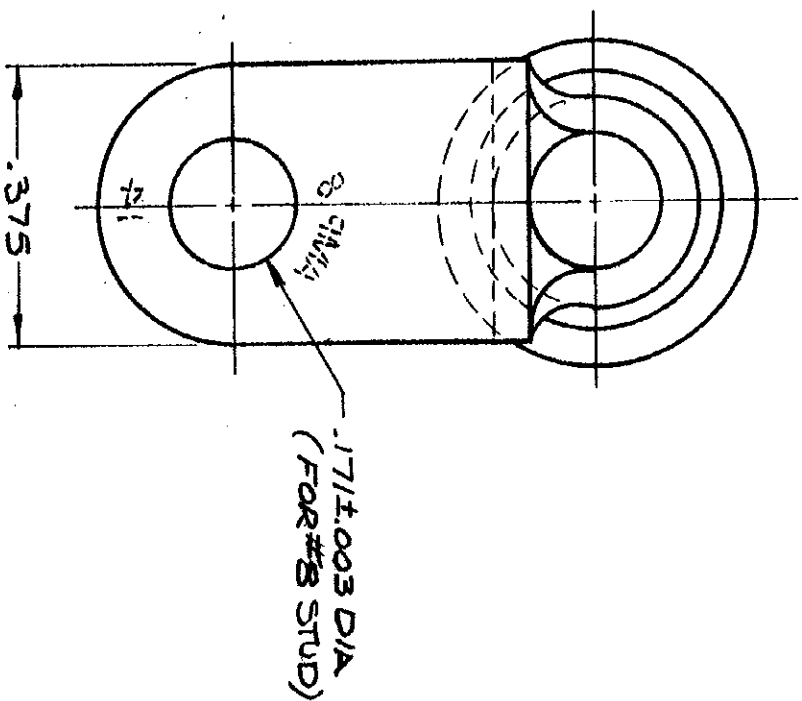


© COPYRIGHT 1978 BY AMP INCORPORATED, HARRISBURG, PA.  
 ALL INTERNATIONAL RIGHTS RESERVED. AMP INCORPORATED PRODUCTS  
 COVERED BY U. S. AND FOREIGN PATENTS AND/OR PATENTS PENDING.

ALL DIMENSIONS ARE IN INCHES  
 UNLESS OTHERWISE SPECIFIED  
 TOLERANCES ON:  
 DECIMALS ±.008  
 ANGLES ± 5°



FOR .298 MAX DIA. WIRE INSULATION



REVOLUTIONS		DATE	APPROVED
P	F		
✓	✓	1-3-78	CE
✓	✓	4/17/79	REB
✓	✓	5-9-80	JT

REV	DESCRIPTION	DATE	APPROVED
0	NPS 77-0307	CE	1-3-78
A	REV. PER P-8347	REB	4/17/79
B	REV G-4680	JT	5-9-80

CONTRACT NO	DR	CHK	APPD	APPD	APPD	OTHER APPD
15-78	<i>P. Kelly</i>	<i>M. Kelly</i>	1-4-78	1-4-78	1-4-78	



NAME: WIRE TERMINAL  
 AMP-L-BOND-RING TONGUE - 90° BENT  
 WIRE SIZE: #8

SCALE	4:1
SIZE	B
CODE IDENT NO	00779
DRAWING NO	54575
SHEET	1 of 1

UNLESS OTHERWISE SPECIFIED DIMENSIONS ARE IN INCHES. TOLERANCES ON: DECIMALS ±.008 ANGLES ± 5°
MATERIAL
SEE TABLE
FINISH
SEE TABLE