

LEAF HINGE



Hinge Rotation Angle



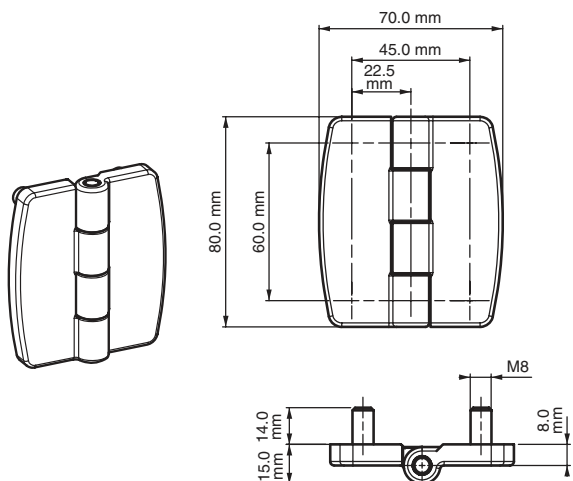
Specifications

- Material:
Body: Zinc Alloy (Zamak) DIN-EN 1774-ZnAl4Cu1
Pin: Stainless Steel
- Available in three sizes, stud installation:
- 80 mm x 70 mm
- 80 mm x 110 mm
- 80 mm x 150 mm

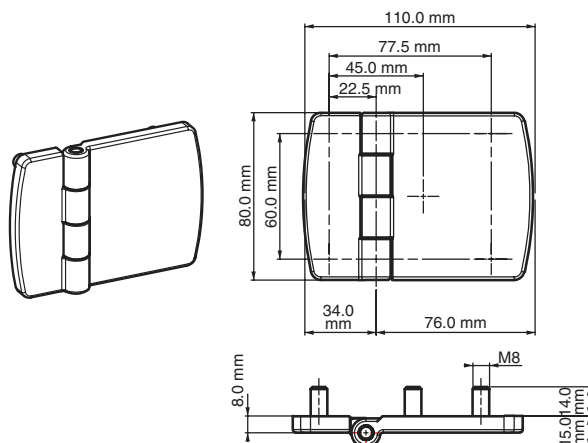
Features

- Generally used for plain / flush-mounted doors
- Stud versions fitted with M8 x 14 mm threaded stud
- Stainless steel (AISI 304) hinge pin
- Applications: Generators, machinery covers, electric panels

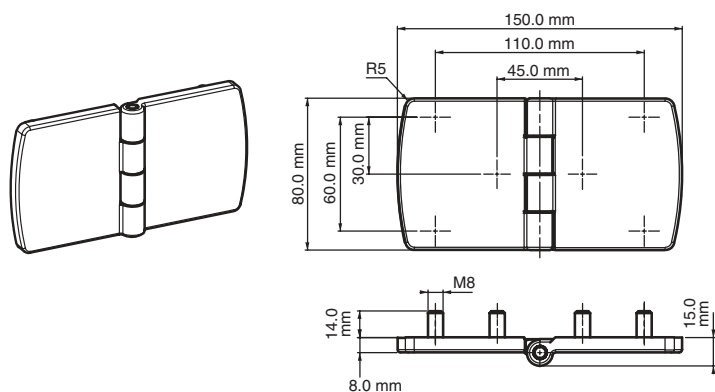
Version 1



Version 2



Version 3



Item Number	Hinge Rotation	Material	Finish	Version
1399111	270°	Zinc Alloy	Chrome	1
1399112	270°	Zinc Alloy	Chrome	2
1399113	270°	Zinc Alloy	Chrome	3
1399121	270°	Zinc Alloy	Black	1
1399122	270°	Zinc Alloy	Black	2
1399123	270°	Zinc Alloy	Black	3