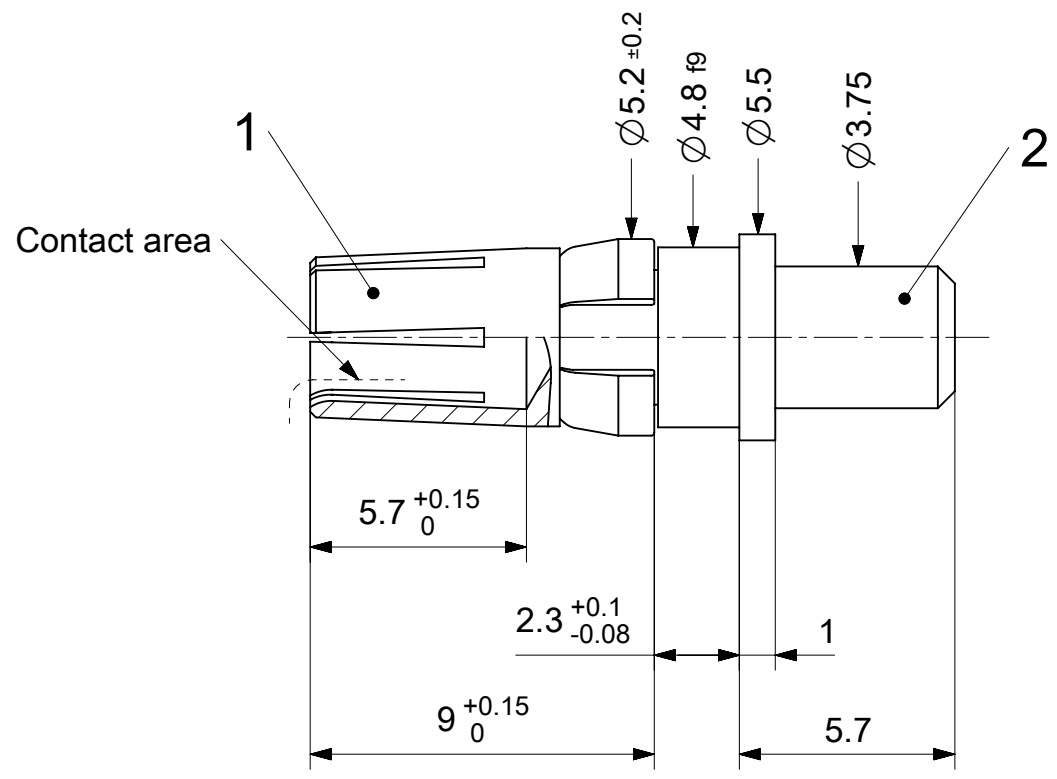


2:1



RoHS compliant  
by exemption

1731120396	FMP139S104	104
1731121130	FMP139S105	105
1731120397	FMP139S115	115
1731121291	FMP139S203	203
Material Number	FCT Part Number	Material + Finish See extra sheet

UNLESS OTHERWISE SPECIFIED DIMENSIONS FOR REFERENCE ONLY				REPLACEMENT FOR DOCUMENT NUMBER: FMP139S						
THIS DRAWING CONTAINS INFORMATION THAT IS PROPRIETARY TO MOLEX ELECTRONIC TECHNOLOGIES, LLC AND SHOULD NOT BE USED WITHOUT WRITTEN PERMISSION										
FUNCTIONAL SYMBOLS	THIS DRAWING CONTAINS INFORMATION THAT IS PROPRIETARY TO MOLEX ELECTRONIC TECHNOLOGIES, LLC AND SHOULD NOT BE USED WITHOUT WRITTEN PERMISSION	DIMENSION UNITS	SCALE	CURRENT REV DESC:						
	mm	5:1	EC NO: 686935							
	GENERAL TOLERANCES (UNLESS SPECIFIED)			DRWN: FVETTER 2021/11/29						
	ANGULAR TOL ± °			CHK'D: MTEUBEL 2021/11/30						
	4 PLACES ±			APPR: MTEUBEL 2021/11/30						
DIVISIONAL SYMBOLS	3 PLACES ±			INITIAL REVISION:						
	2 PLACES ±			DRWN: VLOKESHA 2021/04/07						
	1 PLACE ±			APPR: MTEUBEL 2021/11/25						
	0 PLACES ±			DOCUMENT NUMBER						
	DRAFT WHERE APPLICABLE MUST REMAIN WITHIN DIMENSIONS			FIRST ANGLE PROJECTION	DRAWING	SERIES	MATERIAL NUMBER	CUSTOMER	DOC TYPE	DOC PART
				A4-SIZE	173112	1731120396	GENERAL MARKET	PSD	000	A1

**molex**

FCT 40A HIGH POWER CONTACT  
FOR EN 60603-2

PRODUCT CUSTOMER DRAWING

DOCUMENT NUMBER: 1731120396  
DOC TYPE: PSD  
DOC PART: 000  
REVISION: A1

DOCUMENT STATUS	P1	RELEASE DATE	2021/11/30	09:45:36
-----------------	----	--------------	------------	----------