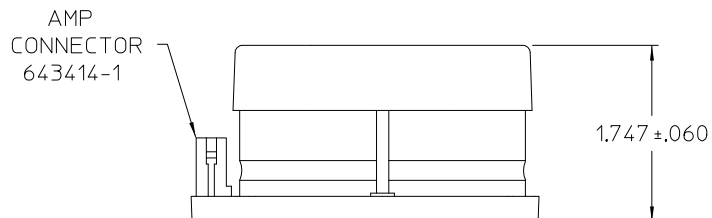
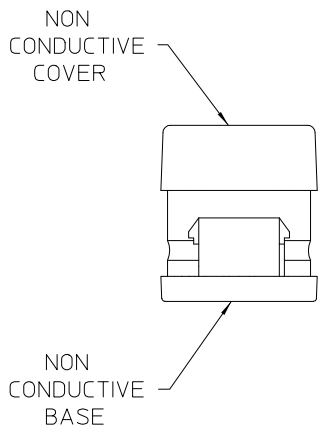
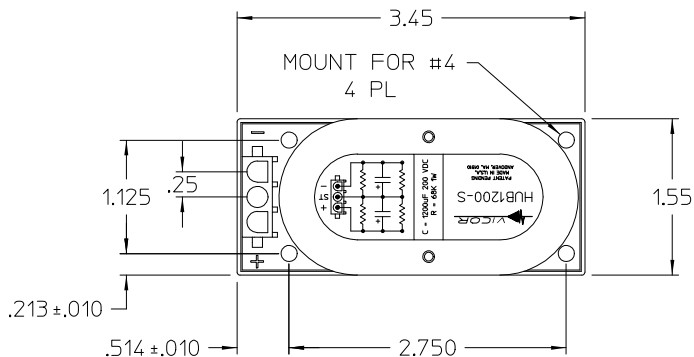


VICOR CONFIDENTIAL

THIS DOCUMENT AND THE DATA DISCLOSED HEREIN OR HEREWITH IS NOT TO BE REPRODUCED, USED, OR DISCLOSED IN WHOLE OR IN PART TO ANYONE WITHOUT PERMISSION OF VICOR CORP.

REV.	DESCRIPTION	DATE	APPROVED
01	RELEASED PER E980365	DPK	9/14/98
02	REVSD- E980451	RCM	12/1/98
03	REVSD PER E990386	AK	9/14/99
04	REVSD PER E990450	RCM	3/6/00
5	REVISED PER E0430458	PEI	09/30/04
6	REVISED PER ECO Request E064403	REJH	08/04/06

VICOR HUB PART NO.	MATING CONNECTOR		
	ORDER FROM: AMP		ORDER FROM: VICOR
	HOUSING (QTY 1)	PINS (QTY 3)	HOUSING/PINS KIT (QTY 1)
HUB1200-S	770018-1	770248-1	21393



Note: RoHS compliant, lead free per CST-0001 latest revision.

AT +105°C, 120HZ UNLESS OTHERWISE NOTED					
ITEM	CHARACTERISTICS				
OPERATING TEMPERATURE	-40 to +105°C				
CAPACITANCE TOLERANCE @+20°C	±20%				
RIPPLE CURRENT MULTIPLIER	AMBIENT TEMPERATURE (°C)				
	+45	+60	+70	+85	+105
DISSIPATION FACTOR @ +20°C	2.64	2.23	2.12	1.73	1.00
RATED VOLTAGE (WVDC)	200				
CAPACITANCE VALUE (C1, C2 EA. µF)	1200				
MAXIMUM ESR (OHMS) @ +20°C	0.120				
MAXIMUM RIPPLE CURRENT (A rms)	2.50				

DRAWN BY C HUTCHINS	DATE 7/97
UNLESS OTHERWISE SPECIFIED DIMENSIONS ARE IN INCHES- TOLERANCES ARE: FRACTIONS DECIMALS ANGLES +1/64 .XX+ .01 +1° .XXX-.005	
THIRD ANGLE PROJECTION	DO NOT SCALE DRAWING

OUTLINE DRAWING, HUB1200-S			
SIZE C	FSCM NO. 67131	DWG NO. 16765	REV 6
SCALE FULL	SHEET 1 OF 1		