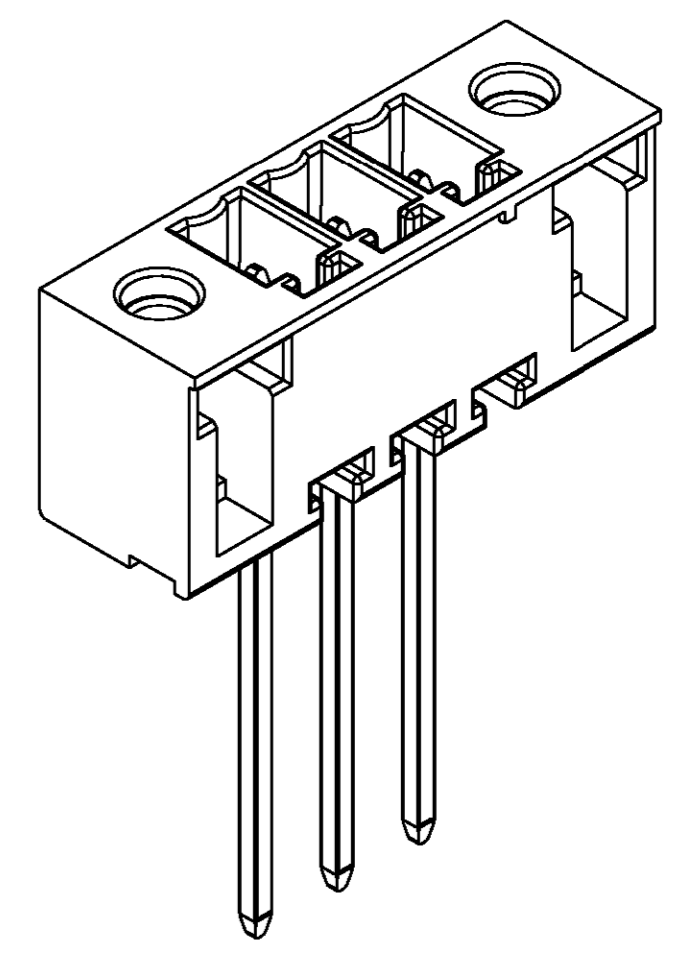
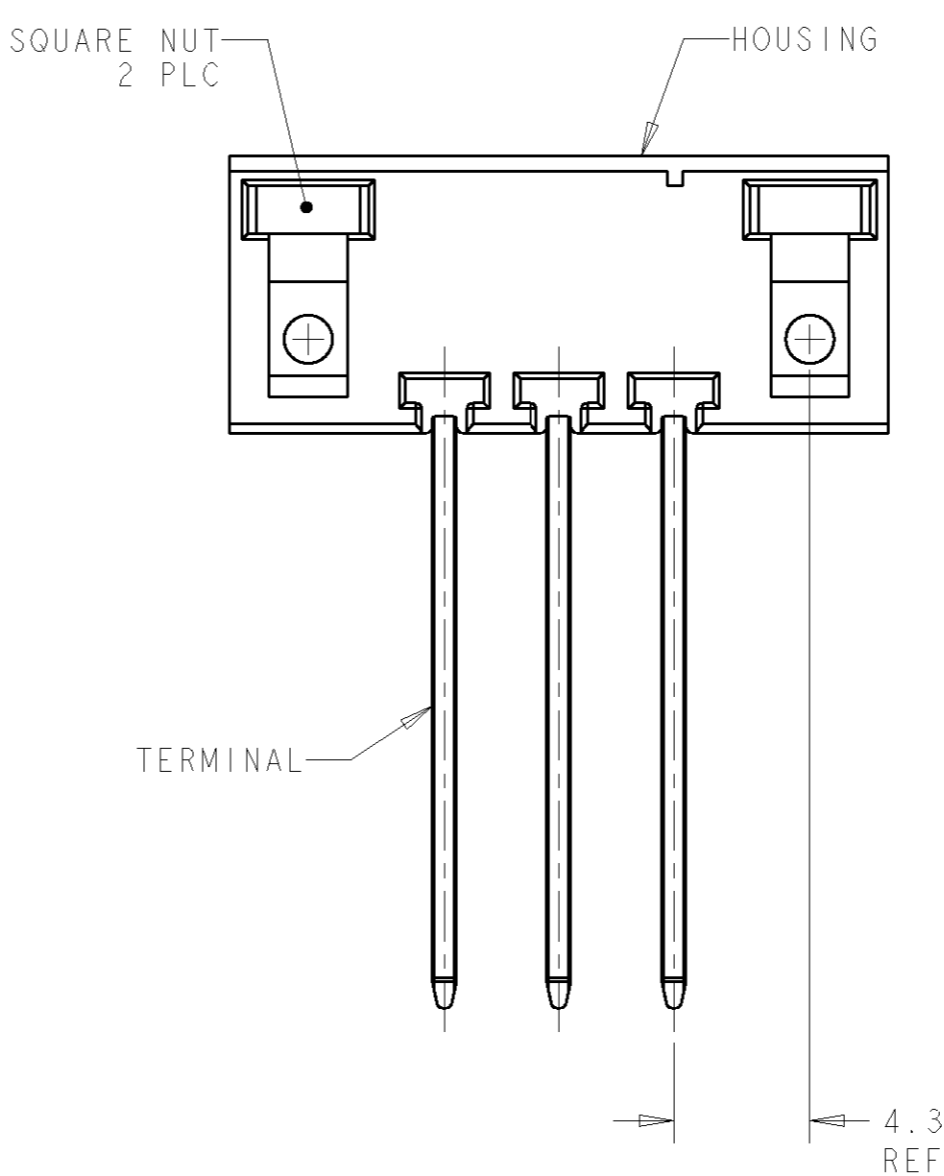
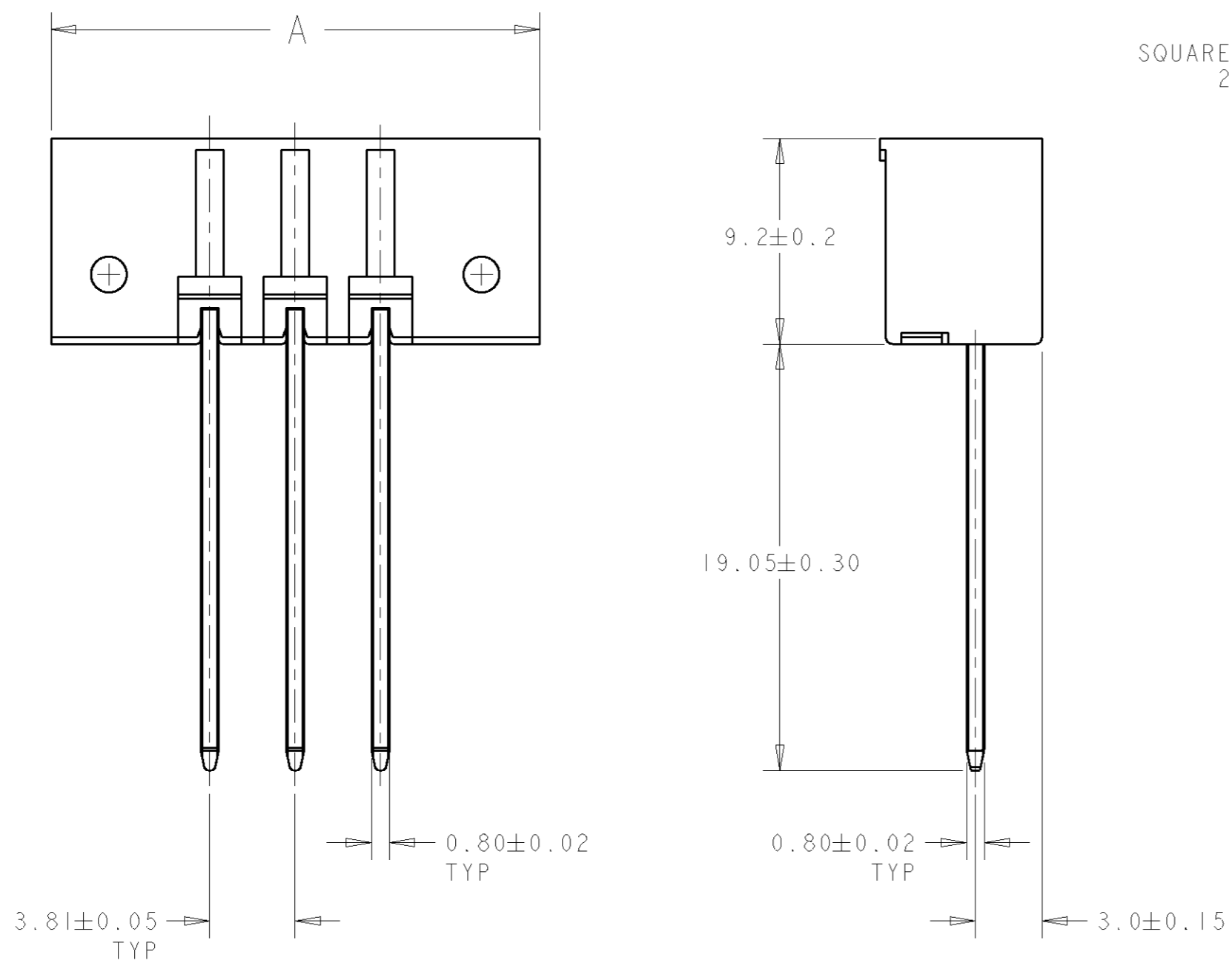
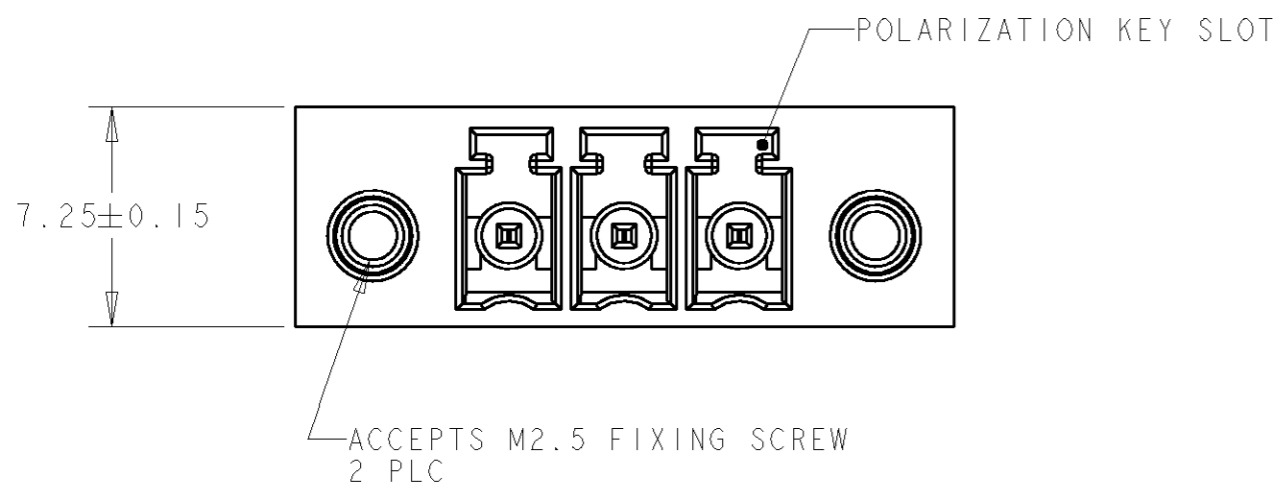


THIS DRAWING IS UNPUBLISHED. RELEASED FOR PUBLICATION 20  
 © COPYRIGHT 20 BY TYCO ELECTRONICS CORPORATION. ALL RIGHTS RESERVED.

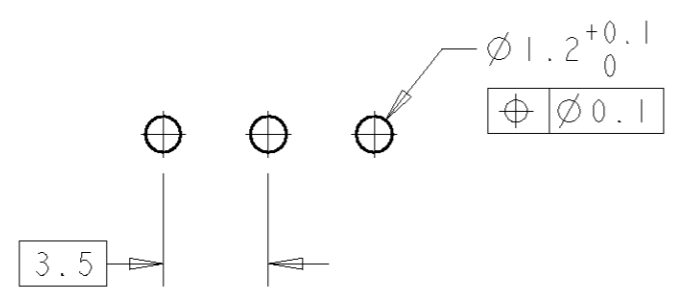
LOC	DIST	REVISIONS					
FT	0	P	LTR	DESCRIPTION	DATE	DWN	APVD
		0		PRELIMINARY	12JUL2004	SW	CR



1776106-3 AS SHOWN



1. MATERIALS AND FINISH  
 HOUSING: PA 6.6, UL 94-V0, COLOR GREEN  
 TERMINAL: PHOSPHOR BRONZE, TIN PLATED
2. CONNECTOR ASSEMBLY INCLUDES 2 SQUARE NUTS LOADED IN CAVITY
3. SUITABLE FOR 1.6-2.4 mm. PC BOARD THICKNESS



RECOMMENED PC BOARD LAYOUT

56.30	14	1-1776106-4
34.80	7	1776106-7
31.30	6	1776106-6
24.30	4	1776106-4
20.80	3	1776106-3
17.30	2	1776106-2
A	NO OF POSN	PART NUMBER

THIS DRAWING IS A CONTROLLED DOCUMENT FOR TYCO ELECTRONICS CORPORATION IT IS SUBJECT TO CHANGE AND THE CONTROLLING ENGINEERING ORGANIZATION SHOULD BE CONTACTED FOR THE LATEST REVISION.		DWN S. WELDON 09 JUL 2004	<b>BUCHANAN</b> Tyco Electronics Harrisburg, PA 17105-3608
DIMENSIONS: mm		CHK C. RICHARD 12 JUL 2004	
TOLERANCES UNLESS OTHERWISE SPECIFIED:		APVD C. RICHARD 12 JUL 2004	
0 PLC ± 1 PLC ±.3 2 PLC ±.25 3 PLC ± 4 PLC ± ANGLES ±2 FINISH		PRODUCT SPEC 108-20166 APPLICATION SPEC 114-20079 WEIGHT -	
MATERIAL		CUSTOMER DRAWING	NAME TERMINAL BLOCK ASSEMBLY STRAIGHT, W/ THREADED FLANGE, 3.5mm PITCH SIZE A200779 CAGE CODE C-1776106 DRAWING NO 1776106 RESTRICTED TO - SCALE 4:1 SHEET 1 OF 1 REV 0