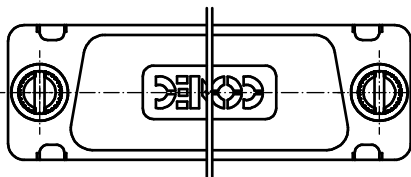
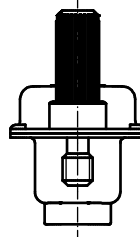
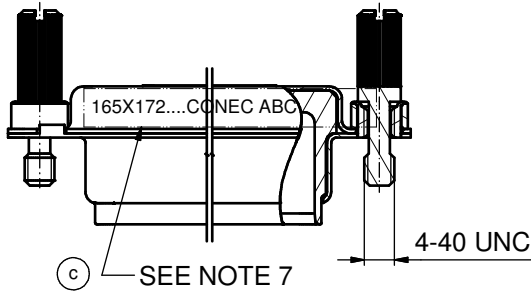
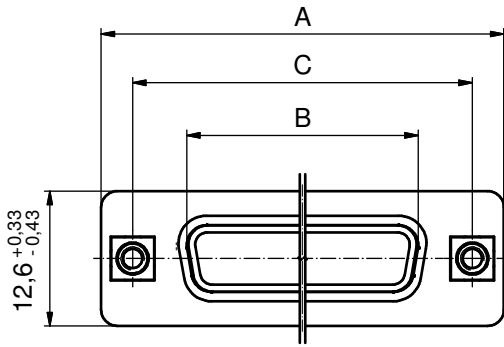
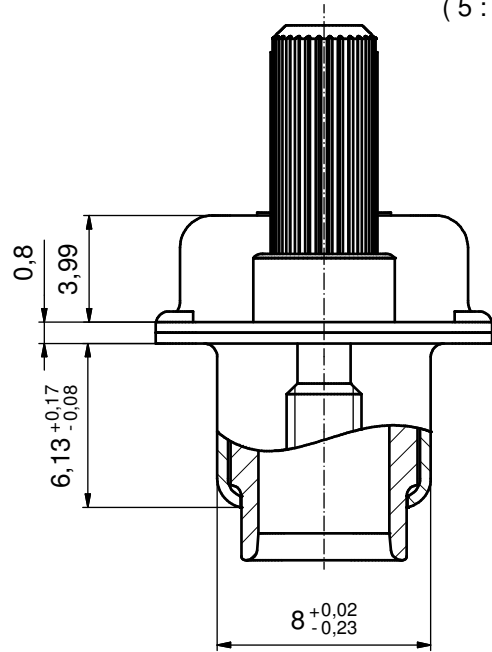


No. of pos.	A _{-0,76}	B _{+0,25}	C	Part-No.
9	31,19	16,46	25,00 ^{+0,12} _{-0,13}	165X17209X
15	39,52	24,79	33,30 ^{+0,15} _{-0,1}	165X17219X
25	53,42	38,50	47,04 ± 0,13	165X17229X
37	69,70	54,96	63,50 ± 0,13	165X17239X

(b) (c)

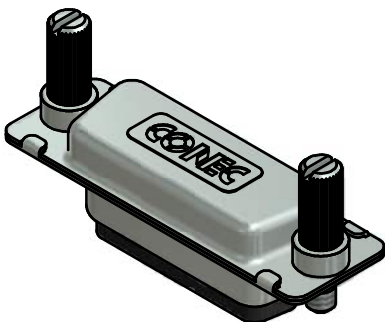
(5:1)



NOTES:

1. METALSHIELDS: COPPER ALLOY; min. 315µin TIN over 40-80µin NICKEL
2. SEALING ELEMENT: TPE
3. THREADED INSERTS: COPPER ALLOY; min. 200µin TIN over 80µin NICKEL
4. JACK SCREWS: STEEL; NICKEL PLATED
5. COLLARS: COPPER ALLOY; min. 200µin TIN over 80µin NICKEL
6. MAXIMUM TORQUE VALUE FOR THREAD: 6 in.LB

(c) 7. CONNECTOR IS PART MARKED: PART NO. CONEC ABC



Directive 2002/95/EC RoHS compliant

THIS DRAWING MAY NOT BE COPIED OR REPRODUCED IN ANY WAY, AND MAY NOT BE PASSED ON TO A THIRD PARTY WITHOUT WRITTEN PERMISSION. OWNERSHIP AND COPYRIGHT OF CONEC GmbH DO NOT ALTER CAD DRAWING BY HAND	tolerance		dim. in mm		scale:	2:1 (5:1)	
					material:	SEE NOTES	
					title:		HOOD 9-37pos.
							WATER RESISTANT AND SHIELDED; FOR EMI/RFI for plug connector, with jack screws
					dwg no:		DIN-A3
3 x c	Ä4774	31.07.2013	K.H.	d-old			
1 x b	Ä3781	21.10.2010	K.H.			sh: 1	
a	Original						
rev.	description	date	name	CONEC ®		part no: SEE TABLE	