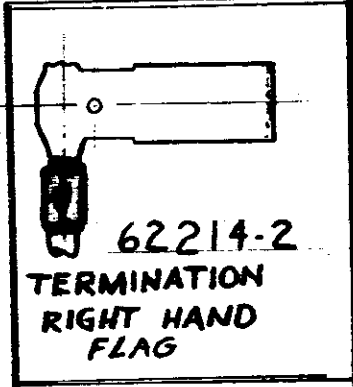
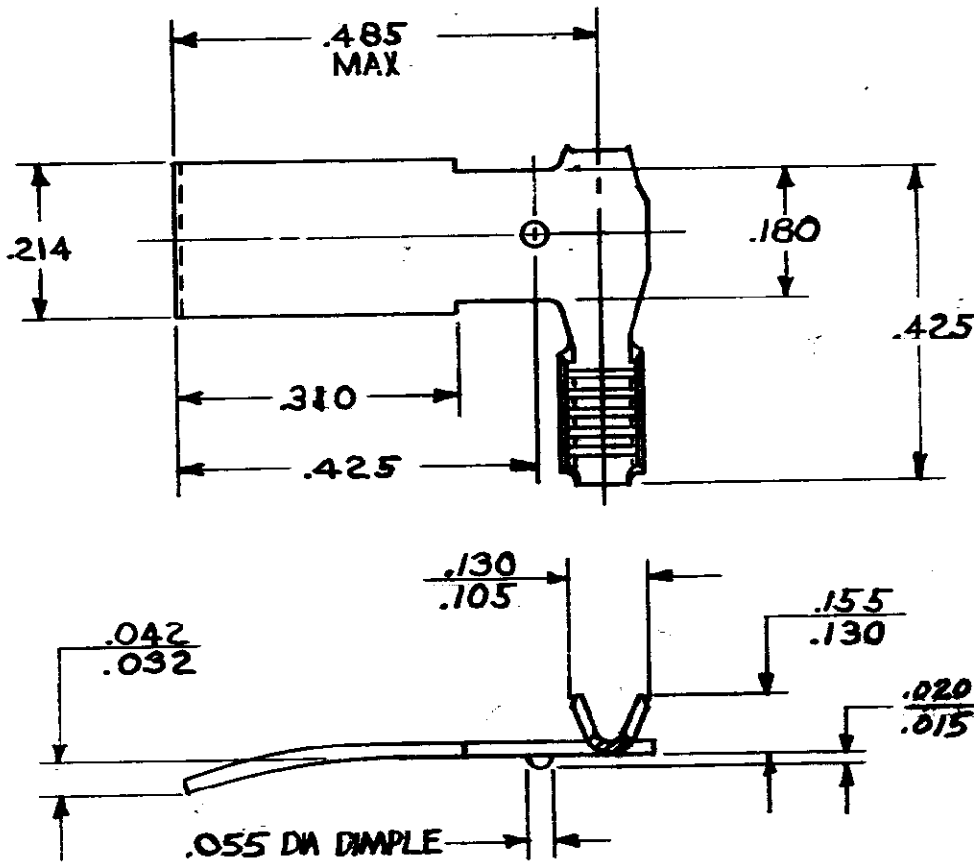


© COPYRIGHT 1974 BY AMP INCORPORATED, HARRISBURG, PA. ALL INTERNATIONAL RIGHTS RESERVED, AMP INCORPORATED PRODUCTS COVERED BY FOREIGN PATENTS AND PENDING.

REVISIONS				
LTR	DESCRIPTION	DATE	APPROVED	P F
A	REVISED PER A-2514	9-6-73		
B	RELEASED FOR PROD	2-21-74		
C	REVISED A-2869	12-4-74	<i>ELG</i>	
D	ADDED-2, WRS 87-1045-3	5-8-87	<i>MSP/69</i>	
E	REV PER AF-6779	6/1/90	<i>DKS/</i>	



CONTINUOUS STRIP ON REELS

RIGHT HAND	#22-#7	62214-2
LEFT HAND	#22-#7	62214-1
REELING	WIRE RANGE	PART NO

UNLESS OTHERWISE SPECIFIED DIMENSIONS ARE IN INCHES. TOLERANCES ON: DECIMALS ±.015 ANGLES ±1°0'

CONTRACT NO  
DR S. SCHAFFHAUSER 8-8-73  
CHK G. FERNALD 8-21-73



MATERIAL .020 PHOS BRS  
FINISH NONE

APPD  
DSGN APPD  
OTHER APPD *e.c. h...*

NAME AMPLIVAR BRUSH CONTACT

SIZE A CODE IDENT NO 00779 NUMBER 62214  
SCALE SHEET 1 of 1