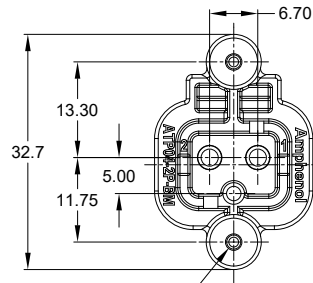
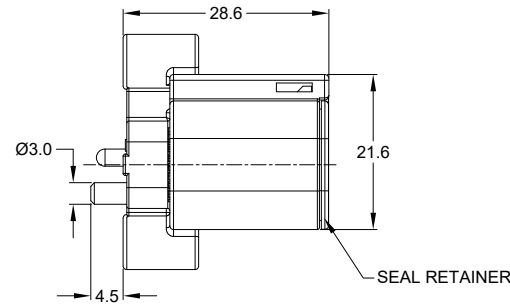
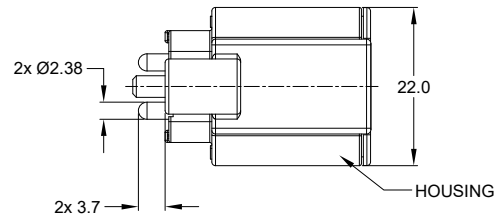
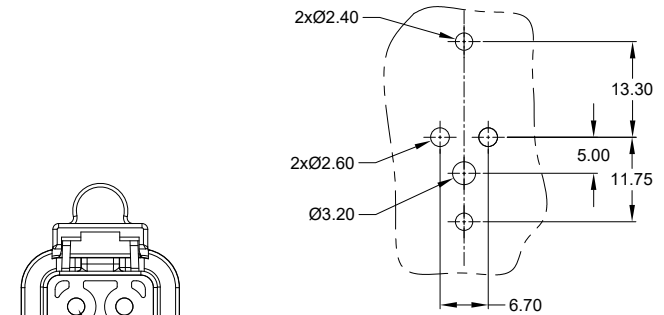


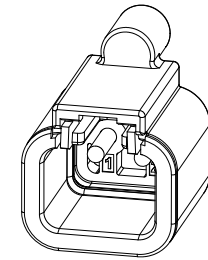
REVISIONS					
REV	ECO	DESCRIPTION	DATE	BY	APPR
A1	-	RELEASE DRAWING	27/SEP/21	IAN	TOMMY
A2	-	ADD PRODUCT NUMBER	12/OCT/21	IAN	TOMMY



2x Ø1.96x 9.0 DP
FOR ANSI SIZE #2 SCREWS
TORQUE: 2.1-3.1 IN-LB [0.24-0.35 NM]

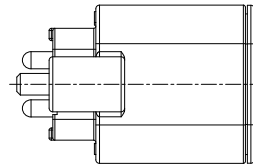


RECOMMENDED LAYOUT
VIEW FROM COMPONENTS
SIDE OF PCB
THICKNESS 1.60MM



NOTES: UNLESS OTHERWISE SPECIFIED

- MATERIAL:
HOUSING: THERMOPLASTIC, BLACK
INTERFACE SEAL: SILICONE RUBBER, RED
SEAL RETAINER: THERMOPLASTIC, BLACK
CONTACT: COPPER ALLOY
- MODIFICATIONS: PCB MOUNT, SCREW BOSS
- SPECIFICATIONS:
3.1 CURRENT RATING: 25 AMPS
3.2 OPERATING TEMPERATURE: -55°C TO +125°C
3.3 DIELECTRIC WITHSTANDING VOLTAGE: LESS THAN 2 MILLIAMPS CURRENT LEAKAGE @ 1500 VOLTS AC.
3.4 INSULATION RESISTANCE: 1000 MEGOHMS MIN @ 25°C.
3.5 MOISTURE RESISTANCE:
IP68 (IM OF WATER FOR A PERIOD OF 24 HOURS, MATED CONDITION);
IP69K (MATED CONDITION).
3.6 MATING CYCLE DURABILITY: 100 CYCLES
3.7 RoHS COMPLIANT
- MATING PART: ATP06-2S* PLUG (* = ALL MODIFICATIONS)
- ALL DIMENSIONS ARE FOR REFERENCE USE ONLY.



ATP04-2P-BM1X VARIANTS		
CONTACT PLATING	POTTING OR NOT IN RESERVOIR	PART NUMBER
GOLD	NO POTTING	ATP04-2P-BM11
GOLD	POTTING	ATP04-2P-BM12
TIN	NO POTTING	ATP04-2P-BM13
TIN	POTTING	ATP04-2P-BM14

ATP04-2P-BM1X		DESCRIPTION	ITEM														
QUANTITY	PART NUMBER	MATERIALS LIST															
UNLESS OTHERWISE SPECIFIED: 1) All dimensions are in metric (mm). 2) Tolerances are as follows: 1 PL DEC ±0.30 2 PL DEC ±0.15 3 PL DEC ±0.08 Fractions ±1/64 Angles ±1°		<table border="1"> <thead> <tr> <th>SIGNATURES</th> <th>DATE</th> </tr> </thead> <tbody> <tr> <td>DRAWN: IAN</td> <td>12/OCT/21</td> </tr> <tr> <td>CHECKED: SULLEN</td> <td>12/OCT/21</td> </tr> <tr> <td>ENGINEER:</td> <td></td> </tr> <tr> <td>APPROVAL: TOMMY</td> <td>13/OCT/21</td> </tr> </tbody> </table>		SIGNATURES	DATE	DRAWN: IAN	12/OCT/21	CHECKED: SULLEN	12/OCT/21	ENGINEER:		APPROVAL: TOMMY	13/OCT/21				
SIGNATURES	DATE																
DRAWN: IAN	12/OCT/21																
CHECKED: SULLEN	12/OCT/21																
ENGINEER:																	
APPROVAL: TOMMY	13/OCT/21																
MATERIAL SPECIFICATIONS:		<p>Amphenol</p> <p>Sine Systems - www.amphenol-sine.com 44724 Morley Drive Clinton Township, MI 48036</p>															
PROCESS SPECIFICATIONS:		<p>2 POSITION, PCB MOUNT RECEPTACLE, PINS, BOARDLOCK, ATP, STRAIGHT, SCREW BOSS</p>															
NEXT ASSY:		<table border="1"> <tr> <td>SIZE</td> <td>TYPE</td> <td>DWG NO</td> <td>REVISION</td> </tr> <tr> <td>B</td> <td>C-</td> <td>ATP04-2P-BM1X</td> <td>A2</td> </tr> </table>	SIZE	TYPE	DWG NO	REVISION	B	C-	ATP04-2P-BM1X	A2	<table border="1"> <tr> <td>SCALE</td> <td>NONE</td> <td>SHEET</td> <td>1</td> <td>OF</td> <td>1</td> </tr> </table>	SCALE	NONE	SHEET	1	OF	1
SIZE	TYPE	DWG NO	REVISION														
B	C-	ATP04-2P-BM1X	A2														
SCALE	NONE	SHEET	1	OF	1												

TITLE: 2POS PCB RECEPT PINS BOARDLOCK ATP STRAIGHT SCREW BOSS
DWG NO: ATP04-2P-BM1X
REV: A2
SH: 1
OF: 1