

Grove - 3-Axis Digital Accelerometer $\pm 40g$ (ADXL357)

SKU 101020639

The Grove - 3-Axis Digital Accelerometer $\pm 40g$ (ADXL357) is a digital output MEMS Accelerometer. This sensor has three different selectable measuring ranges and accuracies: $\pm 10g@51200$ LSB/g, $\pm 20g@25600$ LSB/g, $\pm 40g@12800$ LSB/g.

You can find a variety of [3-axis accelerometers](#) on our website that can meet different scenarios and needs. This time, we bring you the industrial grade, high stability, high precision, and low power ADI ADXL series three-axis accelerometers.

The Grove - 3-Axis Digital Accelerometer $\pm 40g$ (ADXL357) is a digital output [MEMS](#) Accelerometer. This sensor has three different selectable measuring ranges and accuracies: $\pm 10g@51200$ LSB/g, $\pm 20g@25600$ LSB/g, $\pm 40g@12800$ LSB/g. You just need to do little calibration work to get a relatively accurate result. It output all the data via grove I2C port, and the I2C address is also selectable. What's more, we also provide two interrupt output pins which can be configured into 4 modes.

The ADI ADXL Series Accelerometer includes four products that will meet your different range and output needs:

Product	Measurement Range	Output Port	Power Consumption
Grove - 3-Axis Analog Accelerometer $\pm 20g$ (ADXL356B)	± 10 $\pm 20g$	Analog	measurement mode: $150 \mu A$ standby mode: $21 \mu A$
Grove - 3-Axis Analog Accelerometer $\pm 40g$ (ADXL356C)	$\pm 10g$ $\pm 40g$	Analog	measurement mode: $150 \mu A$ standby mode: $21 \mu A$
Grove - 3-Axis Digital Accelerometer $\pm 40g$ (ADXL357)	$\pm 10g@51200$ LSB/g $\pm 20g@25600$ LSB/g $\pm 40g@12800$ LSB/g	Digital I2C	measurement mode: $200\mu A$
Grove - 3-Axis Digital Accelerometer $\pm 200g$ (ADXL372)	$\pm 200g$	Digital I2C	measurement mode: $22\mu A$

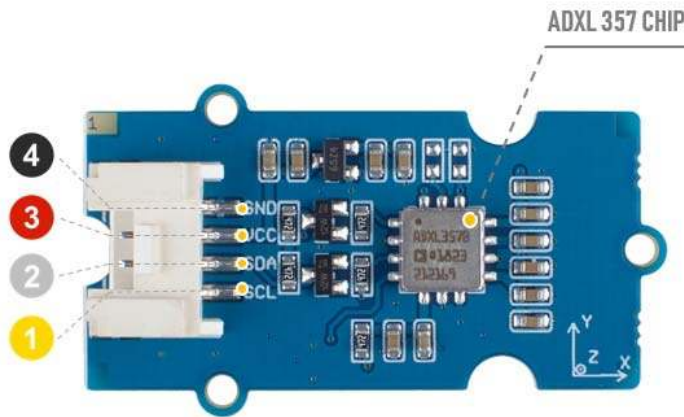
Features

- Industry leading noise, minimal offset drift over temperature, and long-term stability, enabling precision applications with minimal calibration.
- Hermetic package offers excellent long-term stability 0 g offset vs. temperature (all axes): $0.75 \text{ mg}/^\circ\text{C}$ maximum
- Ultralow noise density (all axes): $80 \mu\text{g}/\sqrt{\text{Hz}}$
- Build-in 20-bit analog-to-digital converter (ADC)
- Low drift, low noise, and low power
- Support two channel interrupt output
- Support FIFO(96*21-bit)

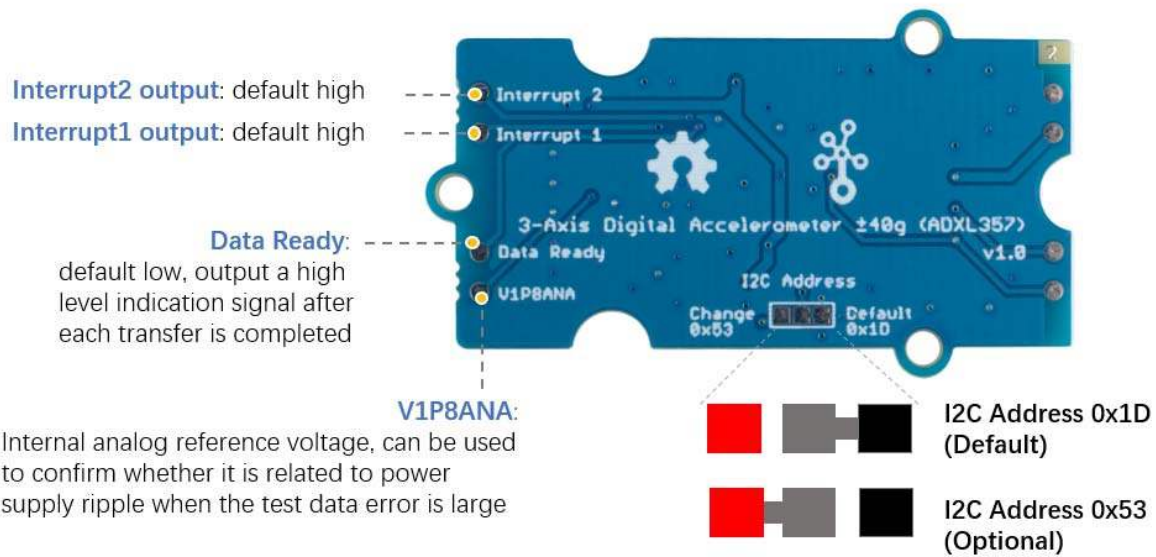
Applications

- Inertial measurement units (IMUs)/altitude and heading reference systems (AHRs)
- Platform stabilization systems
- Condition monitoring
- Seismic imaging
- Tilt sensing
- Robotics

Pinout



- 4 GND:**
connect this module to the system GND
- 3 VCC:**
you can use 5V or 3.3V for this module
- 2 SDA:**
I²C serial data
- 1 SCL:**
I²C serial clock



ECCN/HTS

ECCN	7A994
HSCODE	9031900090
UPC	

