

PART NAME: KNOB SCALE: 1:1 DATE: 1/3/79 DR. BY HD

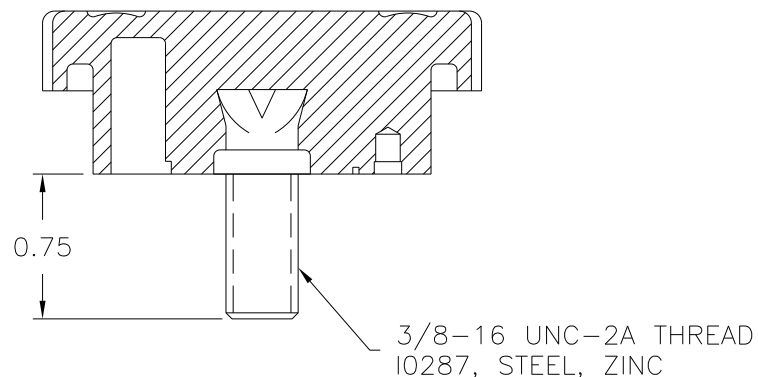
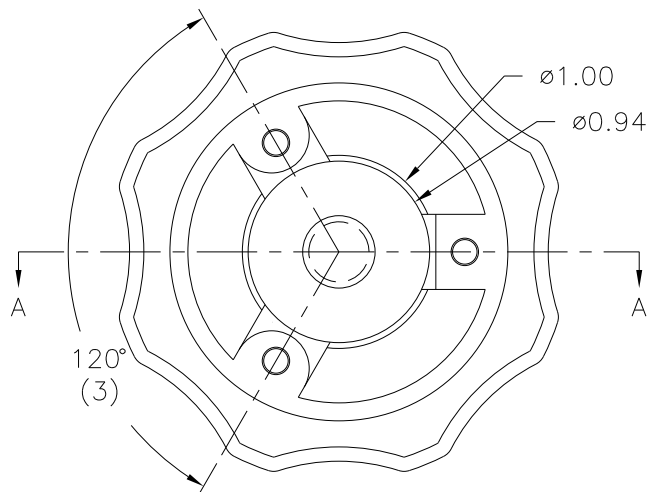
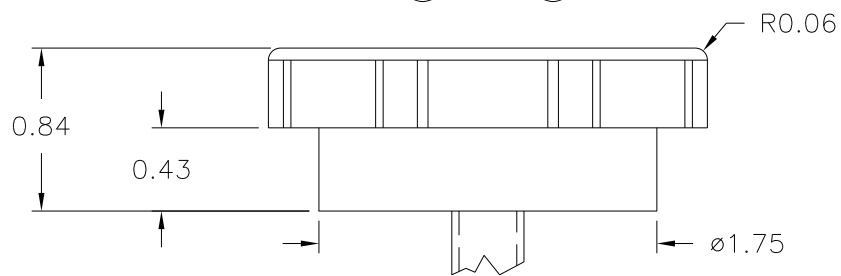
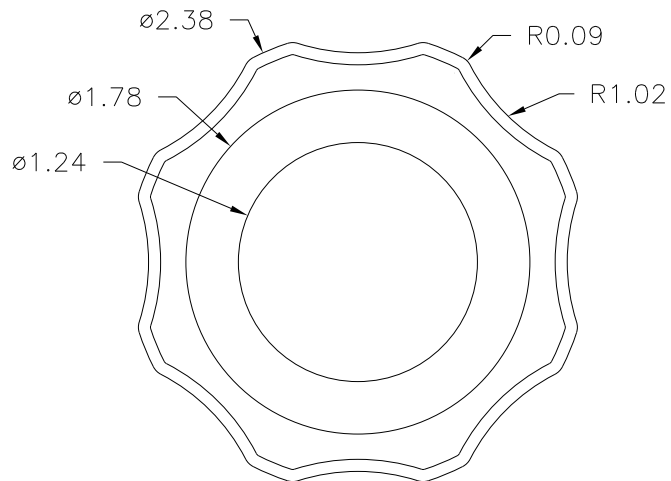
THIS DRAWING IS THE PROPERTY OF DAVIES MOLDING COMPANY, IS SUBMITTED SOLELY AS A DESIGN OR ENGINEERING PROJECT. WE ACCEPT NO RESPONSIBILITY WHATSOEVER FOR THE PRACTICAL APPLICATION OF THE PIECES MADE TO THIS DESIGN.



DESIGNERS & MANUFACTURERS OF KNOBS, HANDLES, CASES & CUSTOM PLASTIC COMPONENTS

P/N 4103HJ

M <sup>NO.</sup>	4103
PLUNGER	4103
CAVITY	4103
CAVITY PLUG	4103
CAVITY PLUG PIN	LONG(1.183)
PIN	4103-N
INSERT	I0287



SECTION A-A

MATERIAL: G.P. PHENOLIC (B11)  
COLOR: BLACK

TOLERANCES: UNLESS OTHERWISE SPECIFIED	DO NOT SCALE DRAWING		
DECIMALS: X.XXX ± .005 X.XX ± .015	MM: X.XX ± 0.15MM X.X ± 0.4MM	- REDRAW	JAM 5/23/02
FRACTIONS ± 1/64	ANG. ± 1°	- CAD REDRAW	HD 9/12/97
CHANGES			