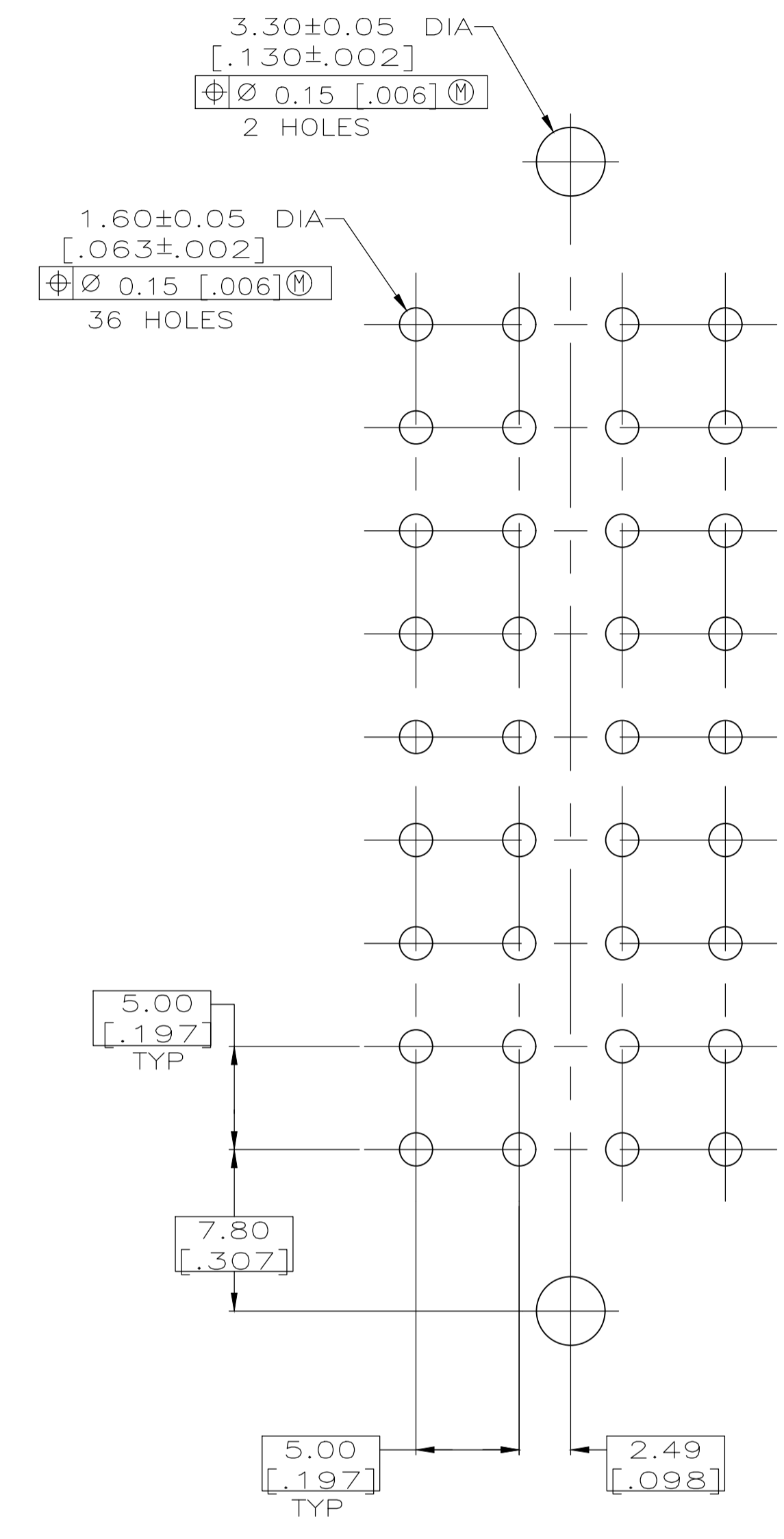
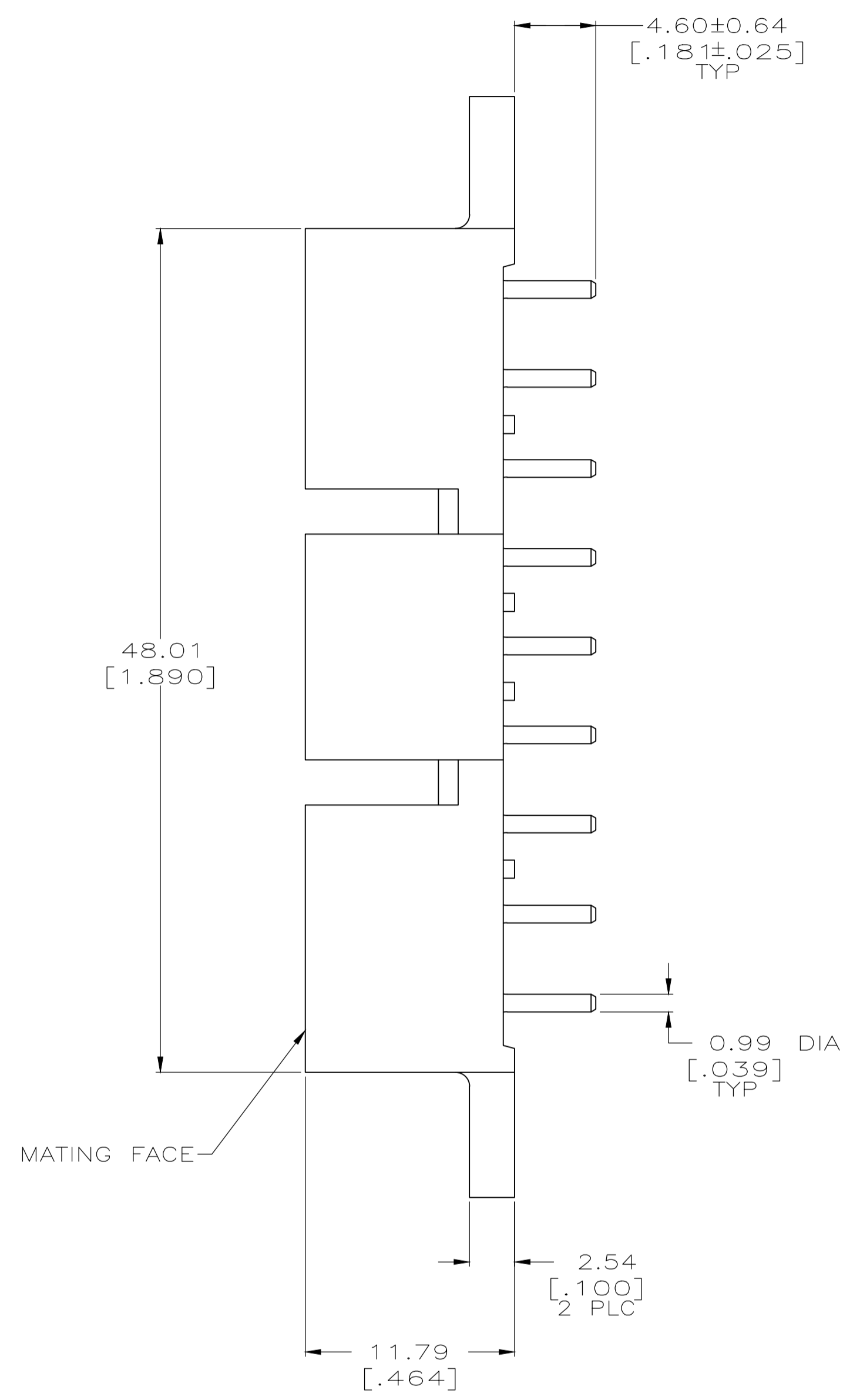
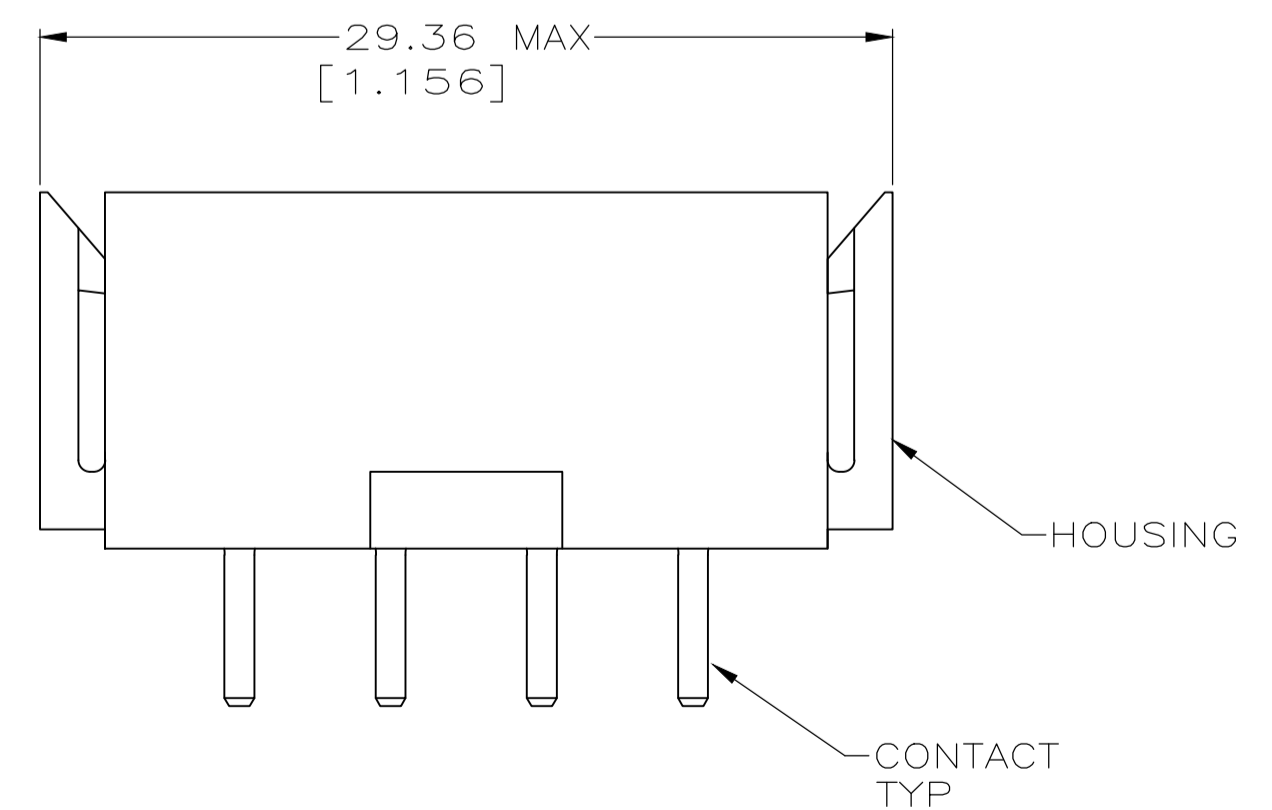
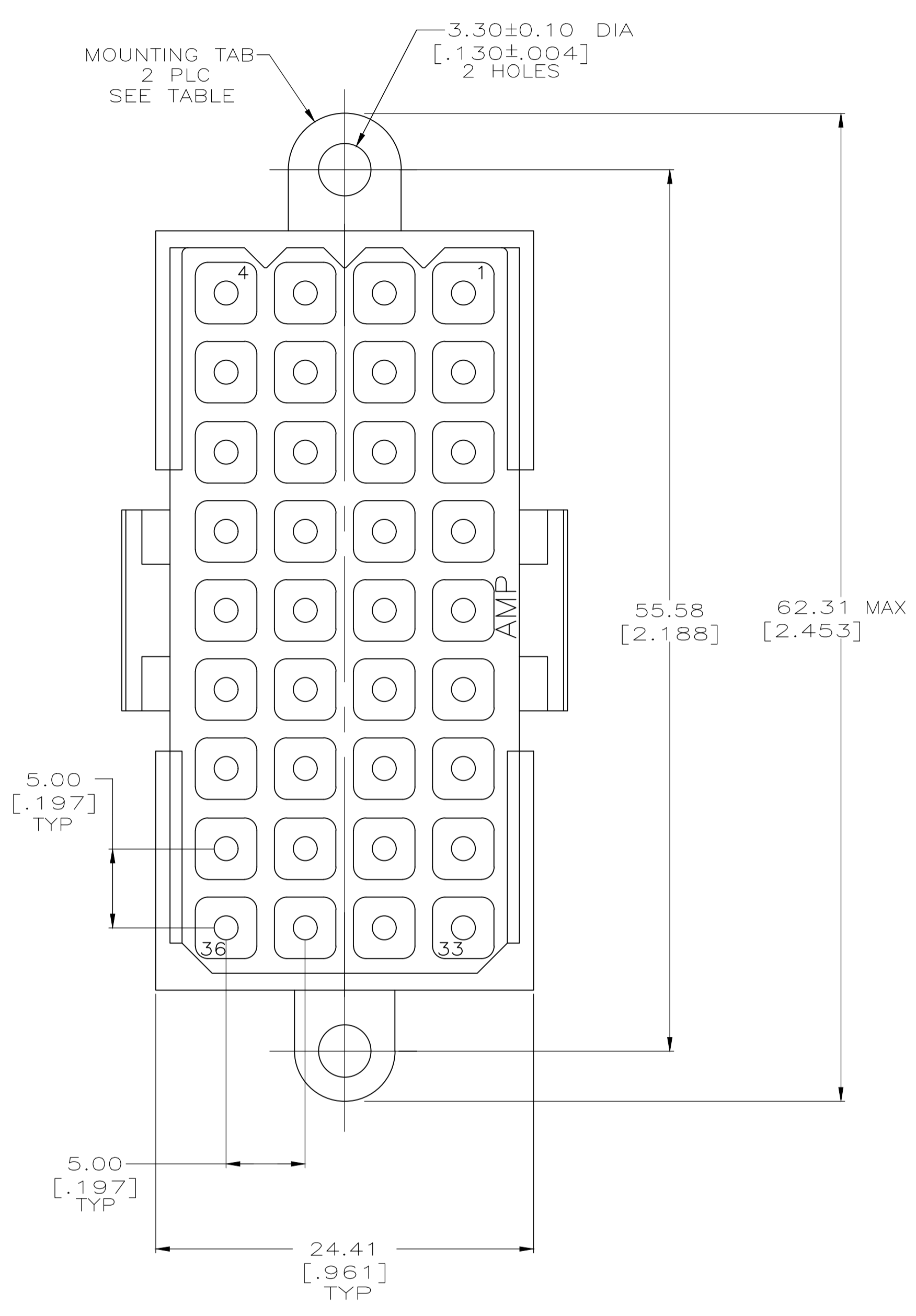


REVISIONS					
REV	DATE	DESCRIPTION	BY	CHK	APPV
Z	24JAN2018	REVISED PER ECO-12-007055	RS		MZ
AA	13FEB2020	REVISED PER ECO-20-002045	RK		MZ



RECOMMENDED PC BOARD LAYOUT

- ① HOUSING MATERIAL: PA66, BLACK, UL 94 V-0 RATED.
- ② CONTACT MATERIAL: BRASS PER ASTM B36.
- ③ 3.81um [.000150] MIN TIN OVER 2.54um [.000100] MIN COPPER.
- ④ 0.76um [.000030] MIN GOLD FOR A LENGTH OF 5.08 [.200] FROM MATING END, 3.81um [.000150] MIN TIN-LEAD FOR A LENGTH OF 4.83 [.190] MIN FROM OPPOSITE END, BOTH OVER 1.27um [.000050] MIN NICKEL.
- ⑤ .000150 MIN TIN OVER .000100 MIN CU, OR .000050 MIN NICKEL.
- ⑥ 0.76um [.000030] MIN GOLD FOR A LENGTH OF 5.08 [.200] FROM MATING END, 3.81um [.000150] MIN TIN FOR A LENGTH OF 4.83 [.190] MIN FROM OPPOSITE END, BOTH OVER 1.27um [.000050] MIN NICKEL.

REV	DATE	DESCRIPTION	BY	CHK	APPV
6		NO			1-207121-0
6		YES			207121-9
5		YES			207121-8
4		NO			207121-4
4		YES			207121-3
3		NO			207121-2
3		YES			207121-1

THIS DRAWING IS A CONTROLLED DOCUMENT.

DIMENSIONS: INCHES	TOLERANCES UNLESS OTHERWISE SPECIFIED:	DIN L/SIPE	03/12/92
0 PLC ± -	1 PLC ± -	CHK R.STONE	3-17-92
2 PLC ± -	3 PLC ± 0.13 [.005]	APVD A. TRAVIS	3-17-92
4 PLC ± -	ANGLES ± -	NAME	
MATERIAL	FINISH CONTACT: SEE TABLE	PRODUCT SPEC	108-10033
		APPLICATION SPEC	
		SIZE	A1
		WEIGHT	000779
		DRAWING NO	207121
		CUSTOMER DRAWING	SCALE 4:1

STE TE Connectivity Ltd.

PIN HEADER ASSEMBLY, 36 POSITION, METRIMATE

RESTRICTED TO

SHEET 1 OF 1 REV AA