

THIS DRAWING IS UNPUBLISHED.

RELEASED FOR PUBLICATION

2003

© COPYRIGHT 2003-2013

ALL RIGHTS RESERVED.

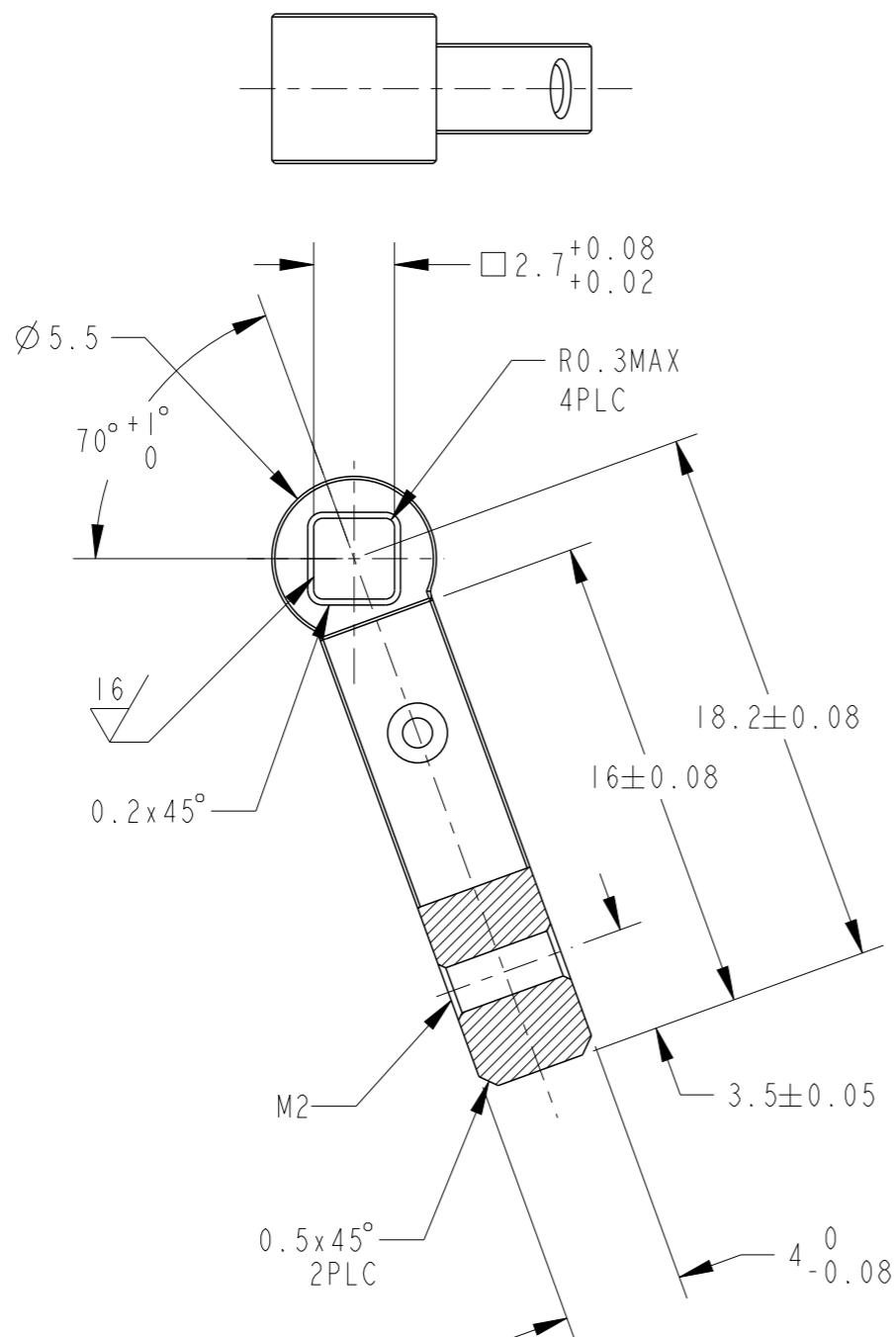
LOC  
J

DIST  
-


REVISIONS

P	LTR	DESCRIPTION	DATE	DWN	APVD
	B2	REVISED	16MAY2013	T. K	M. K

-1:AS SHOWN  
本図



RoHS COMPLIANT

THIS DRAWING IS A CONTROLLED DOCUMENT.		DWN M. Kimura 14DEC2002	 <b>TE Connectivity</b>																
DIMENSIONS: mm		CHK Y. KASHIWA 16DEC2002																	
TOLERANCES UNLESS OTHERWISE SPECIFIED:		APVD Y. KASHIWA 16DEC2002	NAME LEVER TC-ZIF CONNECTOR																
<table border="0"> <tr><td>0 PLC</td><td><math>\pm 0.25</math></td></tr> <tr><td>1 PLC</td><td><math>\pm 0.2</math></td></tr> <tr><td>2 PLC</td><td><math>\pm 0.15</math></td></tr> <tr><td>3 PLC</td><td><math>\pm</math></td></tr> <tr><td>4 PLC</td><td><math>\pm</math></td></tr> <tr><td>ANGLES</td><td><math>\pm 3</math></td></tr> <tr><td>FINISH</td><td>NONE</td></tr> </table>		0 PLC	$\pm 0.25$	1 PLC	$\pm 0.2$	2 PLC	$\pm 0.15$	3 PLC	$\pm$	4 PLC	$\pm$	ANGLES	$\pm 3$	FINISH	NONE	PRODUCT SPEC 108-5771	RESTRICTED TO		
0 PLC	$\pm 0.25$																		
1 PLC	$\pm 0.2$																		
2 PLC	$\pm 0.15$																		
3 PLC	$\pm$																		
4 PLC	$\pm$																		
ANGLES	$\pm 3$																		
FINISH	NONE																		
MATERIAL SUS304L OR SUS316		APPLICATION SPEC -	SIZE A3	CAGE CODE	DRAWING NO C-1674569														
		WEIGHT 1.9g	SCALE 4:1																
		CUSTOMER DRAWING	SHEET 1 OF 1 REV B2																