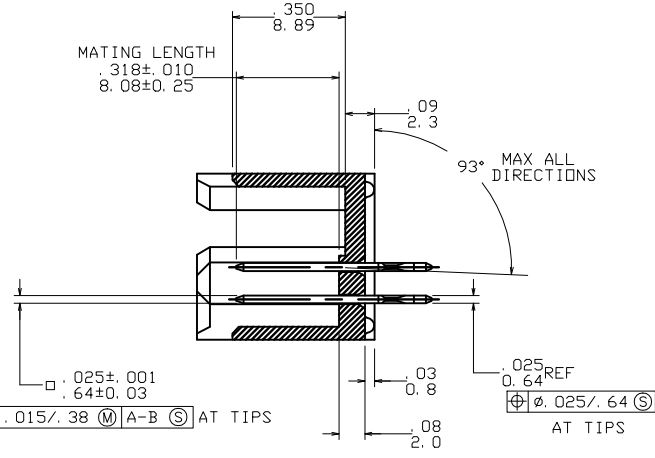
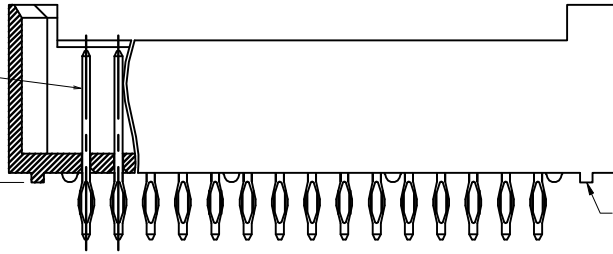
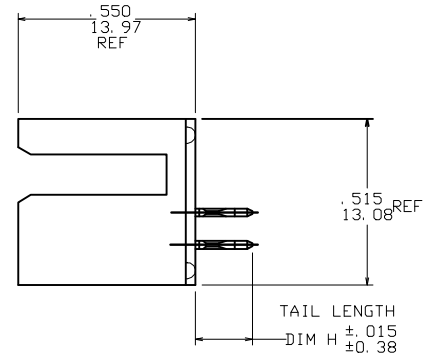
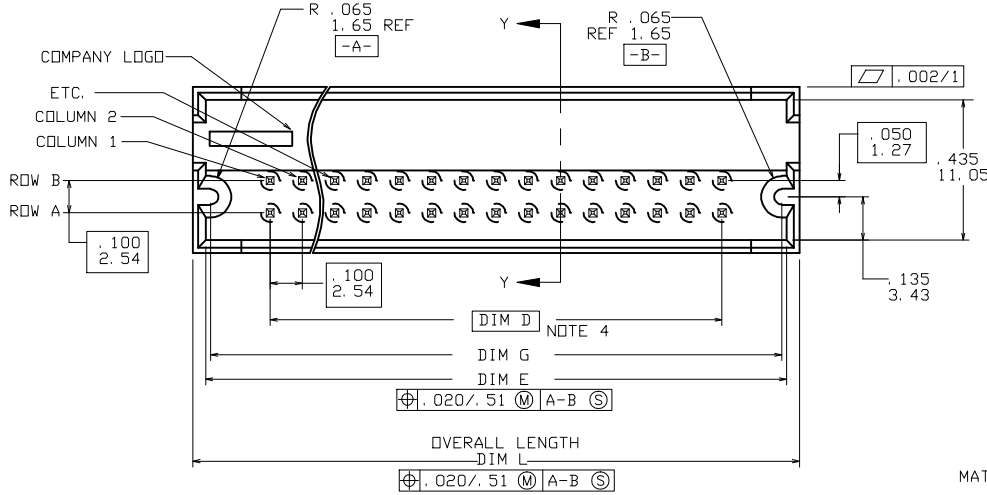


PRODUCT NUMBER
SEE TABLE



SECTION Y-Y

mat'l. code		surface ISO 1302		tolerance ISO 406 ISO 1101		projection		product family	
ISO 1902		✓		ISO 406 ISO 1101		INCH/MM		HEADERS	
lir		ecr no		dr		date		title	
N		V20311		JWB		3/16/92		VERTICAL 2-ROW GUIDE PIN	
P		V41750		IMDF		11/15/94		(SLOTTED) HEADER-PRESS FIT TAILS	
R		V50831		HTB		6/12/95		scale 2:1	
S		V71449		HTB		10/7/97		dwg no	
T		M05-0089		MHT		5/19/05		sheet 1 of 3 size	
U		M07-0116		AGS		2/19/07		67289	
V		M09-0059		MHT		4/16/09		A3	
sheet		revision		V		V		type	
index		sheet		1		2		Product Customer Drawing	

PRODUCT NUMBER NOTE 5, 7	SIZE NOTE 5	TAIL LENGTH DIM H	DIM D	DIM G	DIM E	OVERALL LENGTH DIM L	PLATING NOTE 11
67289-XXX	2 x XXX	.177/4.50	NOTE 4	.37/9.4+D DIM	.40/10.2+D DIM	.48/12.2+D DIM	30u"/.76u MIN Au OVER 50u"/1.27u Ni
67290-XXX		.177/4.50					15u"/.38u MIN Au OVER 50u"/1.27u Ni
67291-XXX		.177/4.50					GOLD FLASH OVER 50u"/1.27u Ni
67292-XXX		.177/4.50					120u"/3.05u 93/7 Sn/Pb OVER 50u"/1.27u Ni
67958-XXX		.310/7.90					30u"/.76u MIN Au OVER 50u"/1.27u Ni
67961-XXX		.310/7.90					15u"/.38u MIN Au OVER 50u"/1.27u Ni
68251-XXX		.680/17.30					30u"/.76u MIN Au OVER 50u"/1.27u Ni
68509-XXX		.480/12.20					30u"/.76u MIN Au OVER 50u"/1.27u Ni
68521-XXX		.480/12.20					30u"/.76u MIN GXT™ OVER 50u"/1.27u Ni
68830-XXX		.680/17.30					15u"/.38u MIN Au OVER 50u"/1.27u Ni
68831-XXX		.480/12.20					15u"/.38u MIN Au OVER 50u"/1.27u Ni
68832-XXX		.310/7.90					15u"/.38u MIN GXT™ OVER 50u"/1.27u Ni
68833-XXX		.310/7.90					30u"/.76u MIN GXT™ OVER 50u"/1.27u Ni
68834-XXX		.177/4.50					15u"/.38u MIN GXT™ OVER 50u"/1.27u Ni
68835-XXX		.177/4.50					30u"/.76u MIN GXT™ OVER 50u"/1.27u Ni
68836-XXX		.680/17.30					30u"/.76u MIN GXT™ OVER 50u"/1.27u Ni
68837-XXX		.680/17.30					15u"/.38u MIN GXT™ OVER 50u"/1.27u Ni
68838-XXX		.480/12.20					15u"/.38u MIN GXT™ OVER 50u"/1.27u Ni
69275-XXX		.310/7.90					GOLD FLASH OVER 50u"/1.27u Ni
69276-XXX		.310/7.90					120u"/3.05u 93/7 Sn/Pb OVER 50u"/1.27u Ni
69277-XXX		.480/12.20					GOLD FLASH OVER 50u"/1.27u Ni
69278-XXX		.480/12.20					120u"/3.05u 93/7 Sn/Pb OVER 50u"/1.27u Ni
69279-XXX		.680/17.30					GOLD FLASH OVER 50u"/1.27u Ni
69280-XXX		.680/17.30					120u"/3.05u 93/7 Sn/Pb OVER 50u"/1.27u Ni
69283-XXX		.177/4.50					DUPLEX 15u"/.38u Au & 100u"/1.27u 60/40 SnPb OVER 50u"/1.27u Ni
69284-XXX		.177/4.50					DUPLEX 30u"/.76u Au & 100u"/1.27u 60/40 SnPb OVER 50u"/1.27u Ni
69285-XXX		.310/7.90					DUPLEX 15u"/.38u Au & 100u"/1.27u 60/40 SnPb OVER 50u"/1.27u Ni
69286-XXX		.310/7.90					DUPLEX 30u"/.76u Au & 100u"/1.27u 60/40 SnPb OVER 50u"/1.27u Ni
69287-XXX		.480/12.20					DUPLEX 15u"/.38u Au & 100u"/1.27u 60/40 SnPb OVER 50u"/1.27u Ni
69288-XXX		.480/12.20					DUPLEX 30u"/.76u Au & 100u"/1.27u 60/40 SnPb OVER 50u"/1.27u Ni
69289-XXX		.680/17.30					DUPLEX 15u"/.38u Au & 100u"/1.27u 60/40 SnPb OVER 50u"/1.27u Ni
69290-XXX	2 x XXX	.680/17.30	NOTE 4	.37/9.4+D DIM	.40/10.2+D DIM	.48/12.2+D DIM	DUPLEX 30u"/.76u Au & 100u"/1.27u 60/40 SnPb OVER 50u"/1.27u Ni

NOTES:

- ① MOLDING MATERIAL: HI-TEMP RESIN
PER UL 94V-0
COLOR: NATURAL
- ② TERMINAL MATERIAL: 3/4 HARD PHOS BRONZE
UNS C5100.
- 3. PIN RETENTION TO BE 3 LBS/1.36 KG
MIN PER PIN IN EITHER DIRECTION.
- ④ DIM D =(NO. OF COLUMNS-1)TIMES .100/2.54
- ⑤ -XXX REPRESENTS NO. OF COLUMNS
(i.e. 2X5 PART IS -005)
-001 THRU -004 ARE NOT AVAILABLE
-005 THRU -050 ARE AVAILABLE
- ⑥ FLATNESS IS MEASURED FROM THE BOTTOM
OF THE END STANDOFFS.
- ⑦ ADD "LF" SUFFIX AT THE END OF PART NUMBER FOR LEAD FREE OPTION.
- ⑧ IF "LF" P/N THE PRODUCT MEETS EUROPEAN UNION
DIRECTIVES AND OTHER COUNTRY REGULATION AS
DESCRIBED IN GS-22-008.
- ⑩ THE PRODUCT IS NOT INTENDED TO BE EXPOSED
TO A MANUFACTURING SOLDER PROCESS.
- ⑪ PLATING OPTIONS:
MAY BE EITHER GOLD OR GXT PLATED AT MANUFACTURER'S OPTION.

mat'l. code		surface ISO 1302	tolerance ISO 406 ISO 1101	projection	product family HEADERS
ltr	ecn no	dr	date	title	
v				VERTICAL 2-ROW GUIDE PIN (SLOTTED) HEADER-PRESS FIT TAILS	
				INCH/MM	scale 2:1
				dwg no 67289 sheet 2 of 3 size A3	
				type Product Customer Drawing	
dr	M. FETROW	11/14/94			
engr	L. FYE	11/14/94			
chr	L. FYE	11/14/94			
appd	L. FYE	11/14/94			
sheet	revision				
index	sheet				

PRODUCT NUMBER NOTE 5, 7	SIZE NOTE 5	TAIL LENGTH DIM H	DIM D	DIM G	DIM E	OVERALL LENGTH DIM L	PLATING NOTE 11
67289-XXXLF	2 x XXX	.177/4.50	NOTE 4	.37/9.4+D DIM	.40/10.2+D DIM	.48/12.2+D DIM	30u"/.76u MIN Au OVER 50u"/1.27u Ni
67290-XXXLF		.177/4.50					15u"/.38u MIN Au OVER 50u"/1.27u Ni
67291-XXXLF		.177/4.50					GOLD FLASH OVER 50u"/1.27u Ni
67292-XXXLF		.177/4.50					100u"/2.54u Sn OVER 50u"/1.27u Ni
67958-XXXLF		.310/7.90					30u"/.76u MIN Au OVER 50u"/1.27u Ni
67961-XXXLF		.310/7.90					15u"/.38u MIN Au OVER 50u"/1.27u Ni
68251-XXXLF		.680/17.30					30u"/.76u MIN Au OVER 50u"/1.27u Ni
68509-XXXLF		.480/12.20					30u"/.76u MIN Au OVER 50u"/1.27u Ni
68521-XXXLF		.480/12.20					30u"/.76u MIN GXT™ OVER 50u"/1.27u Ni
68830-XXXLF		.680/17.30					15u"/.38u MIN Au OVER 50u"/1.27u Ni
68831-XXXLF		.480/12.20					15u"/.38u MIN Au OVER 50u"/1.27u Ni
68832-XXXLF		.310/7.90					15u"/.38u MIN GXT™ OVER 50u"/1.27u Ni
68833-XXXLF		.310/7.90					30u"/.76u MIN GXT™ OVER 50u"/1.27u Ni
68834-XXXLF		.177/4.50					15u"/.38u MIN GXT™ OVER 50u"/1.27u Ni
68835-XXXLF		.177/4.50					30u"/.76u MIN GXT™ OVER 50u"/1.27u Ni
68836-XXXLF		.680/17.30					30u"/.76u MIN GXT™ OVER 50u"/1.27u Ni
68837-XXXLF		.680/17.30					15u"/.38u MIN GXT™ OVER 50u"/1.27u Ni
68838-XXXLF		.480/12.20					15u"/.38u MIN GXT™ OVER 50u"/1.27u Ni
69275-XXXLF		.310/7.90					GOLD FLASH OVER 50u"/1.27u Ni
69276-XXXLF		.310/7.90					100u"/2.54u Sn OVER 50u"/1.27u Ni
69277-XXXLF		.480/12.20					GOLD FLASH OVER 50u"/1.27u Ni
69278-XXXLF		.480/12.20					100u"/2.54u Sn OVER 50u"/1.27u Ni
69279-XXXLF		.680/17.30					GOLD FLASH OVER 50u"/1.27u Ni
69280-XXXLF		.680/17.30					100u"/2.54u Sn OVER 50u"/1.27u Ni
69283-XXXLF		.177/4.50					DUPLEX 15u"/.38u Au & 100u"/2.54u Sn OVER 50u"/1.27u Ni
69284-XXXLF		.177/4.50					DUPLEX 30u"/.76u Au & 100u"/2.54u Sn OVER 50u"/1.27u Ni
69285-XXXLF		.310/7.90					DUPLEX 15u"/.38u Au & 100u"/2.54u Sn OVER 50u"/1.27u Ni
69286-XXXLF		.310/7.90					DUPLEX 30u"/.76u Au & 100u"/2.54u Sn OVER 50u"/1.27u Ni
69287-XXXLF		.480/12.20					DUPLEX 15u"/.38u Au & 100u"/2.54u Sn OVER 50u"/1.27u Ni
69288-XXXLF		.480/12.20					DUPLEX 30u"/.76u Au & 100u"/2.54u Sn OVER 50u"/1.27u Ni
69289-XXXLF		.680/17.30					DUPLEX 15u"/.38u Au & 100u"/2.54u Sn OVER 50u"/1.27u Ni
69290-XXXLF	2 x XXX	.680/17.30	NOTE 4	.37/9.4+D DIM	.40/10.2+D DIM	.48/12.2+D DIM	DUPLEX 30u"/.76u Au & 100u"/2.54u Sn OVER 50u"/1.27u Ni



FCJconnect.com

Copyright FCJ

mat'l. code	surface ISO 1302	tolerance ISO 406 ISO 1101	projection	product family
ltr	ecn no	dr	date	HEADERS
v				title
				VERTICAL 2-ROW GUIDE PIN
				(SLOTTED) HEADER-PRESS FIT TAILS
				dwg no
				sheet 3 of 3 size
				67289 A3
				type Product Customer Drawing
sheet	revision			
index	sheet			

form A3