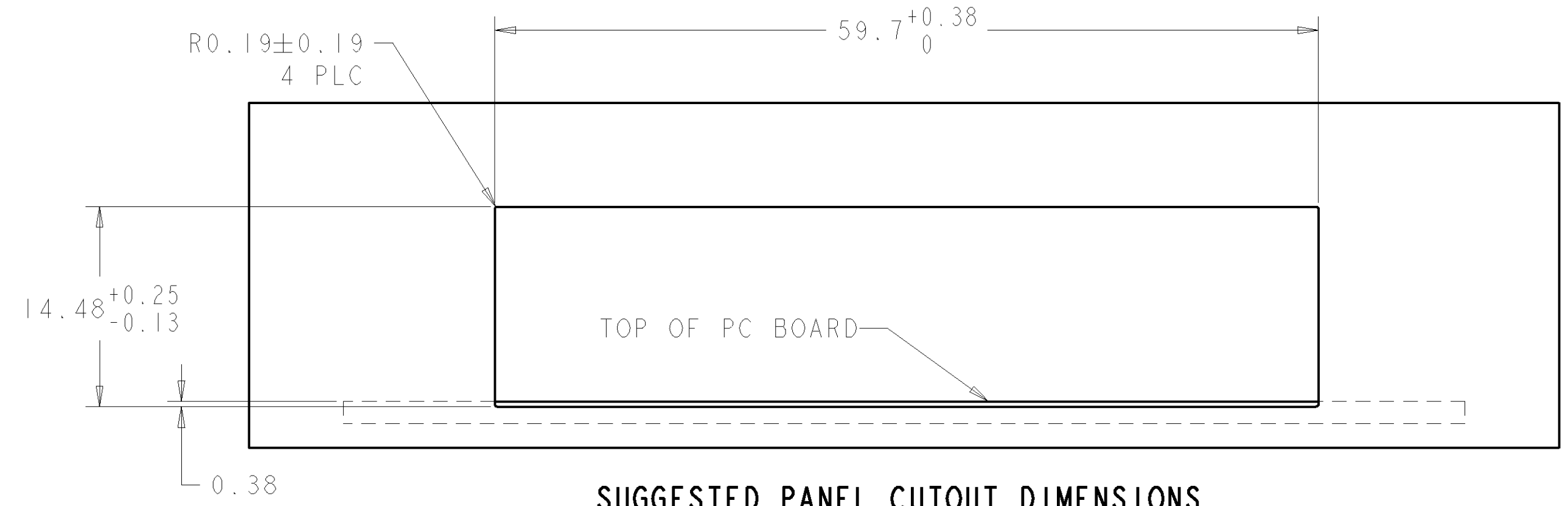
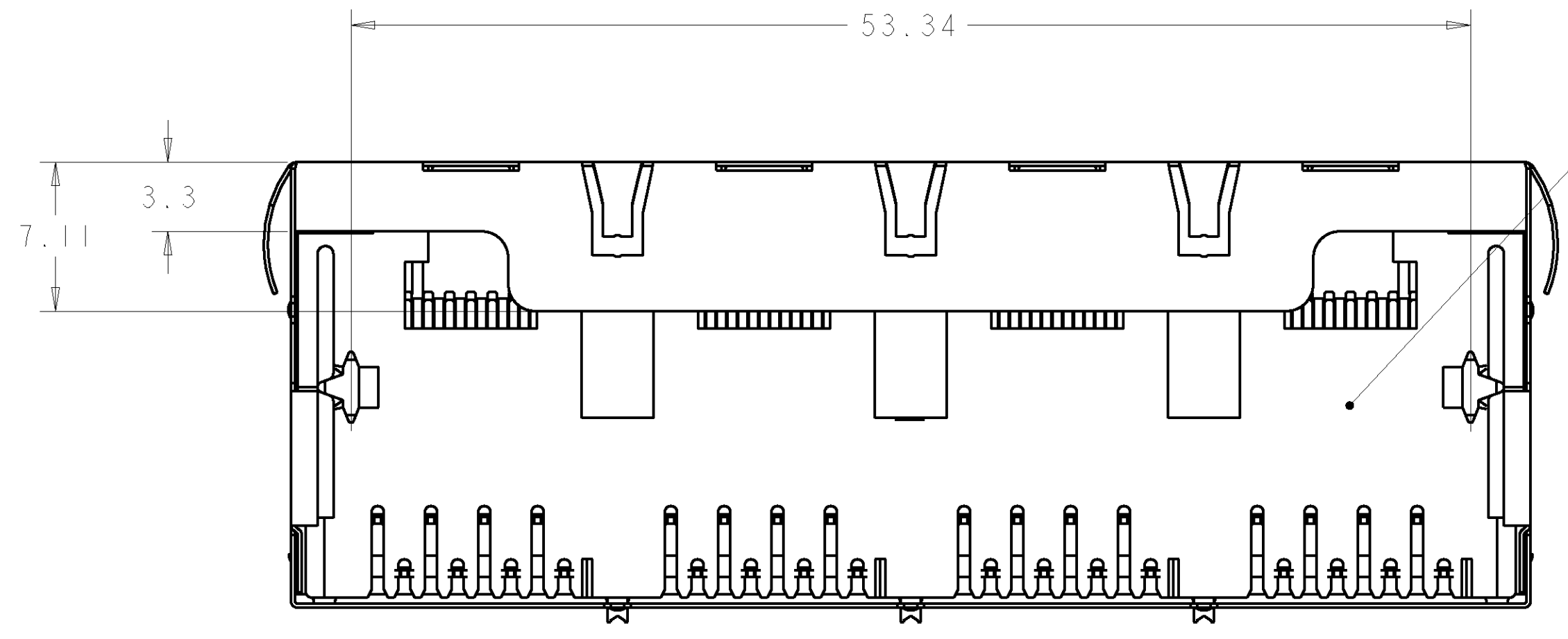
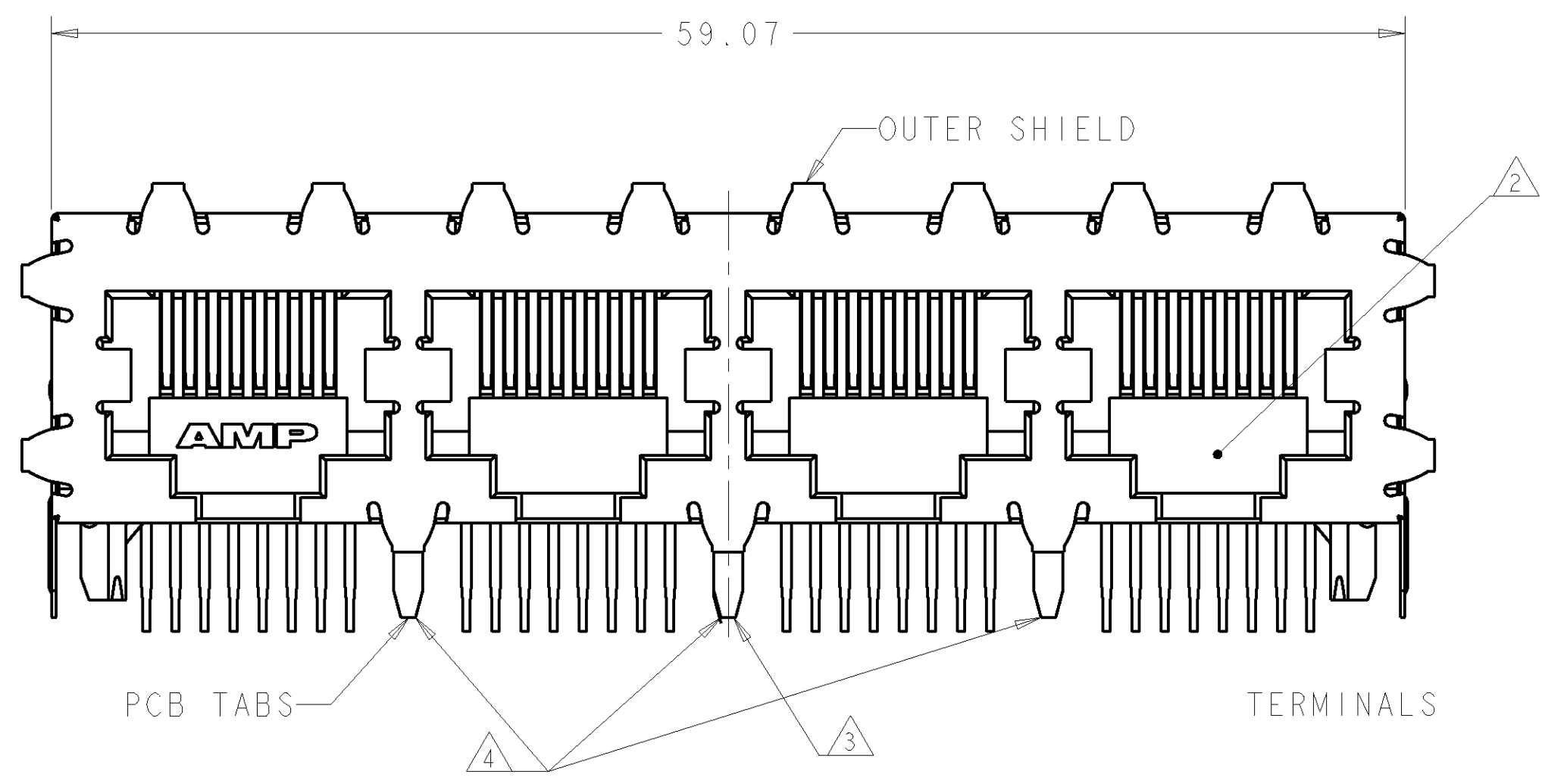
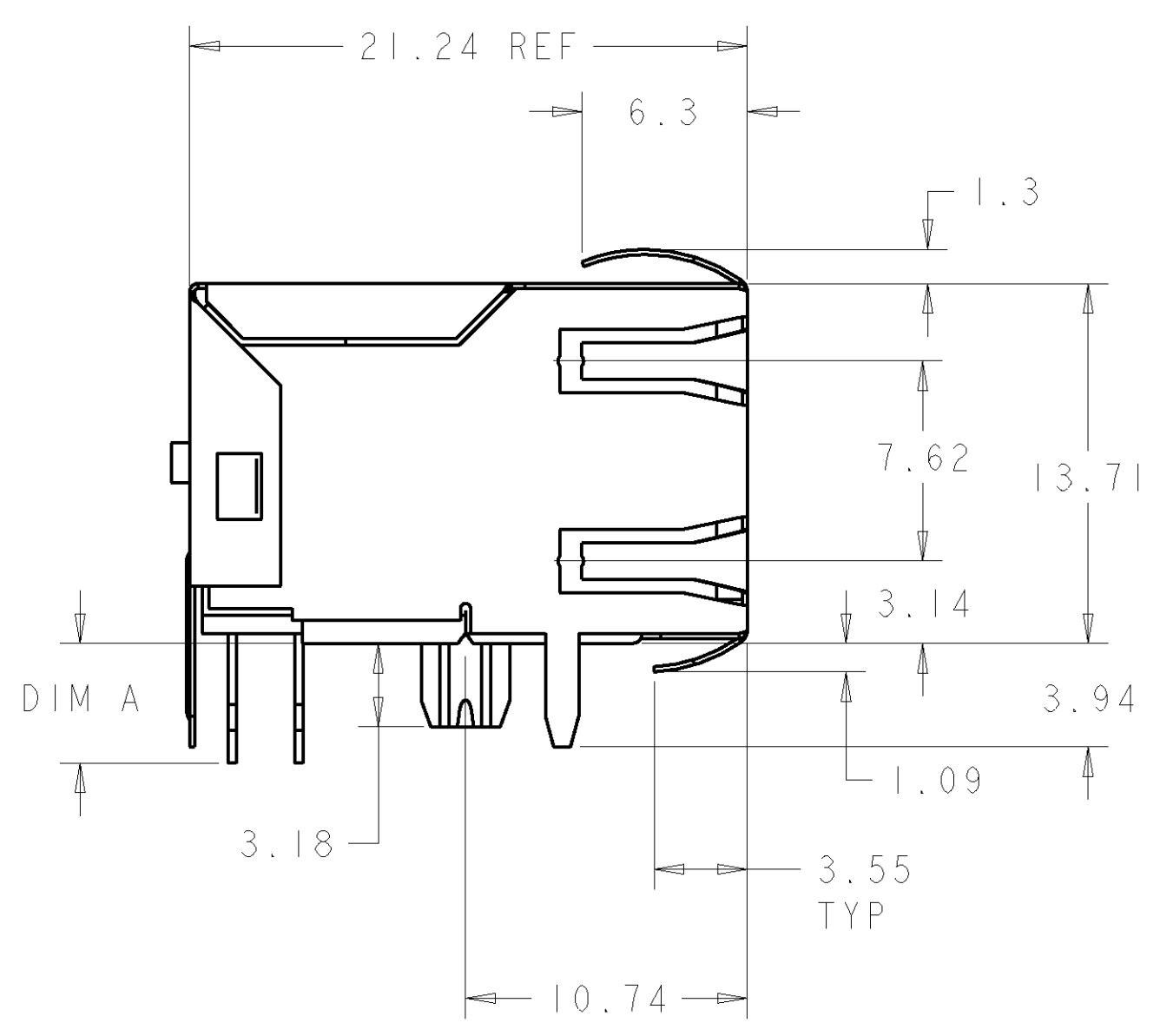
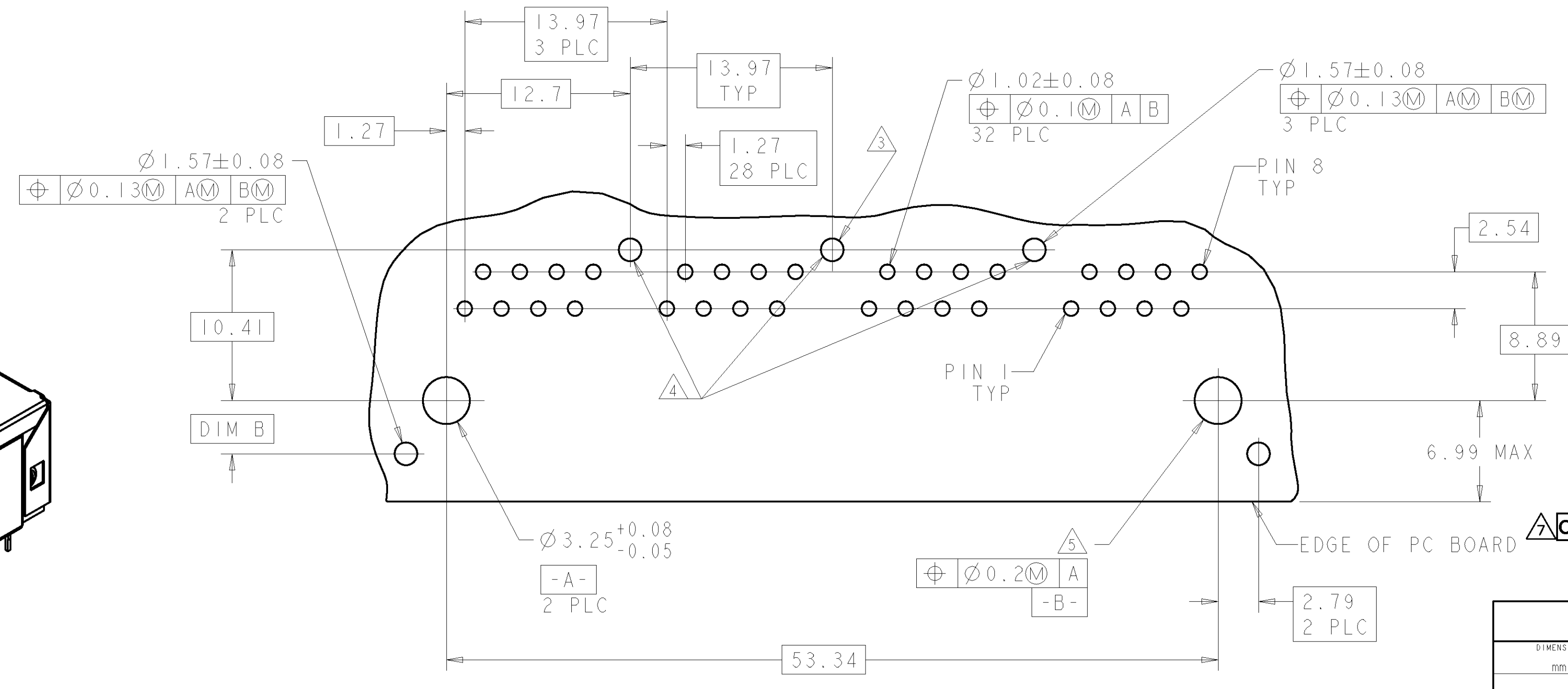
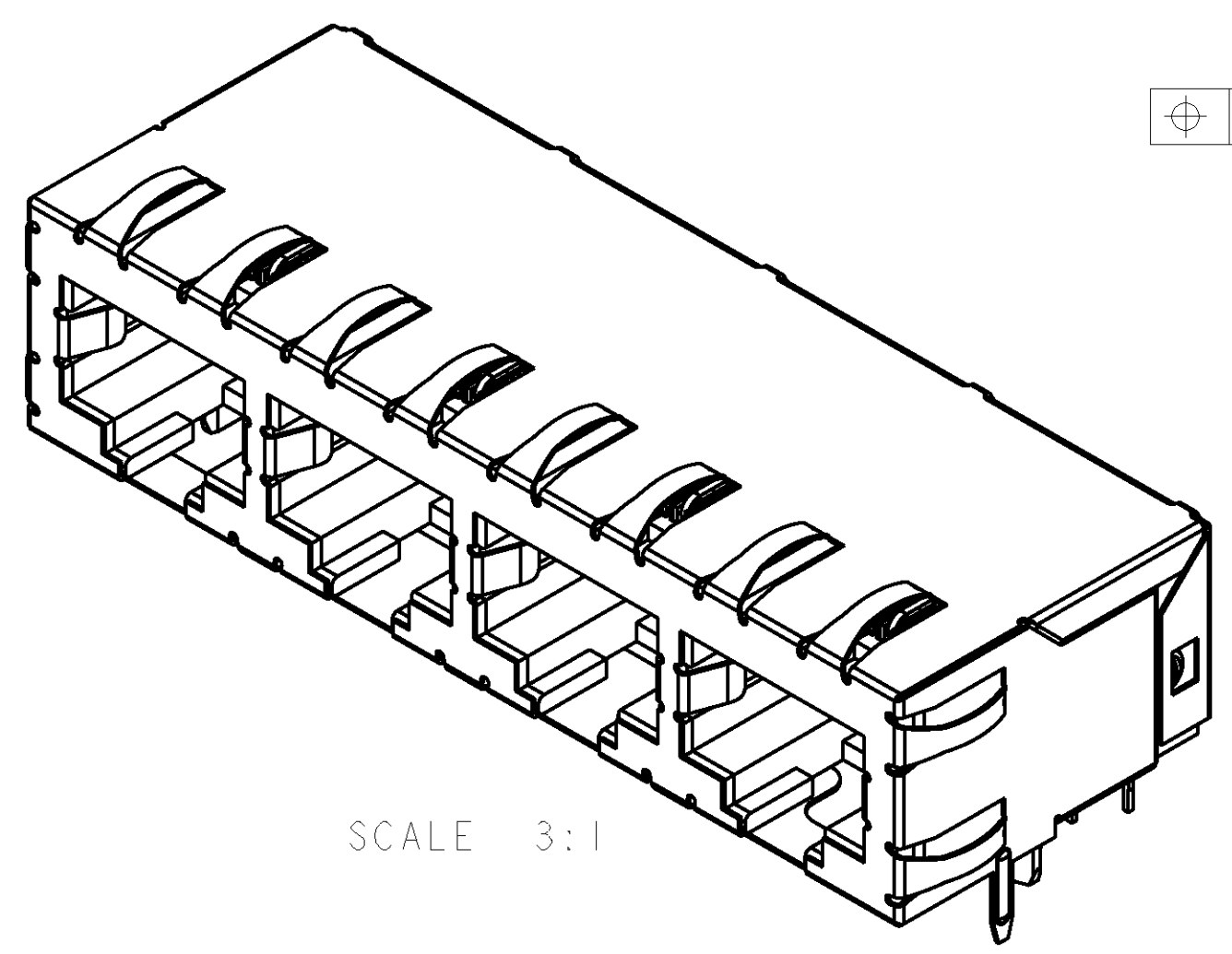


LOC	DIST	REV	DATE	BY	CHK	APPD
AA	22					
A3			20APR11	RK	HMR	



SUGGESTED PANEL CUTOUT DIMENSIONS
SCALE 3:1

- MATERIAL: HOUSING - PCT POLYESTER, BLACK, UL 94V-0
TERMINALS: 0.305 THICK PHOS BRONZE PLATED WITH .0013mm MINIMUM THICK HARD GOLD IN LOCALIZED AREA AND .002mm MINIMUM THICK MATTE TIN IN SOLDER AREA OVER .0013mm MINIMUM THICK NICKEL UNDERPLATE
SHIELD - .196 THICK COPPER ALLOY PLATED WITH .0013mm MINIMUM NICKEL AND .002mm MINIMUM HOT TIN DIP ON PCB GROUND TABS
- JACK CAVITY CONFORMS TO FCC RULES AND REGULATIONS, PART 68 SUBPART F
- PCB HOLES/TABS USED FOR -3
- PCB HOLES/TABS USED FOR -2 AND -4
- USE #30 DRILL BIT OR 3.25mm DRILL BIT WHEN PRODUCING THESE PCB HOLES
- RECOMMENDED APPLICATIONS: FAST ETHERNET, 10 BASE-T ETHERNET, AND 10/100 BASE-T ETHERNET (CAT 5 TWO PAIR 1/2, 3/6)
- OBsolete PARTS: OBSOLETE CIS STREAMLINING PER D.RENAUD/D.SINISI



PC BOARD VIEWED FROM COMPONENT SIDE OF BOARD
SCALE 4:1

3.68	3	3.56	6339167-4
4.57	1	3.56	6339167-3
4.57	3	3.56	6339167-2
4.57	0	3.05	6339167-1
DIM B	NUMBER OF REAR PCB TABS	DIM A	PART NO.

OBsolete

DIMENSIONS:		TOLERANCES UNLESS OTHERWISE SPECIFIED:		DRAWN		DATE		NAME	
mm	9 PLC	±		S. SCHOLL/A. MAYER	09MAY2005			TE Connectivity	
	3 PLC	±.25		J. WESTMAN	09MAY2005			ASSEMBLY, MULTI-PORT, 1X4, 8 POSITION, SHIELDED, WAVE PANEL GROUND	
	4 PLC	±		S. FLICKINGER				SIZE: CAGE CODE: DRAWING NO: RESTRICTED TO	
	ANGLES	±						A 00779 C=6339167	
MATERIAL	FINISH	SEE NOTE 1	SEE NOTE 1	WEIGHT				SCALE 4:1 SHEET 1 OF 1 REV A3	
SEE NOTE 1	SEE NOTE 1			CUSTOMER DRAWING					