

NOTES:

1. MATERIALS AND FINISHES:

- HEX NUT - STAINLESS STEEL, PASSIVATED
- LOCK WASHER - BRASS, WHITE BRONZE PLATING
- BODY - STAINLESS STEEL, PASSIVATED
- CONTACT - BERYLLIUM COPPER, GOLD PLATING
- GASKET - SILICONE RUBBER, RED
- INSULATOR - PTFE, NATURAL

2. ELECTRICAL:

- A. IMPEDANCE: 50 OHM
- B. FREQUENCY RANGE: 0-18 GHz
- C. VSWR (RETURN LOSS): 1.300 (-17.7 dB) MAX.
- D. D.W.V: 1000 VRMS, MIN.

3. MECHANICAL:

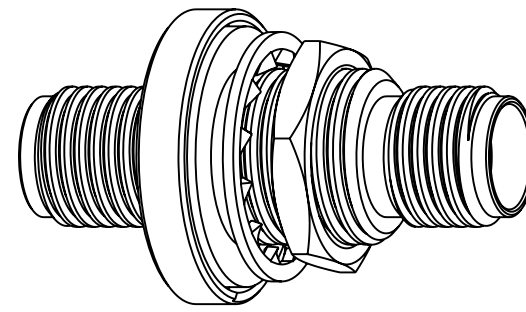
- A. DURABILITY: 500 CYCLES MIN.
- B. TEMPERATURE RANGE: -65°C TO +165°C
- C. SEALING REQUIREMENT: IP-68 MUST WITHSTAND 3' DEPTH OF WATER FOR ONE HOUR WITHOUT ANY SIGNS OF LEAKAGE

4. MAX. PANEL THICKNESS=4.3mm

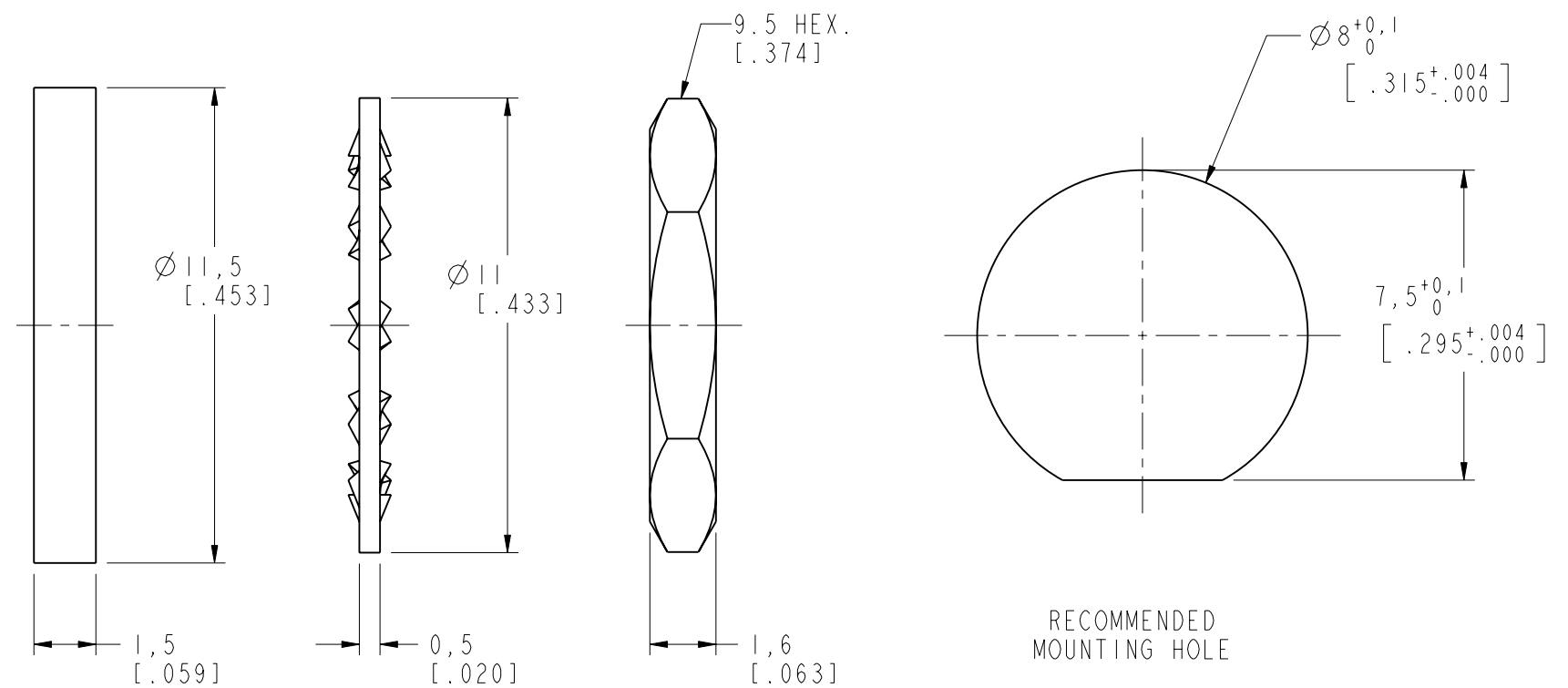
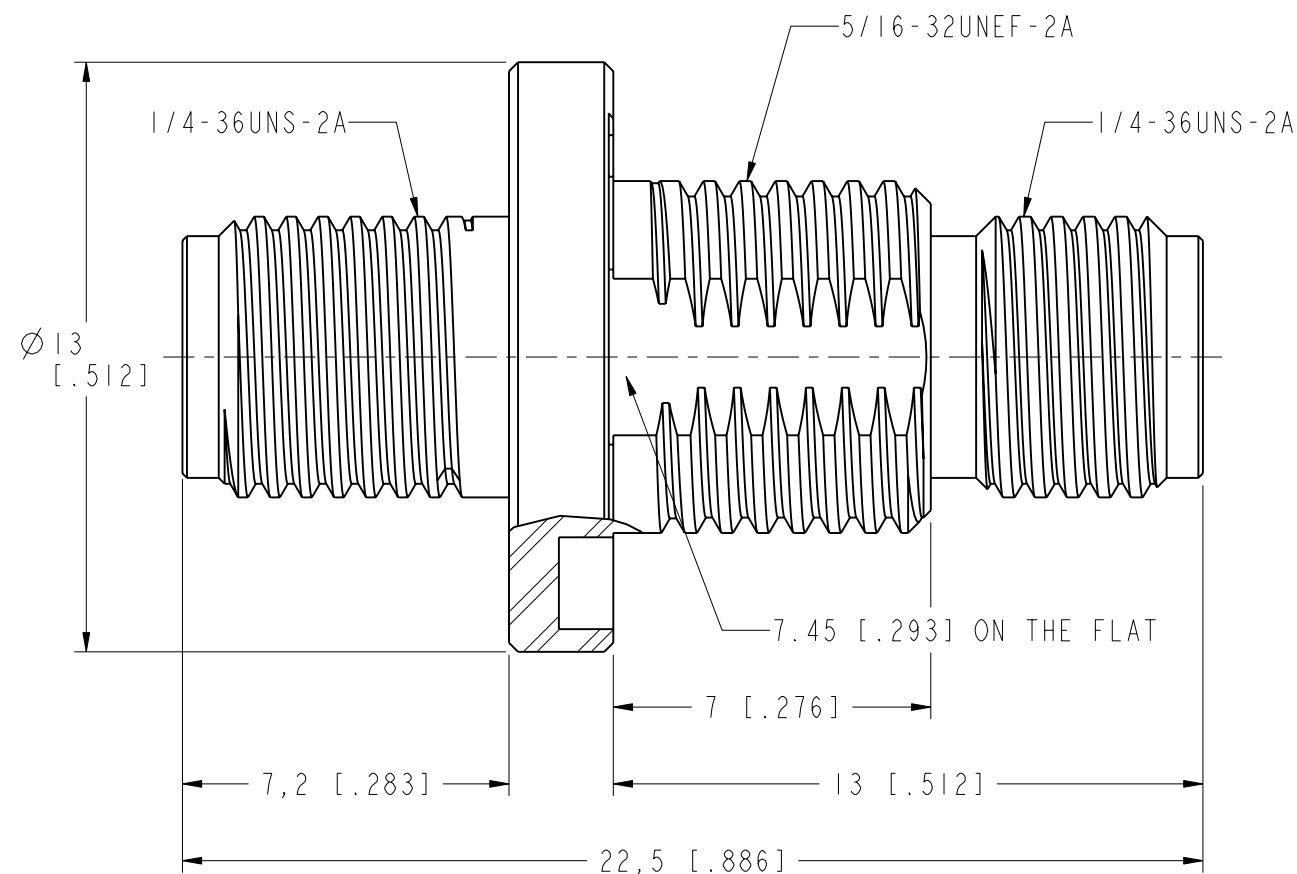
THIRD ANGLE PROJ.

REVISIONS

REV	DESCRIPTION	DATE	ECO	APPR
A	RELEASE TO MFG.	22-Dec-14	2843	MZ
B	HEX NUT WAS CHANGED \RD-DMI5061701R3	25-Jun-15	50623	RM



SCALE 3.000



RECOMMENDED MOUNTING HOLE

CUSTOMER OUTLINE DRAWING

ALL OTHER SHEETS ARE FOR INTERNAL USE ONLY

<p>UNLESS OTHERWISE SPECIFIED, DIMENSIONS ARE IN METRIC AND TOLERANCES ARE: <0.5mm ±0.05mm 0.5 - 6mm ±0.1mm 6 - 30mm ±0.2mm 30 - 120mm ±0.3mm ANGLES ±1°</p>	MATERIAL	DRAWN M. ZHANG	DATE 22-Dec-14	<p>TITLE SMA BULKHEAD JACK TO JACK ADAPTOR (IP 68)</p>	<p>Amphenol RF www.amphenolrf.com</p>
	REFERENCE	ENGINEER S. DUAN	DATE 22-Dec-14		
<p>NOTICE - These drawings, specifications, or other data (1) are, and remain the property of Amphenol corp. (2) must be returned upon request; and (3) are confidential and not to be disclosed to any person other than those to whom they are given by Amphenol Corp. the furnishing of these drawings, specifications, or other data by Amphenol Corp., or to any other person to anyone for any purpose is not to be regarded by implication or otherwise in any manner licensing, granting rights to permitting such holder or any other person to manufacture, use or sell any product, process or design, patented or otherwise, that may in any way be related to or disclosed by said drawings, specifications, or other data.</p>	CONFIGURATION LEVEL: In Work	APPROVED S. HSIEH	DATE 25-Jun-15	SCALE: 6.0:1.0 SHEET 2 OF 2	ITEM NO. 117471AAL00RZ5F
	FINISH	CAD FILE	DWG SIZE B	REV B	PART NO. 132170-12SS