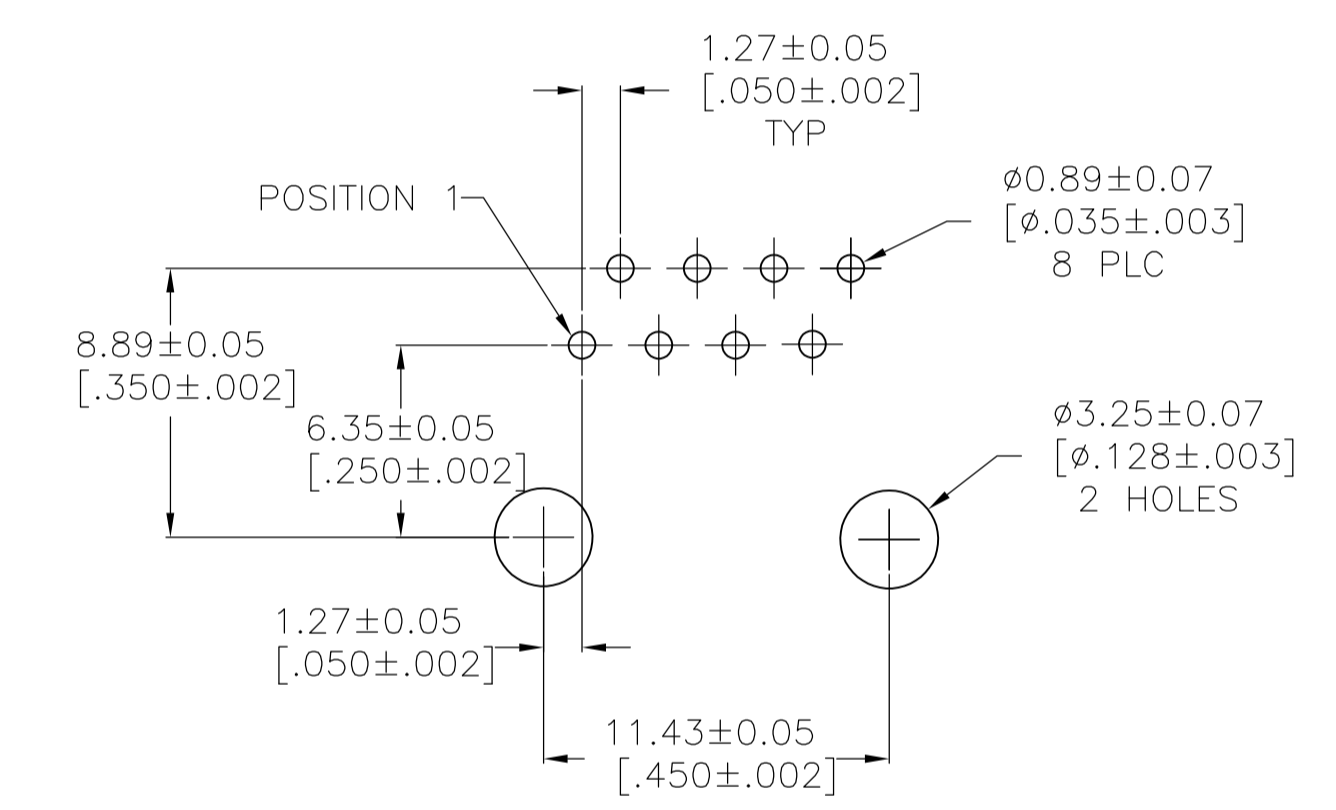
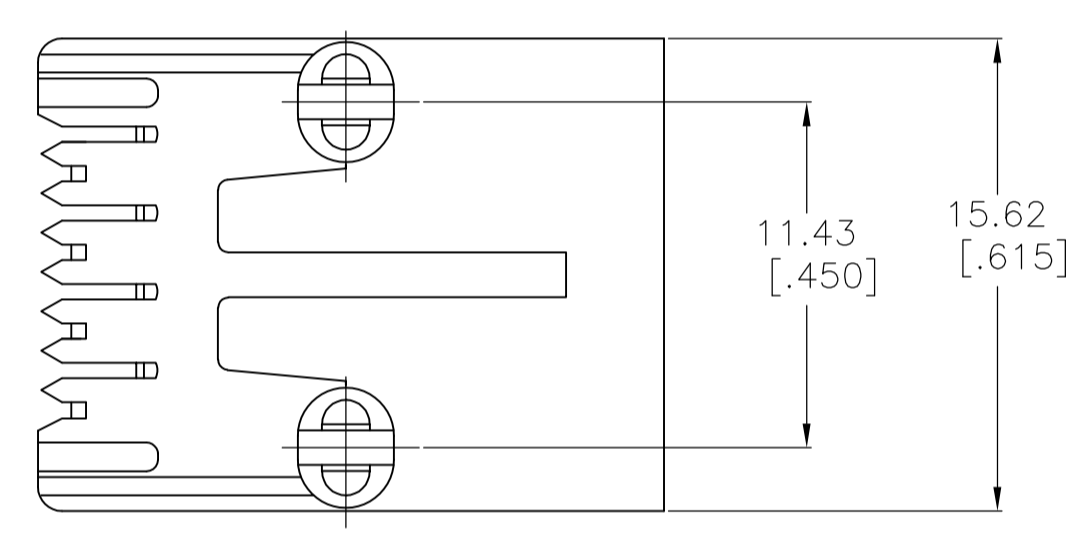


RECOMMENDED PANEL CUTOUT

- MATERIAL: HOUSING PBT POLYESTER, COLOR: BLACK.  
 TERMINAL-0.36 [.014] THICK PHOS-BRONZE PLATED WITH 1.27um [.000050] MINIMUM THICK HARD GOLD IN LOCALIZED GOLD PLATE AREA AND 3.81um [.000150] MINIMUM THICK MATTE TIN IN SOLDER AREA OVER 1.27um [.000050] MINIMUM THICK NICKEL UNDERPLATE.
- CAVITY CONFORMS TO FCC RULES AND REGULATIONS PART 68 AND REA BULLETIN 345-81, PE-76 SPECIFICATION FOR MODULAR TELEPHONE HARDWARE.
- ALL DIMENSIONS SHOWN ARE MAXIMUM UNLESS OTHERWISE SPECIFIED.



RECOMMENDED PRINTED CIRCUIT BOARD LAYOUT  
 COMPONENT SIDE SHOWN

5554517-1  
 PART NUMBER

THIS DRAWING IS A CONTROLLED DOCUMENT.		DIN L.A.MAYER 30AUG2007	Tyco Electronics Corporation Harrisburg, PA 17105-3608	
DIMENSIONS: mm [INCHES]	TOLERANCES UNLESS OTHERWISE SPECIFIED:	CHK P.RECCE 30AUG2007	NAME S.FLICKINGER 30AUG2007	RESTRICTED TO
0 PLC ± -	1 PLC ± -	PRODUCT SPEC 108-1163		
2 PLC ± 0.13[.005]	3 PLC ± -	APPLICATION SPEC 114-2048		
4 PLC ± -	ANGLES ± -	SIZE A1	SCALE 4:1	SHEET 1 OF 1
MATERIAL SEE NOTE 1	FINISH SEE NOTE 1	WEIGHT -	CUSTOMER DRAWING	REV B