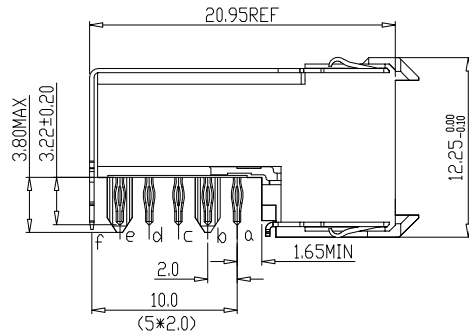


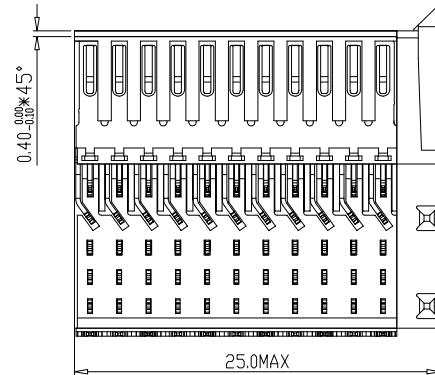
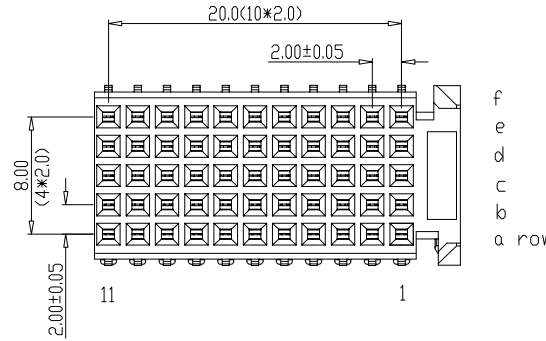
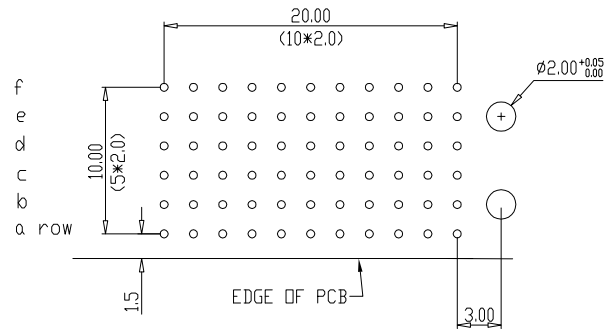


All rights strictly reserved. Reproduction or issue to third parties in any form whatever is not permitted without written authority from the proprietor.  
Property of FCI. Copyright FCI.

Tous droits strictement reserves. Reproduction ou communication a des tiers interdite sous quelque forme que ce soit sans autorisation ecrite du proprietaire.  
Propriete de c FCI. Droits de reproduction FCI.



LAY-OUT  
P.C.B.- HOLE



PERFORMANCE CHARACTERISTICS

CURRENT RATING 1.5A AT 20°C (FULLY LOADED)  
1 A AT 70°C (FULLY LOADED)  
RATED VOLTAGE : 500 V AC (CONT /CONT)  
OPERATING TEMPERATURE : -55°C TO 125°C  
CONTACT RESISTANCE 20 MΩ MAX  
INSERTION FORCE : 0.75N MAX/CONT  
EXTRACTION FORCE : 0.15N MIN/CONT  
INSULATION RESISTANCE : 10<sup>4</sup> MΩ MIN

NOTES 1: LEAD FREE INDICATOR (LF)=LEAD FREE

PERFORMANCE LEVEL INDICATOR (REF DWG ND.BSC.201844.003)

2. THIS PRODUCT IS CSA APPROVED, THIS PRODUCT IS UL RECOGNIZED.

3. FOR RECOMMENDED PTH DIMENSIONS REFER DRAWING : BS.A.201572.001

4. THIS PRODUCT (LF) MEETS EUROPEAN UNION DIRECTIVES AND OTHER COUNTRY REGULATIONS AS DESCRIBED IN GS-22-008

rev	ecn no	dr	date
A	CONVERSION REVISION 05	KN	14-09-01
B	DG05-0278	Kason	02-08-05
C	DG07-0362	Kason	05-09-07
D	DG10-0110	NZ	05-30-10
05	BEC 8.3543	R.M	110601

Material		Spec ref			
Mat code		✓		tolerance 1DEC ± 0.2 1DEC 2DEC ± 0.1 2DEC ANGLES ± 1° HOEKEN	
Heattreat		projection		MM	
Plating/Finish		size A4		Scale 2.000	
Dr	W,Paris	10-01-95	Product family		MILLIPACS
Eng			Model Name		ECN
Chr			Model Revision		REL Level
Appr			title		MPACS 5+2R RA RCP CONN TYPE CR
FCI		dwg no		BSC201444009	
Pro/E file		catalog no		HM2R20PA5101----	
		sheet 1 of 1		Rev. D	