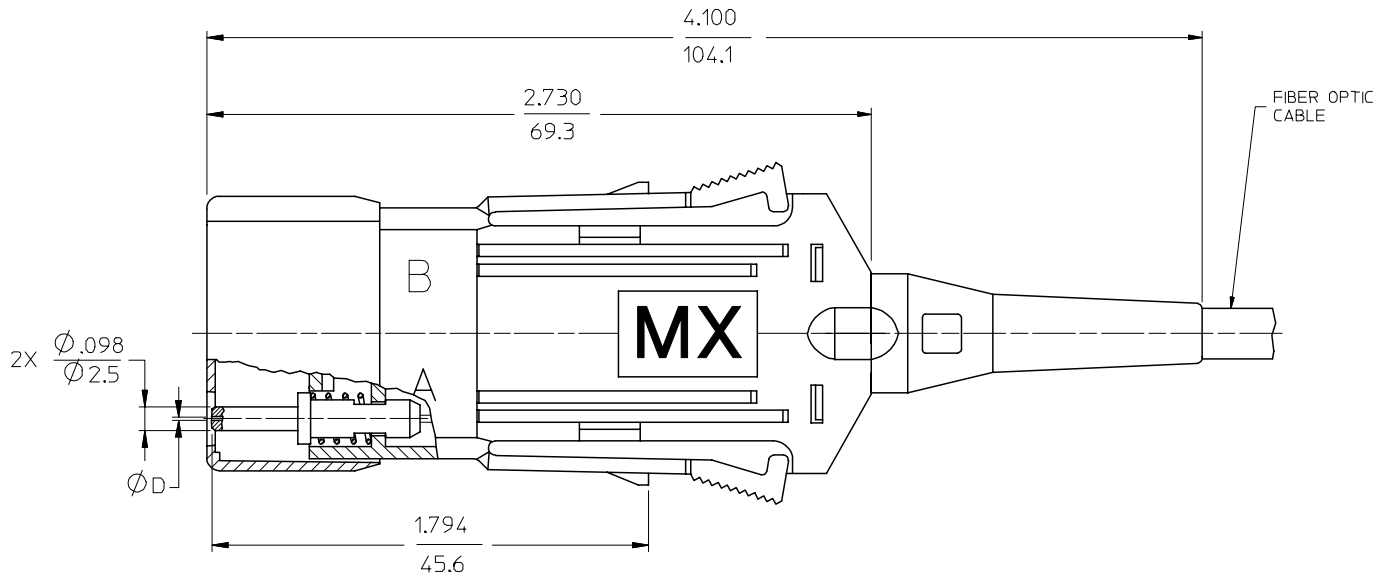
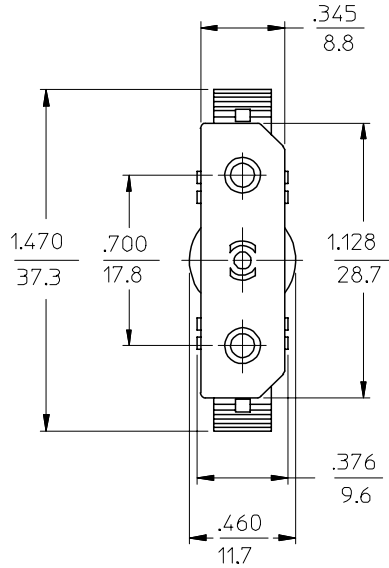


| P/N of CONNECTOR | ØD (µm) | MATERIAL of FERRULE | TYPE of CABLE |
|------------------|---------|---------------------|---------------|
| 106040-0000 | 127 | Zr PLUS | Ø4.2 mm |
| 106040-0100 | | | Ø4.8 mm |
| 106040-0200 | | | ZIPCORD |
| 106040-3000 | 128 | Zr | Ø4.2 mm |
| 106040-3100 | | | Ø4.8 mm |
| 106040-3200 | | | ZIPCORD |



| | | | | | | | | |
|---|-------------------------------|---------------------------------------|---|-----------------|------------|--------------------|------------------------|--|
| ENTER DESCRIPTION EC NO: MF2006-0283 DRWN:PGIBLIN CHKD: APPR:IGUMIN 2005/11/28 2005/11/28 2005/11/28 | QUALITY SYMBOLS ▽=0 ▽=0 | GENERAL TOLERANCES (UNLESS SPECIFIED) | | DIMENSION STYLE | SCALE | DESIGN UNITS | THIRD ANGLE PROJECTION | |
| | | mm | INCH | IN/MM | 2:1 | INCH | | |
| | | 4 PLACES ±--- | ±--- | DRAWN BY | DATE | TITLE | | |
| | | 3 PLACES ±--- | ±--- | PGIBLIN | 2005/10/26 | ESCON CONNECTOR | | |
| 2 PLACES ±--- | ±--- | CHECKED BY | DATE | APPROVED BY | | | | |
| 1 PLACE ±--- | ±--- | ANGULAR ±1/2° | | DATE | | MOLEX INCORPORATED | | |
| DRAFT WHERE APPLICABLE MUST REMAIN WITHIN DIMENSIONS | | MATERIAL NO. | DOCUMENT NO. | | SHEET NO. | | | |
| | | SEE TABLE | SD-106040-XX00 | | 1 OF 01 | | | |
| | | SIZE B | THIS DRAWING CONTAINS INFORMATION THAT IS PROPRIETARY TO MOLEX INCORPORATED AND SHOULD NOT BE USED WITHOUT WRITTEN PERMISSION | | | | | |