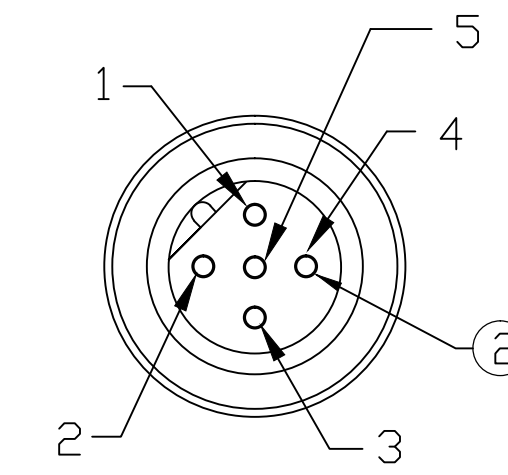
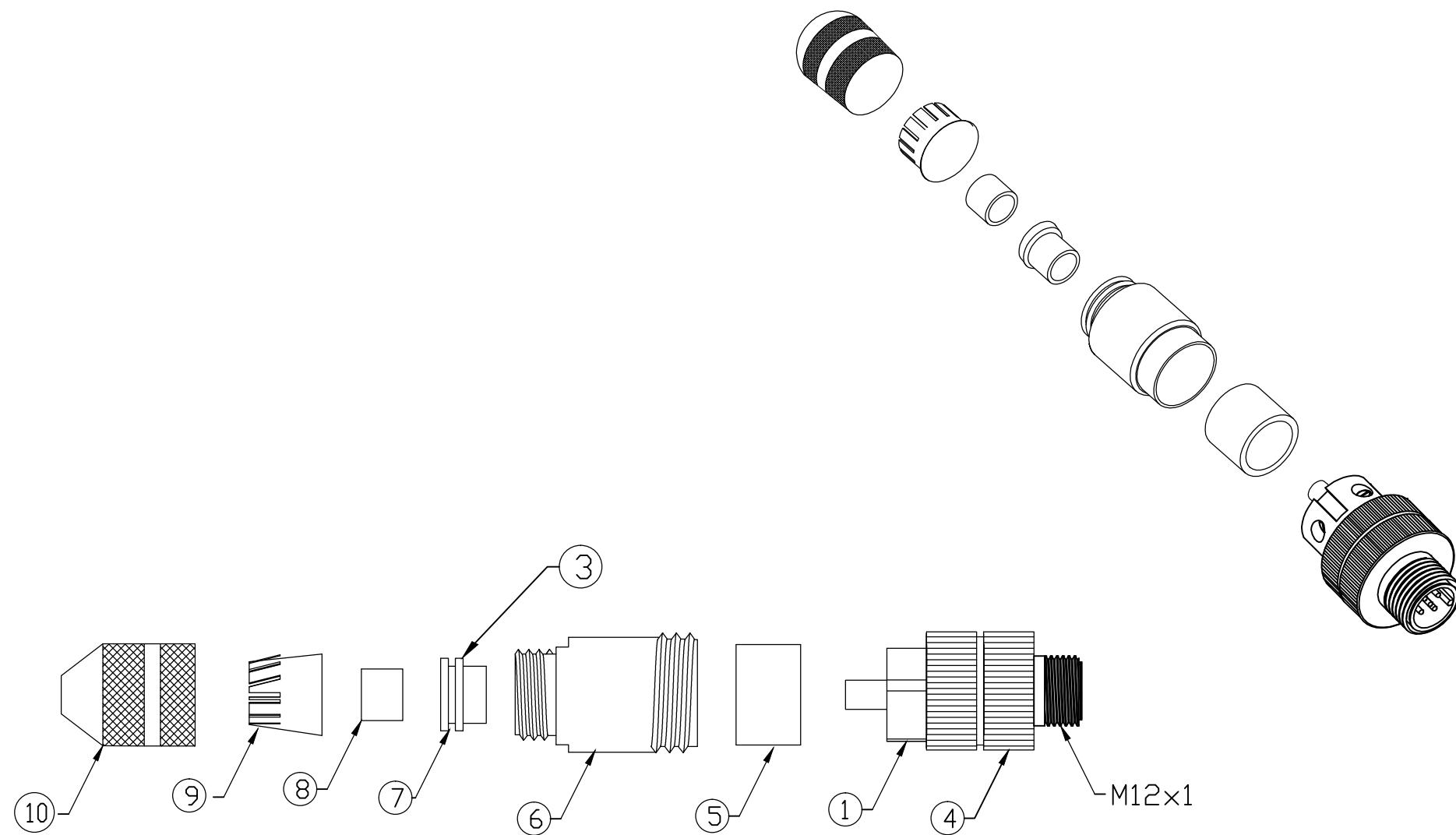
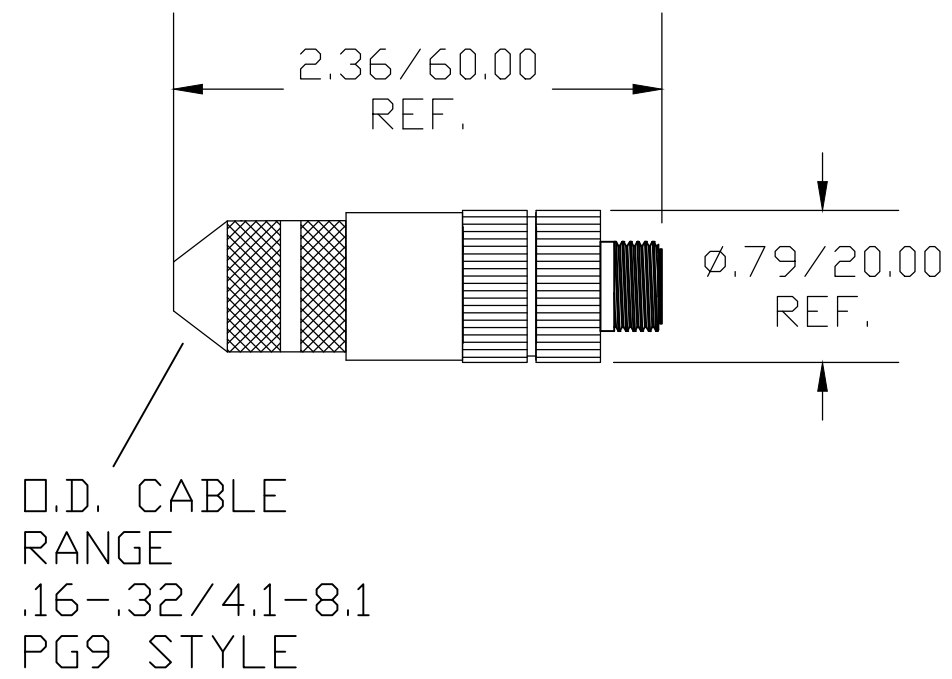


MATERIAL NUMBER	OLD PART NUMBER
120100-0002	BA5S06-32



MALE FACE VIEW

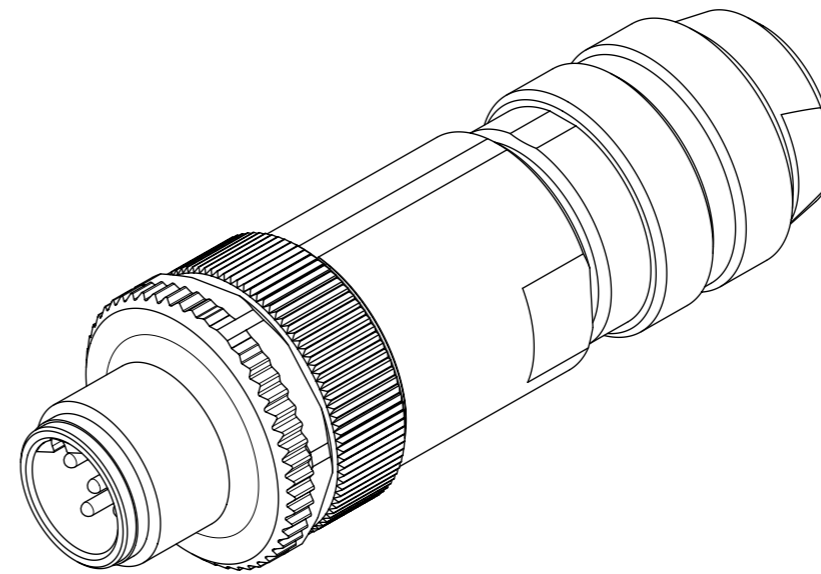
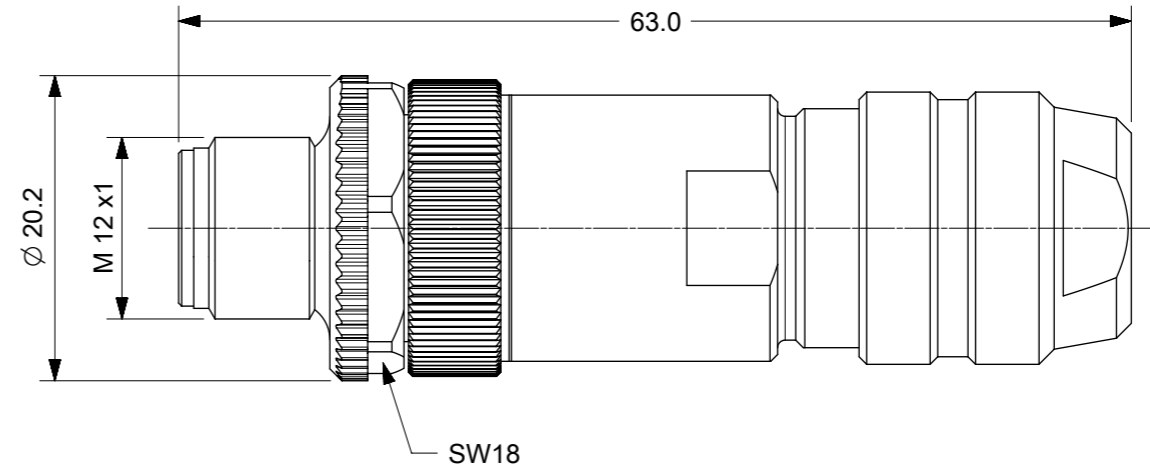
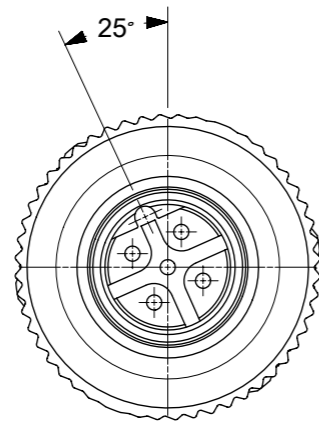
1	NOT USED
2	GREEN (BUS-A)
3	NOT USED
4	RED (BUS-B)
5	SHIELD

WIRING CHART

ITEM	COMPONENT	MATERIAL	FINISH
1	INSERT	NYLON	BLACK
2	CONTACTS	COPPER ALLOY	SILVER PLATED
3	O-RING	NITRILE	BLACK
4	COUPLING NUT	BRASS	NICKEL PLATED
5	GROOMET	NITRILE	BLACK
6	BODY	BRASS	NICKEL PLATED
7	SLEEVE	BRASS	NICKEL PLATED
8	GROOMET	NITRILE	BLACK
9	STRAIN RELIEF	NYLON	WHITE
10	BODY	BRASS	NICKEL PLATED

VOLTAGE RATING	250VAC/VDC
AMPERAGE RATING	4 AMPS
PROTECTION	IP67
OPERATING TEMPERATURE	-25°C TO 90°C

CHANGE COLOR #3&9 EC NO: WNA2012-0118 DRWN: TWOLDEGE 8/25/11 CHKD: BWOODMAN APPR: JFMURPHY 2009/08/28	QUALITY SYMBOL ▽=0 ▽=0	GENERAL TOLERANCES (UNLESS SPECIFIED)		DIMENSION STYLE		SCALE	DESIGN UNITS	THIRD ANGLE PROJECTION			
				IN/MM		1:1	INCH				
				mm	INCH	DRAWN BY DATE		TITLE			
				4 PLACES	±---	±---	TWOLDEGE 2009/08/27	M12 5P MALE ATTACHABLE PROFIBUS SHIELDED CABLE RANGE .16"-.32"			
		3 PLACES	±.005	±.005	CHECKED BY DATE	MOLEX INCORPORATED					
		2 PLACES	±.013	±.010	BWOODMAN 2009/08/27						
		1 PLACE	±.025	±.020	APPROVED BY DATE	DOCUMENT NO.					
		ANGULAR ±1/2°		JFMURPHY 2009/08/28		SHEET NO.					
		DRAFT WHERE APPLICABLE MUST REMAIN WITHIN DIMENSIONS		MATERIAL NO.		SD-120100-002		1 OF 1			
				SIZE C		THIS DRAWING CONTAINS INFORMATION THAT IS PROPRIETARY TO MOLEX INCORPORATED AND SHOULD NOT BE USED WITHOUT WRITTEN PERMISSION					



NOTES:

- 1. LOCKING SYSTEM: SCREW
WIRE GAUGE: 0.75mm²
CABLE OUTLET: 6,5 - 8,5mm
- 2. ELECTRICAL DATA:
CURRENT RATING: 4A
VOLTAGE RATING: 60V
- 3. MECHANICAL:
OPERATING TEMP.: -40°C to +85°C
PROTECTION CLASS: IP67
- 4. MATERIAL:
CONTACT: CuZn (BRASS)
CONTACT PLATING: Au (GOLD)
HOUSING: zinc die cast
COUPLING NUT: CuZn (BRASS)

PRE-RELEASE
 REFERENCE
 USE ONLY

ENG.-NO: BA5S06-32

THIS DRAWING CONTAINS INFORMATION THAT IS PROPRIETARY TO MOLEX ELECTRONIC TECHNOLOGIES, LLC AND SHOULD NOT BE USED WITHOUT WRITTEN PERMISSION											
QUALITY SYMBOLS FA = 0 FE = 0 FB = 0 FV = 0 FC = 0 FX = 0 FS = 0 FT = 0	2016/08/10	GENERAL TOLERANCES (UNLESS SPECIFIED)			DIMENSION UNITS	SCALE	<h1 style="margin: 0;">molex®</h1>				
	2016/08/10	ANGULAR TOL ± 1.0 °			MM						
	2016/08/10	4 PLACES	±		DRWN BY	DATE	FA M12 PRO 5P BC MA STR SCR SHLD				
	2016/08/10	3 PLACES	±		KGRUEDL	2015/11/25					
	2016/08/10	2 PLACES	±	0.05	CHK'D BY	DATE	PRODUCT CUSTOMER DRAWING				
2016/08/10	1 PLACE	±	0.3	APPR BY	DATE	SERIES	MATERIAL NUMBER	CUSTOMER			
2016/08/10	0 PLACES	±	0.5	CBRUNS	2016/04/08	120100	1201000002	GENERAL MARKET			
2016/08/10	DRAFT WHERE APPLICABLE MUST REMAIN WITHIN DIMENSIONS			DRAWING SIZE	THIRD ANGLE PROJECTION	DOCUMENT NUMBER		DOC TYPE	DOC PART	SHEET NUMBER	
2016/08/10	A3	REV	APPR:	A3		1201000002		PSD	000	1 OF 1	