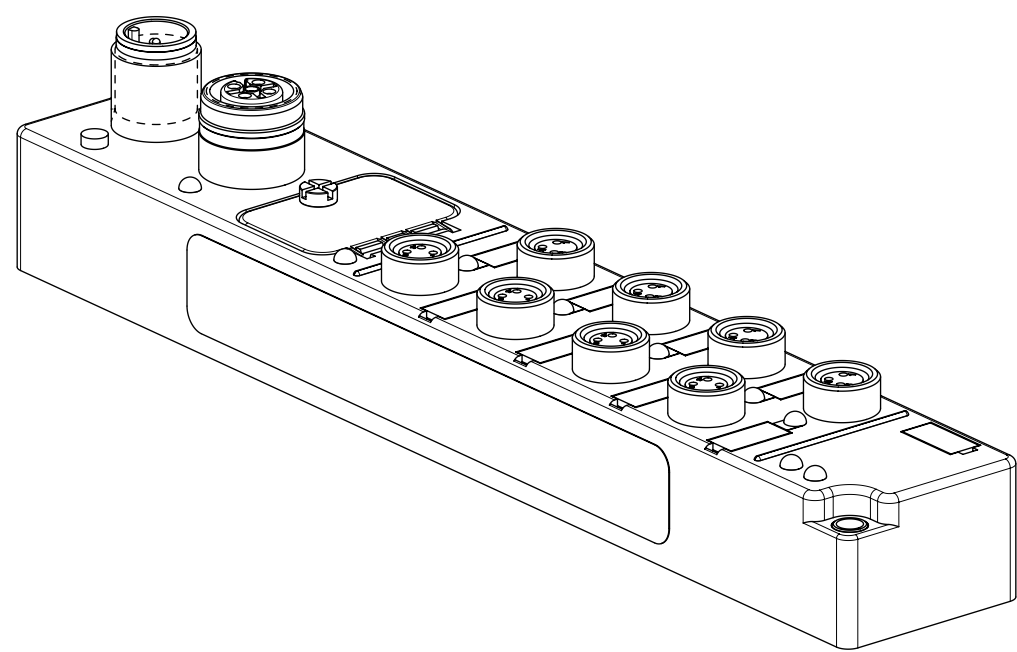
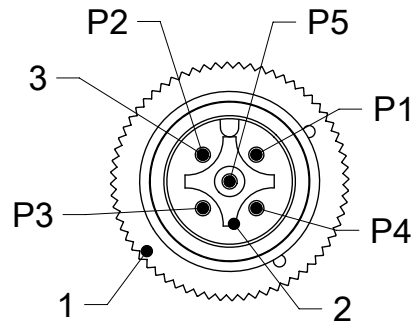


2x FIXING HOLES
SUITABLE FOR M3
SCREWS



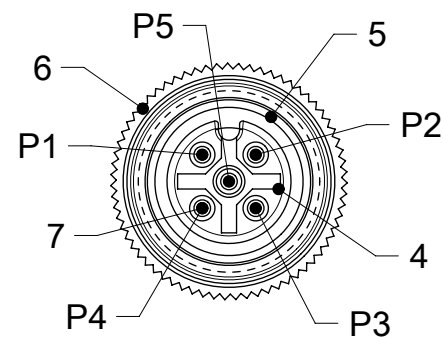
THIS DRAWING CONTAINS INFORMATION THAT IS PROPRIETARY TO MOLEX INCORPORATED AND SHOULD NOT BE USED WITHOUT WRITTEN PERMISSION												
QUALITY SYMBOLS	EC NO: 111427	EC DESCRIPTION: ULETTENMEIER	2016/12/13	2016/12/14	GENERAL TOLERANCES (UNLESS SPECIFIED)		DIMENSION UNITS	SCALE				
					ANGULAR TOL ± °	MM	1:1					
▽ = 0	A3	REV APPR: RSILLER	A3	REV	4 PLACES ±	DATE	DRWN BY		DBO DN 30 MM M12 4P MA AC M12 4P FE AC M8 3P 8PT FE			
▽ = 0					3 PLACES ±		DATE					
▽ = 0					2 PLACES ±	CHK'D BY		PRODUCT CUSTOMER DRAWING				
▼ = 0					1 PLACE ± 0.3	DATE						
▽ = 0					0 PLACES ± 0.5	APPR BY		SERIES: 112092 MATERIAL NUMBER: SEE TABLE 1 CUSTOMER: GENERAL MARKET				
☒ = 0					DRAFT WHERE APPLICABLE MUST REMAIN WITHIN DIMENSIONS		DATE					
■ = 0	DRAFT WHERE APPLICABLE MUST REMAIN WITHIN DIMENSIONS		DATE		DOCUMENT NUMBER: 1120920008		DOC TYPE: PSD		DOC PART: 000		SHEET NUMBER: 1 OF 3	
▽ = 0	DRAFT WHERE APPLICABLE MUST REMAIN WITHIN DIMENSIONS		DATE		DRAWING SIZE: A3		THIRD ANGLE PROJECTION					

A
BUS IN:
1x MALE M12 5P A-CODE



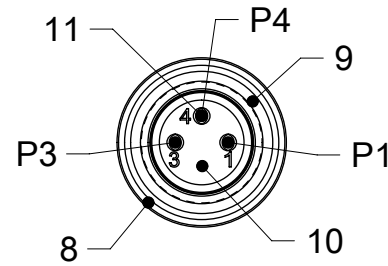
Wiring Information:
1 - Drain
2 - Vs+ (24 VDC)
3 - Vs- (0 VDC)
4 - CAN H
5 - CAN L

B
BUS OUT:
1x FEMALE M12 5P A-CODE



Wiring Information:
1 - Drain
2 - Vs+ (24 VDC)
3 - Vs- (0 VDC)
4 - CAN H
5 - CAN L

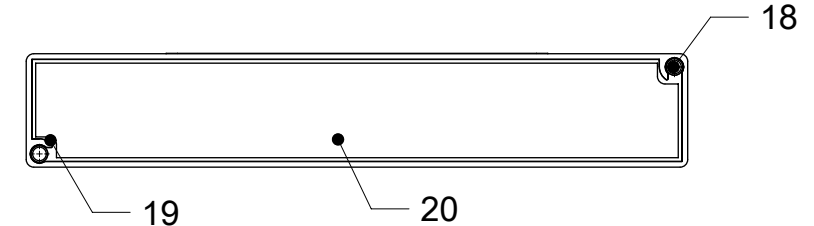
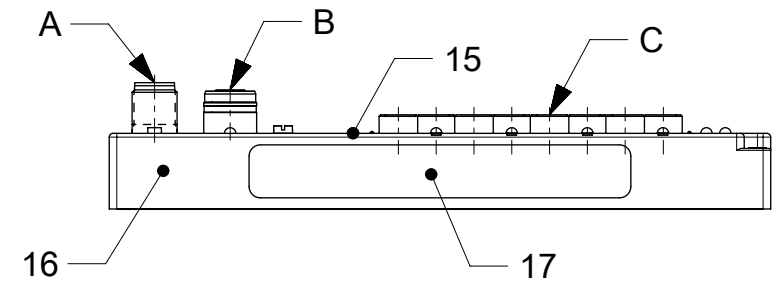
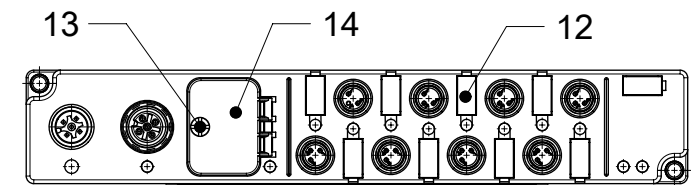
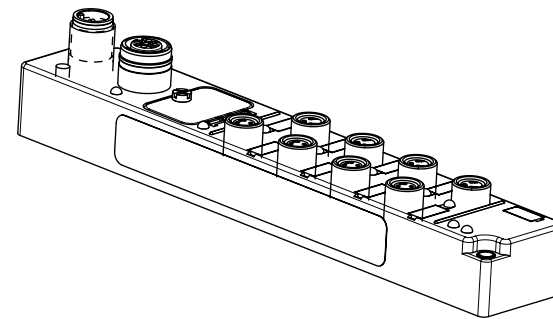
C
INPUT / OUTPUT:
8x FEMALE M8 3P



Wiring Information:
1 - Vs+
3 - Vs-
4 - Signal

BILL OF MATERIAL

ITEM	DESCRIPTION	MATERIAL	FINISH
1	SHELL	BRASS	NICKEL PLATET
2	INSERT	TPU	BLACK
3	CONTACT	COPPER ALLOY	GOLD OVER NICKEL
4	INSERT	TPU	BLACK
5	GASKET	FPM	RED
6	SHELL	BRASS	NICKEL PLATET
7	CONTACT	COPPER ALLOY	GOLD OVER NICKEL
8	SHELL	BRASS	NICKEL PLATET
9	GASKET	FKM	RED
10	INSERT	TPU	BLACK
11	CONTACT	COPPER ALLOY	GOLD OVER NICKEL
12	LABEL	PC	WHITE
13	SCREW	V2A	V2A
14	WINDOW	PC	TRANSPARENT
15	LED	PA	TRANSPARENT
16	HOUSING	PBT	BLACK
17	LABEL	PVC	YELLOW
18	SLEEVE	BRASS	NICKEL
19	RESIN	EPOXY	TRANSPARENT
20	LABEL	PVC	WHITE



QUALITY SYMBOLS	THIS DRAWING CONTAINS INFORMATION THAT IS PROPRIETARY TO MOLEX INCORPORATED AND SHOULD NOT BE USED WITHOUT WRITTEN PERMISSION				
▽ = 0	EC DESCRIPTION EC NO: 111427 DRWN: ULETTENMEIER CHK'D: APPR: RSILLER 2016/12/13 2016/12/14	GENERAL TOLERANCES (UNLESS SPECIFIED)		DIMENSION UNITS	SCALE
▽ = 0		ANGULAR TOL ± °		MM	1:1
▽ = 0		4 PLACES ±	DRWN BY ULETTENMEIER DATE 2015/01/26		
▼ = 0		3 PLACES ±	CHK'D BY DATE		
▽ = 0		2 PLACES ±	APPR BY RSILLER DATE 2015/05/20		
▽ = 0		1 PLACE ± 0.3	DRAWING SIZE A3		
☒ = 0		0 PLACES ± 0.5	THIRD ANGLE PROJECTION		
▽ = 0		DRAFT WHERE APPLICABLE MUST REMAIN WITHIN DIMENSIONS			
■ = 0		<div style="text-align: center;"> <p>DBO DN 30 MM M12 4P MA AC M12 4P FE AC M8 3P 8PT FE</p> <p>PRODUCT CUSTOMER DRAWING</p> </div>			
▽ = 0					
RELEASE STATUS P1		RELEASE DATE 14.12.2016 17:27:02		CUSTOMER GENERAL MARKET	
		DOCUMENT NUMBER 1120920008		DOC TYPE PSD	
		DOC PART 000		SHEET NUMBER 2 OF 3	

9

8

7

6

5

4

3

2

1

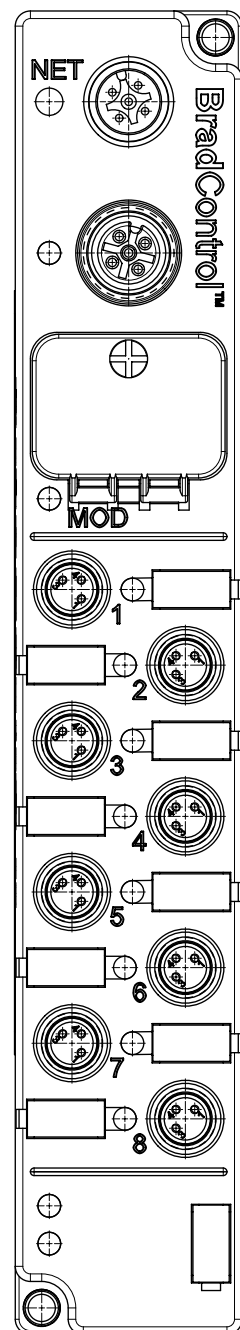
E

D

C

B

A



UNIVERSAL PRINTING

TABLE 1 UNIVERSAL PRINTING

POWER TYPE		INPUT / OUTPUT		DeviceNet		3D MODEL NO.
				ENG.NO.	MOLEX P/N	
M12 5 POLE	NPN	8I	TBDDN-880N-804	1120920022	1120920008 (PDM)	
	PNP	8I	TBDDN-880P-804	1120920008		

QUALITY SYMBOLS	THIS DRAWING CONTAINS INFORMATION THAT IS PROPRIETARY TO MOLEX INCORPORATED AND SHOULD NOT BE USED WITHOUT WRITTEN PERMISSION										
▽ = 0	EC DESCRIPTION EC NO: 111427 DRWN: ULETTENMEIER CHK'D: REV APPR: RSILLER 2016/12/13 2016/12/14	GENERAL TOLERANCES (UNLESS SPECIFIED)		DIMENSION UNITS	SCALE						
▽ = 0		ANGULAR TOL ± °		MM	1:1						
▽ = 0		4 PLACES ±	DRWN BY		DATE		DBO DN 30 MM M12 4P MA AC M12 4P FE AC M8 3P 8PT FE				
▼ = 0		3 PLACES ±	ULETTENMEIER		2015/01/26						
▽ = 0		2 PLACES ±	CHK'D BY		DATE						
▽ = 0		1 PLACE ± 0.3	APPR BY		DATE		PRODUCT CUSTOMER DRAWING				
□ = 0		0 PLACES ± 0.5	RSILLER		2015/05/20		SERIES	MATERIAL NUMBER	CUSTOMER		
■ = 0		DRAFT WHERE APPLICABLE MUST REMAIN WITHIN DIMENSIONS	DRAWING SIZE		THIRD ANGLE PROJECTION		112092	SEE TABLE 1	GENERAL MARKET		
▽ = 0		A3	A3				DOCUMENT NUMBER		DOC TYPE	DOC PART	SHEET NUMBER
							1120920008	PSD	000	3 OF 3	

RELEASE STATUS	P1	RELEASE DATE	14.12.2016	17:27:02
----------------	----	--------------	------------	----------

9

8

7

6

5

4

3

2

1

E

D

C

B

A

9

8

7

6

5

4

3

2

1