

4

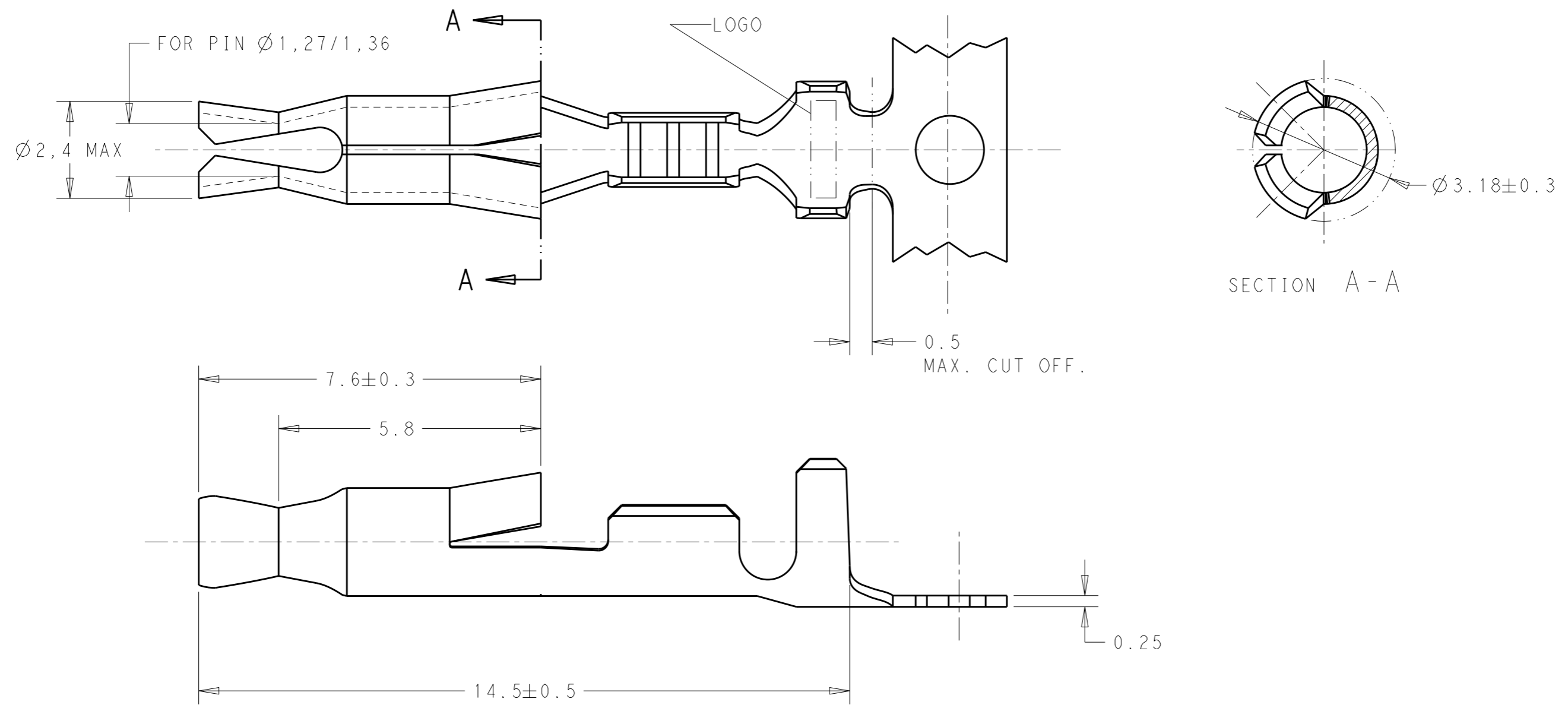
3

2


1

THIS DRAWING IS UNPUBLISHED. RELEASED FOR PUBLICATION 20
 © COPYRIGHT 20 ALL RIGHTS RESERVED.

LOC	DIST	REVISIONS			
P	LTR	DESCRIPTION	DATE	DWN	APVD
AP	-				
	J	REVISED BY ECO-11-020679	07FEB2012	HC	WLS



PRE-TIN PLATED	BRASS	925574-1
FINISH	MATERIAL	PART NUMBER

THIS DRAWING IS A CONTROLLED DOCUMENT.		DWN H.C. CANTERI 20SEP2011	 TE Connectivity	
DIMENSIONS: mm		CHK W.L. STEFANI 20SEP2011		
TOLERANCES UNLESS OTHERWISE SPECIFIED:		APVD -	NAME RTV SOCKET (FOR 1,3mm. DIA. PIN)	
0 PLC \pm		PRODUCT SPEC -	RESTRICTED TO -	
1 PLC $\pm 0,3$		APPLICATION SPEC -	SIZE A3	CAGE CODE 00779
2 PLC $\pm 0,3$		WEIGHT -	DRAWING NO C-925574	
3 PLC \pm		CUSTOMER DRAWING	SCALE 10/1	SHEET 1 OF 1
4 PLC \pm				REV J
ANGLES $\pm 1^\circ$				
FINISH SEE TABLE				