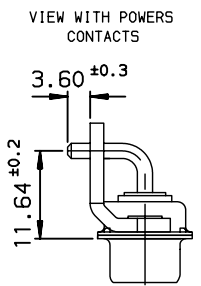
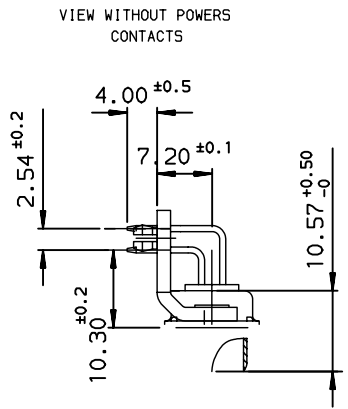
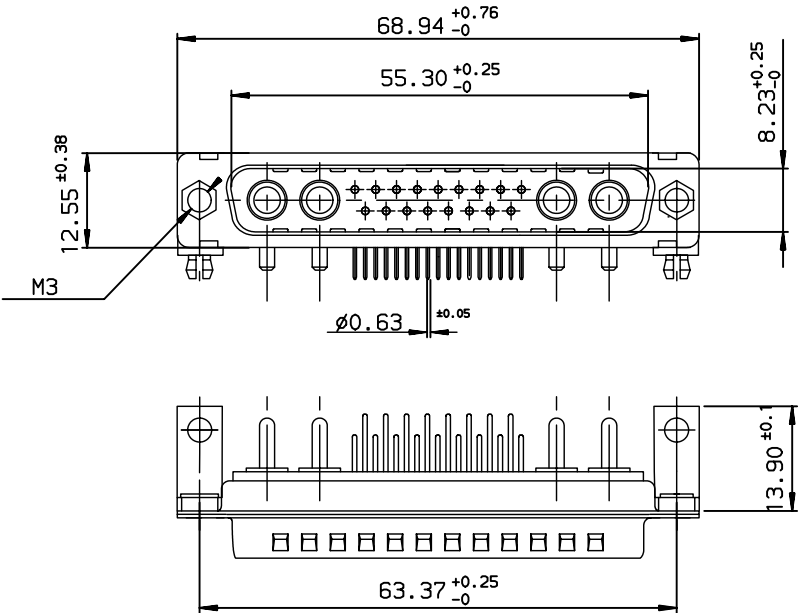
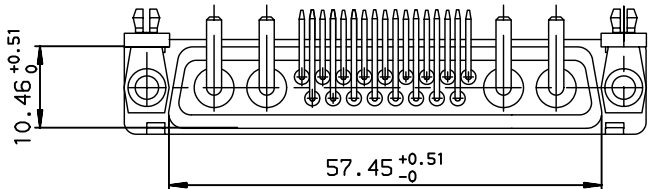


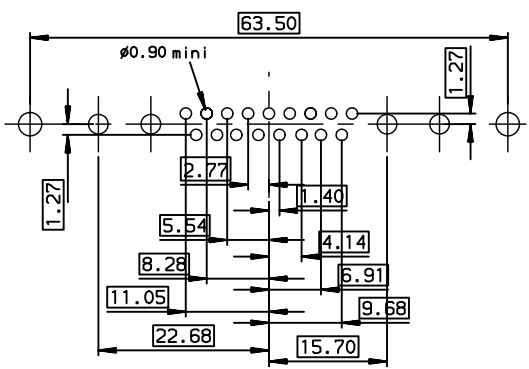
GENERAL CHARACTERISTICS : SEE DRAWING C01-8639-0000



DCL21WA4P500G30
DCL21WA4P500G40
PART NUMBER



LAYOUT DIMENSIONS (after plating)  
CONNECTOR SIDE VIEW



rev	ecn no	dr	date
B	-	CJA	2003/10/16
C	LS07-0250	MPE	2007/10/04
-	-	-	-
-	-	-	-
-	-	-	-
-	-	-	-

www.fciconnect.com		surface ISO 1302 ✓	tolerance std ISO 406 ISO 1101	projection mm
TOLERANCES UNLESS OTHERWISE SPECIFIED				
Dr	JARRY	2003/10/16	ANGULAR	LINEAR
Eng	JARRY	2003/10/16	0.X	±0.1
Chr	LEGARE	2003/10/16	0.XX	±0.1
Appr	LEGARE	2003/10/16	0.XXX	±0.1
Product family			SUB	Spec ref -
title <b>PINS CRS RIGHT ANGLED</b> WITH POWERS CONTACTS			dwg no <b>C01-8639-0460</b>	Rev. <b>C</b>
catalog no			CUSTOMER	sheet 1 of 1

Copyright FCI. FCI

REV F - 2006-04-17