



Active current transducer

G2IA15A 4...20mA
Part No. 2390710

GAMMA series

Active current measuring

Analog output 4...20mA

Suitable for VFI (10 to 400Hz)

Zoom voltage 24V to 240V d.c. and 48V to 240V a.c.

Width 22.5mm

Industrial design



Technical data

1. Functions

Active current measuring with analog output 4 ... 20mA and the following settings (selectable by means of rotary switch):

Zero	setting of zero point (0%, 25%, 50%, 75% of nominal value)
Zero Fine	fine setting of zero point (0% ... 25% of nominal value)
Span	span (100%, 75%, 50%, 25% of nominal value)
Range	measuring range reversible between 5A, 10A, 15A

2. Indicators

Green LED U ON: indication of supply voltage
Yellow LED's: indication of measured value

3. Mechanical design

Self-extinguishing plastic housing, IP rating IP40
Mounted on DIN-Rail TS 35 according to EN 60715
Mounting position: any
Shockproof terminal connection according to VBG 4 (PZ1 required), IP rating IP20
Tightening torque: max. 1Nm
Terminal capacity:
1 x 0.5 to 2.5mm² with/without multicore cable end
1 x 4mm² without multicore cable end
2 x 0.5 to 1.5mm² with/without multicore cable end
2 x 2.5mm² flexible without multicore cable end

4. Input circuit

Supply voltage: 24V to 240V d.c.
48V to 240V a.c.
Terminals: A1-A2 (galvanically separated)
Tolerance:
48V to 240V a.c. -15% to +10%
24V to 240V d.c. -20% to +25%
Rated frequency:
48 to 400Hz 48V to 240V a.c.
Rated consumption: 2.5VA (1.5W)
Duration of operation: 100%
Reset time: 500ms
Ripple and noise: -
Drop-out voltage: >30% of supply voltage
Overvoltage category: III (in accordance with IEC 60664-1)
Rated surge voltage: 4kV

5. Output circuit

1 analog output 4...20mA
Terminals: X1(+) - X2(-)
Settling time: <1s
Burden: max. 500Ω
Galvanic isolation: 3kV d.c.

6. Measuring circuit

Measuring range I_N: 5A, 10A and 15A selectable current; terminals i-k
Measuring input: optional
Wave form: optional
Frequency range: 10 to 400Hz
Overload capacity: 20A permanent
Input resistance: <10mΩ
Overvoltage category: III (in accordance with IEC 60664-1)
Rated surge voltage: 4kV

7. Accuracy

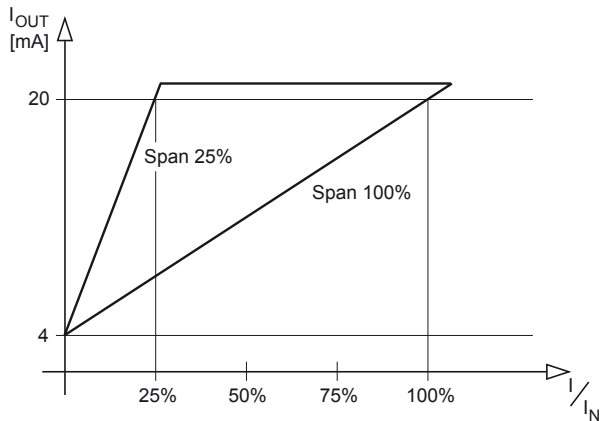
Base accuracy: ±2% (of maximum scale value)
Frequency influence: ±0.025% / Hz
Voltage influence: -
Temperature influence: ≤0.05% / °C

8. Ambient conditions

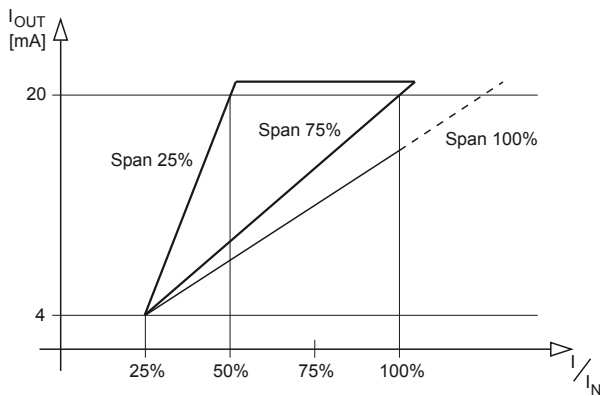
Ambient temperature: -25 to +55°C
(in accordance with IEC 60068-1)
-25 to +40°C (in accordance with UL 508)
Storage temperature: -25 to +70°C
Transport temperature: -25 to +70°C
Relative humidity: 15% to 85%
(in accordance with IEC 60721-3-3 Klasse 3K3)
Pollution degree: 3 (in accordance with IEC 60664-1)
Vibration resistance: 10 to 55Hz 0.35mm
(in accordance with IEC 60068-2-6)
Shock resistance: 15g 11ms
(in accordance with IEC 60068-2-27)

Functions

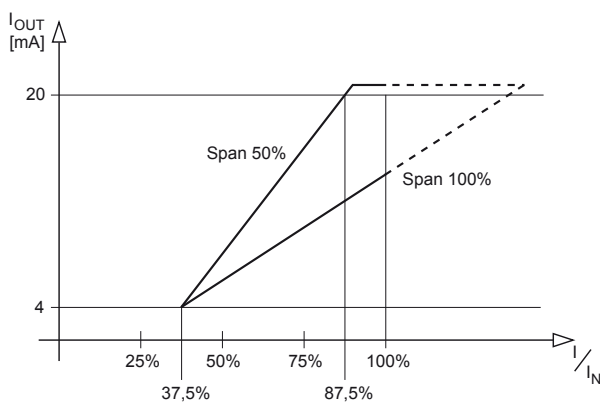
Zero = 0% / Span = 25% ; Zero = 0% / Span = 100%



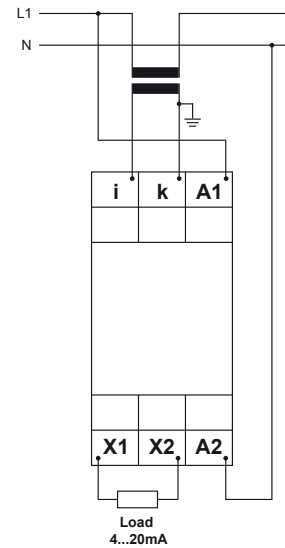
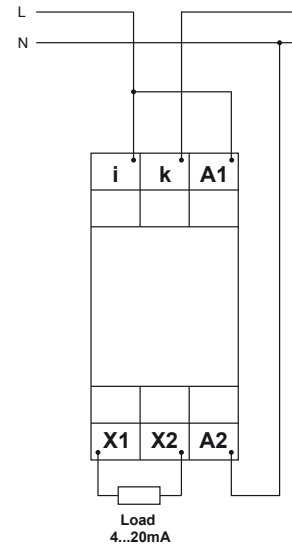
Zero = 25% / Span = 25% ; Zero = 25% / Span = 75%



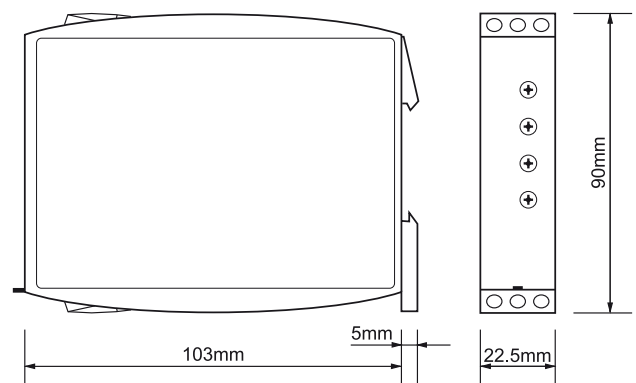
Zero = 37,5% / Span = 50% ; Zero = 37,5% / Span = 100%



Connections



Dimensions



TELE Haase Steuergeräte Ges.m.b.H.
Vorarlberger Allee 38
AT-1230 Vienna, AUSTRIA

RELEASE 2017/01

Subject to alterations and errors

