

THIS DRAWING IS UNPUBLISHED.
VERTRAULICHE UNVEREFFENTLICHTE ZEICHNUNG

RELEASED FOR PUBLICATION
FREI FUER VEREFFENTLICHUNG
ALL RIGHTS RESERVED.
ALLE RECHTE VORBEHALTEN

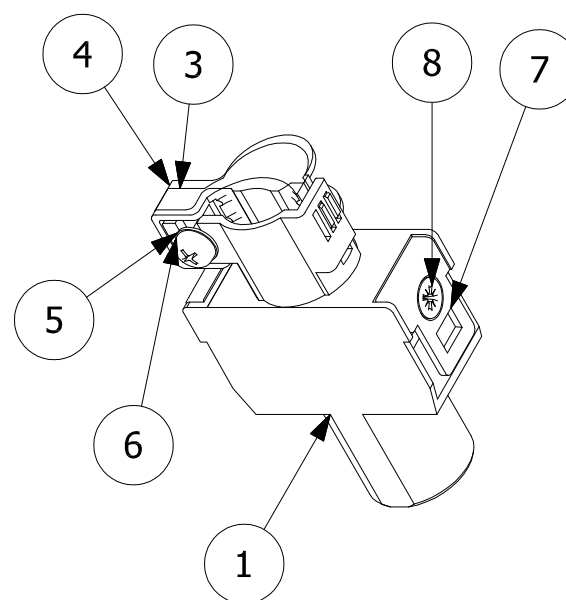
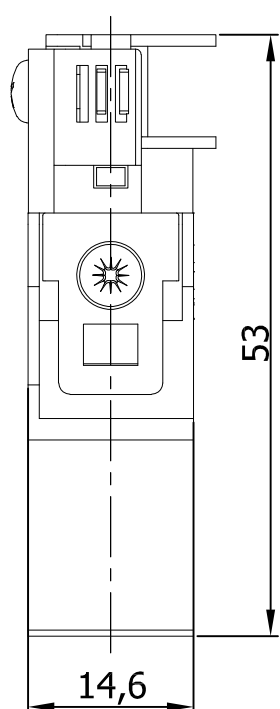
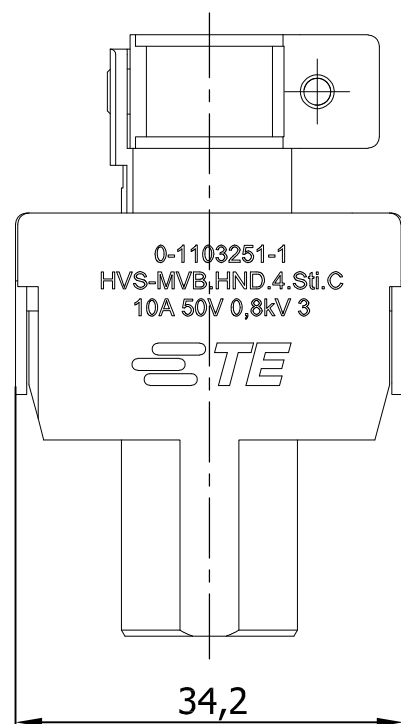
PROJEKT NR. **EGGMN 04410**

REVISIONS
AENDERUNGEN

P	LTR	DESCRIPTION BESCHREIBUNG	DATE	DWN	APVD
A		CONTACT ARRANGEMENT ADDED	ECR-06-022352	08-09-2006	SR AG
B		ECR-15-007885		14JUL2015	GSK JB

NOTES

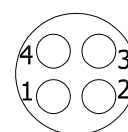
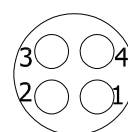
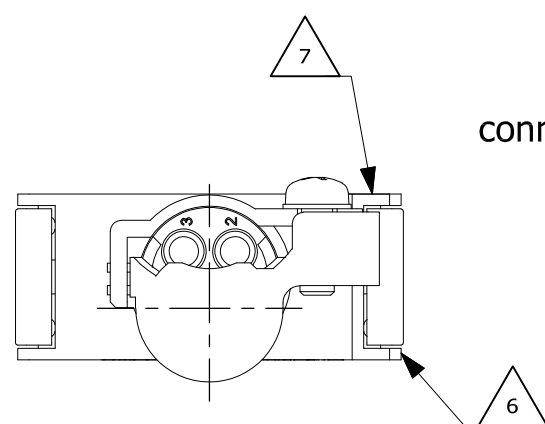
- 1 SUITABLE CRIMP CONTACTS: SERIES HN.D
CUSTOMER DRAWING: 1105050
OUTER DIMENSIONS OF INSULATION: MAX. Ø4 MM
- 2 SUITABLE MODULE FIXING FRAME: SERIES HVS SIZE 3 TO 8
CUSTOMER DRAWING: 1103250
- 3 SUITABLE INSERTION TOOL:
CUSTOMER DRAWING: 1102855
- 4 SUITABLE EXTRACTION TOOL:
CUSTOMER DRAWING: 1102855
- 5 STANDARDS:
DIN EN 61984; DIN EN 60664-1
- 6 POLARIZATION RIPS
- 7 MARKING OF POLARIZATION ACCORDING MARKING OF
MODULE FRAME
- 8. PACKAGING:
10 SETS IN A CARTON, PRE-MOUNTED



Contact arrangement

connecting side

termination side



QTY.	DESCRIPTION	MATERIAL	SURFACE	COLOR	NOTE	ITEM
2	COUNTER SUNK SCREW	Standard	-	-	-	8
2	MOUNTING PLATE	ZINC	-	-	-	7
1	SCREW	STEEL	-	-	ISO 7045 A2	6
1	SPRING WASHER, A3	STEEL	ZINC PLATED	-	DIN 137	5
1	CLOSING 3-6 MM	ZINC	-	-	-	4
1	CLOSING 6-9 MM	ZINC	-	-	-	3
1	CONTACT INSERT MALE	PA6.6-GF25	-	BLACK	-	2
1	MALE INSERT	ZINC ALLOY	-	-	-	1

PN 0-1 AS SHOWN

THIS DRAWING IS A CONTROLLED DOCUMENT. DIESE ZEICHNUNG IST EIN KONTROLLIERTES DOKUMENT.		DWN SCHNEIDER 16.02.2006	STE TE Connectivity		
DIMENSIONS: MASSE/MAEßEN: mm		CHK A.GAST 16.02.2006			
TOLERANCES UNLESS OTHERWISE SPECIFIED: ALLGEMEINTOLERANZEN		APVD T.SCHNURPFEIL 16.02.2006	NAME MALE INSERT HVS-MVB.4.STI.C		
n. ISO 8015 - n. ISO 2768 - n. DIN 16901-		PRODUCT SPEC PRODUKTSPEZ. 108-74078	DRAWING NO ZEICHNUNGS-NR. G-1103251		
0 PLC ± 1 PLC ± 2 PLC ± 3 PLC ± 4 PLC ± ANGLES/WINKEL ±		APPLICATION SPEC VERARBEITUNGSSPEZ. 114-74080	SIZE A3	CAGE CODE 00779	RESTRICTED TO NUR FUER -
MATERIAL -		FINISH/OBERFLAECHE/FARBE -	WEIGHT GEWICHT 0.035 KG	SCALE MASSSTAB 1:1	SHEET BLATT 1 OF VON 1
CUSTOMER DRAWING/KUNDENZEICHNUNG			SCALE	SHEET	REV B