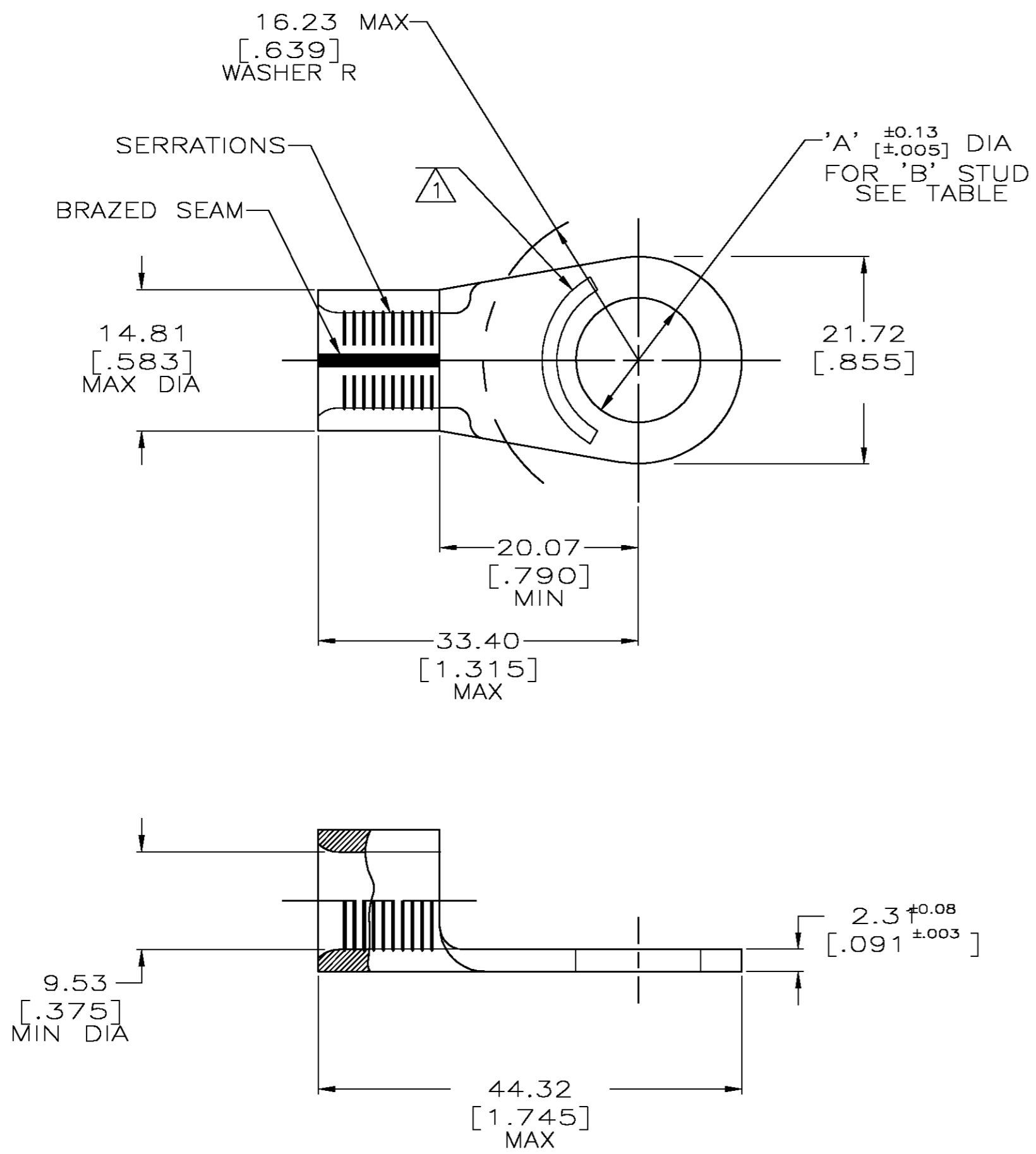


THIS DRAWING IS UNPUBLISHED. RELEASED FOR PUBLICATION  
 © COPYRIGHT BY TYCO ELECTRONICS CORPORATION. ALL RIGHTS RESERVED.

LOC	DIST	REVISIONS			
P	LTR	DESCRIPTION	DATE	DWN	APVD
G	14	L	REV PER 0G3A-0444-04	10JUN04	JR CK

<b>AMP</b> WIRE RANGE	Listed FILE E13288	LR7189 Certified
2HD AWG SOLID OR STRANDED	2HD AWG STRANDED	2HD AWG SOLID OR STRANDED



- ① STAMP AMP 2HDW\* APPROX AS SHOWN
- ② COPPER PER ASTM B-152, ANNEALED
- ③ 0.00254 [.000100] MIN TIN PER ASTM B-545

13.08 [.515]	1/2	1-331423-1
9.91 [.390]	3/8	1-331423-0
6.73 [.265]	1/4	331423-
'A'	'B'	PART NO

OBSELETE-

<b>AMP INCORPORATED CUSTOMER SERVICE SYSTEMS</b>		MAX RECOMMENDED OPERATING TEMPERATURE: 170° C
FOR ADDITIONAL PRODUCT INFORMATION OR COPIES OF DRAWINGS AND TECHNICAL DOCUMENTS	PRODUCT INFORMATION CENTER 1-800-522-6752	VOLTAGE RATING: N/A
FOR APPLICATION TOOLING INFORMATION	TOOLING ASSISTANCE CENTER 1-800-722-1111	CIRCULAR MIL AREA: 26.7-42.4mm <sup>2</sup> [52,600-83,700] SOLID OR STRANDED
FOR ORDER ENTRY	1-800-526-5142	THIS DRAWING IS A CONTROLLED DOCUMENT FOR AMP INCORPORATED. IT IS SUBJECT TO CHANGE AND THE CONTROLLING ENGINEERING ORGANIZATION SHOULD BE CONTACTED FOR THE LATEST REVISION.

THIS DRAWING IS A CONTROLLED DOCUMENT.		DWN DK SCHRUM 8/6/93		Tyco Electronics Corporation Harrisburg, Pa 17105-3608		
DIMENSIONS: MM [INCHES]		CHK AJ KAUFMAN 8/9/93		NAME		
TOLERANCES UNLESS OTHERWISE SPECIFIED:		APVD JL MECKLEY 8/9/93		TERMINAL, RING TONGUE, SOLISTRAND		
0 PLC ± - 1 PLC ± - 2 PLC ± 0.20[.008] 3 PLC ± - 4 PLC ± - ANGLES ± -		PRODUCT SPEC - APPLICATION SPEC - WEIGHT -		SIZE A2	CAGE CODE 00779	DRAWING NO C=331423
MATERIAL - ②	FINISH - ③	CUSTOMER DRAWING	SCALE 2:1	SHEET 1 OF 1	REV L	

331423