



Hirose ZX62W Series Handling Precautions

1. Anti-Wrenching Strength

Wrenching in vertical direction induces peeling off from PCB, and that in horizontal direction induces mold breakage. Supporting the connector opening surface is recommended.

(See Figure 1)

2. Drop Impact

When mated device is dropped on the ground with the plug side downward, drop impact will directly delivered to the receptacle. Therefore supporting receptacle rear side by chassis is recommended.

(See Figure 1)

3. Plug Angled Insertion (ZX62WD1-B-5PC)

Angled inserted plug touches to the receptacle rib and could causes connector damage. To prevent this failure, plug has to be inserted straight to the receptacle. Please suggest customers to provide guide structure onto the chassis.

(See Figure 1 & 2)

Bell mouth for prevention of Plug Angled Insertion

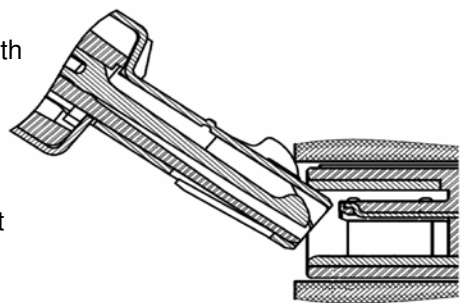
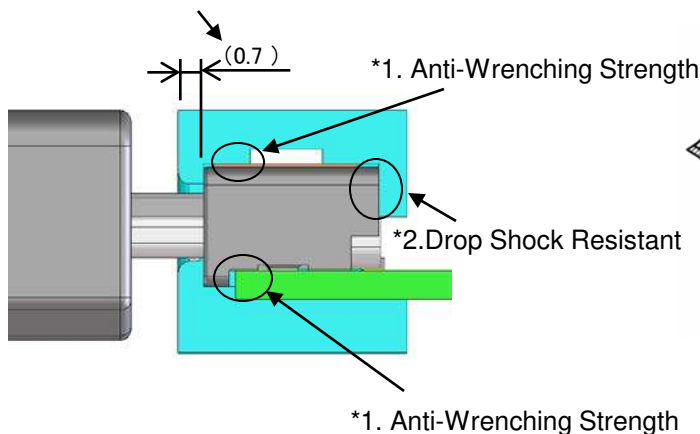


Figure 1 : Reference Dimension of Guide Structure

Figure 2 : Angled Plug Insertion

•Holding the connector by chassis helps to increase anti-wrenching strength as well as robustness against drop impact.